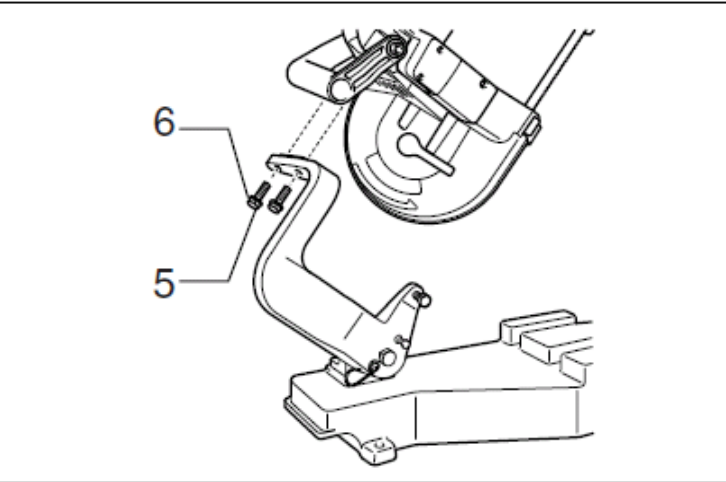


Item No.	Type Part No.	Description	Qty	Unit
F07	252130-5	HEX LOCK NUT	1	PC.
F08	921451-3	HEX BOLT M8 X 30	2	PC.
F09	941202-8	FLAT WASHER 8	2	PC.
F10	311909-4	BRACKET TYPE 2	1	PC.
F11	265529-5	HEX BOLT M8 X 40	1	PC.
F12	310155-6	ARM	1	PC.
F13	322049-3	HOOK	1	PC.
F14	911323-0	P.H. SCREW M6 X 16	1	PC.
F15	941252-3	FLAT WASHER 10	1	PC.
F16	251653-0	HEX BOLT M10 X 80	1	PC.
F17	265529-5	HEX BOLT M8 X 40	1	PC.
F18	231297-2	SPRING	1	PC.
F19	322199-4	STOPPER PIN	1	PC.
F20	310156-4	BASE	1	PC.
F21	259012-2	SNAP PIN 10	1	PC.
F22	256926-6	ROD	1	PC.
F23	951163-4	SPRING PIN 5-20	1	PC.
F24	259012-2	SNAP PIN 10	1	PC.
F25	311826-8	CHAIN HOOK	1	PC.
F26	225514-0	CHAIN	1	PC.
F27	151305-2	HANDLE COM.	1	PC.

Fig. 3



**How to install the tool on the stand**

Place the tool on the fit surface of the arm of the stand unit so that the holes in the tool for installation meet those in the arm. Secure it by firmly tightening two tool installation bolts with washers. (Fig. 3)

**Squaring the saw blade**

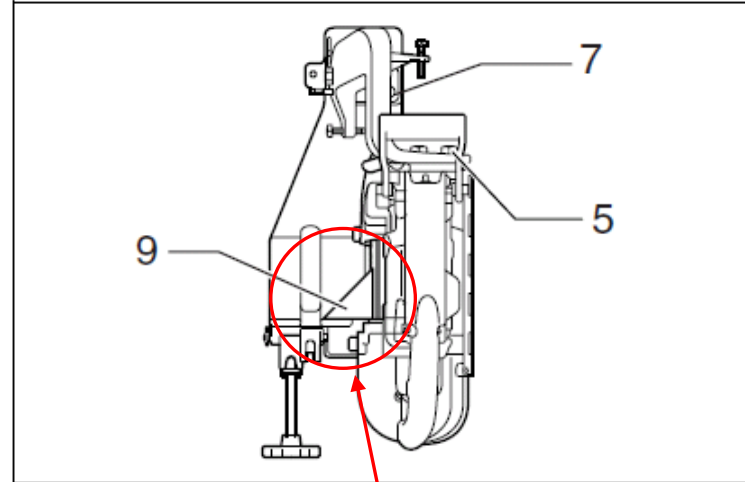
**WARNING:**

Always make sure that the tool is switched off and unplugged before squaring the saw blade with the base surface.

**Squaring saw blade with the vise surface**

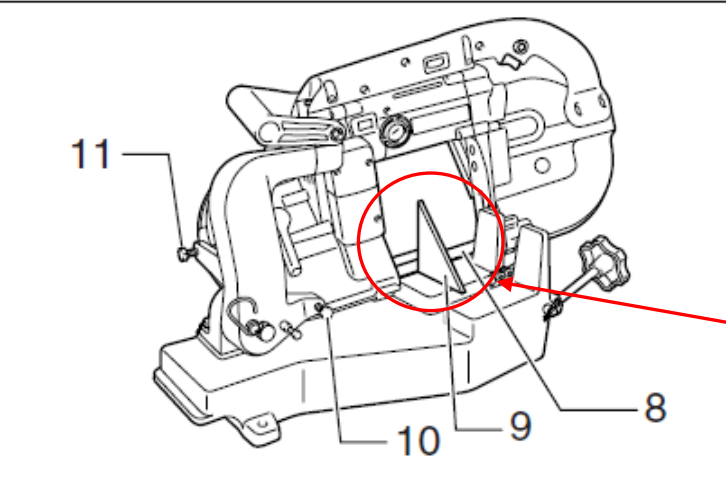
Loosen two hex bolts and square saw blade with the vise surface using the triangular rule. After squaring, tighten the two bolts firmly. (Fig. 4)

Fig. 4



When install, it should be 90 degree angle

Fig. 5



**Squaring saw blade with the base top surface**

Loosen two bolts that secure the tool with the provided socket wrench and square the saw blade with the base top surface using triangular rule by tightening the adjusting hex bolt on the left side of the arm.

After squaring, re-tighten the two bolts firmly. Tighten, in addition, the supporting hex bolt in the front right side of arm to hold the tool firmly until it comes into contact with a part of the tool. (Fig. 5)

When install, it should be 90 degree angle