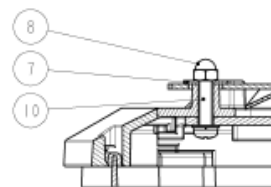
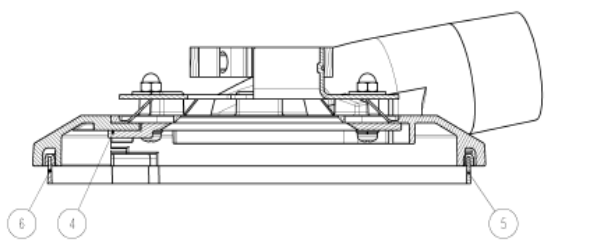
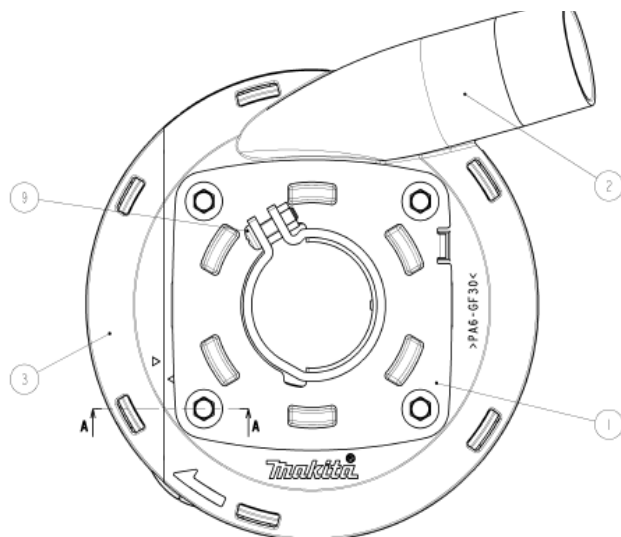




06 - 2012
 Part No.195236-5
 DUST COLLECTOR COVER SET 5"

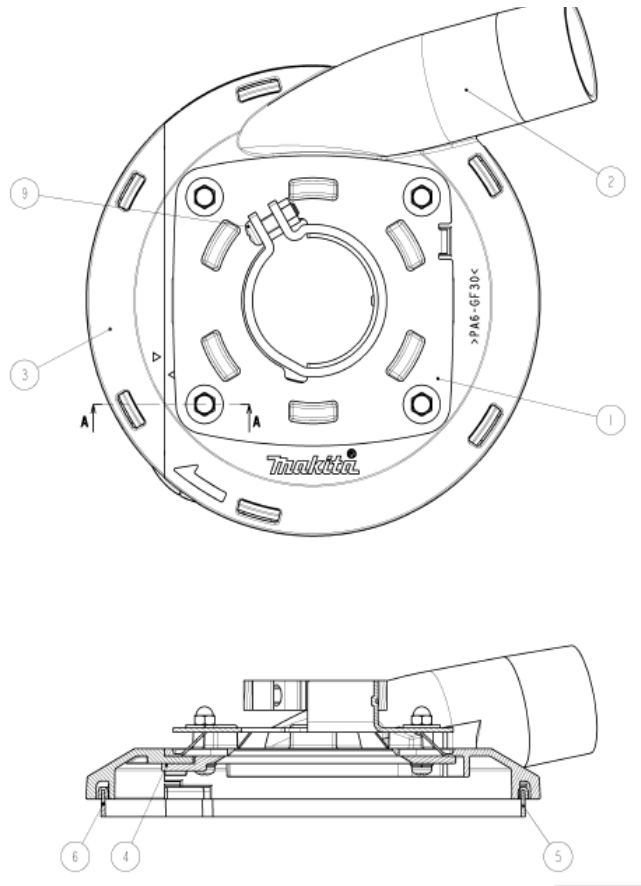


SEC.A-A

Item No.	Type	Ref	Part No.	Description	Qty	Unit
001			165596-9	SET PLATE	1	PC.
002			451767-7	COVER	1	PC.
003			451765-1	SUPPORT COVER	1	PC.
004			451766-9	PLATE	1	PC.
005			743332-9	BRUSH A	1	PC.
006			743333-7	BRUSH B	1	PC.
007			267102-7	FLAT WASHER 4	4	PC.
008			252096-9	HEX. CAP NUT M4	4	PC.
009			265180-1	PAN HEAD SCREW M5X16	1	PC.
010			911531-3	P.H.SCREW M4X18 WITH WRM	4	PC.



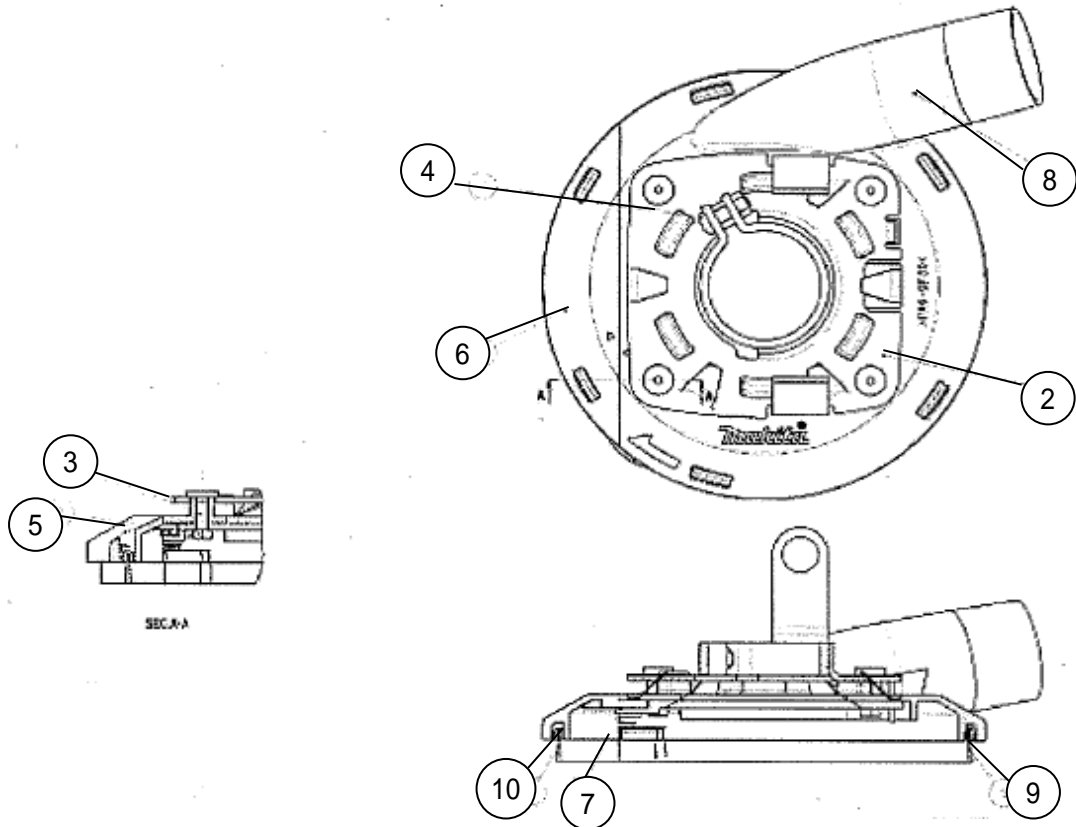
02-2017
 Part No.196575-6
 DUST COLLECTION COVER 4-1/2" - 5"



Item No	Type	Sub	Part No	Description	Qty	Unit
001			165595-1	SET PLATE K	1	PC.
002			451767-7	COVER	1	PC.
003			451765-1	SUPPORT COVER	1	PC.
004			451766-9	PLATE	1	PC.
005			743332-9	BRUSH A	1	PC.
006			743333-7	BRUSH B	1	PC.
007			267102-7	FLAT WASHER 4	4	PC.
008			252096-9	HEX CAP NUT M4	4	PC.
009			265180-1	PAN HEAD SCREW M5X16	1	PC.
010			911531-3	P.H.SCREW M4X18 WITH WASHER	4	PC.



05 - 2015
 Part No.196587-9
 DUST COVER COLLECTOR SET F/4-1/2"-5"



Item No.	Type Sub	Part No.	Description	Qty	Unit
002		165739-3	SET PLATE - Not available individually	1	PC.
003		252176-1	HEX NUT M4	4	PC.
004		265180-1	PH SCREW M5X16	1	PC.
005		266727-4	HEX BOLT M4X15	4	PC.
006		451765-1	SUPPORT COVER	1	PC.
007		451766-9	PLATE	1	PC.
008		451767-7	COVER	1	PC.
009		743332-9	BRUSH A	1	PC.
010		743333-7	BRUSH B	1	PC.