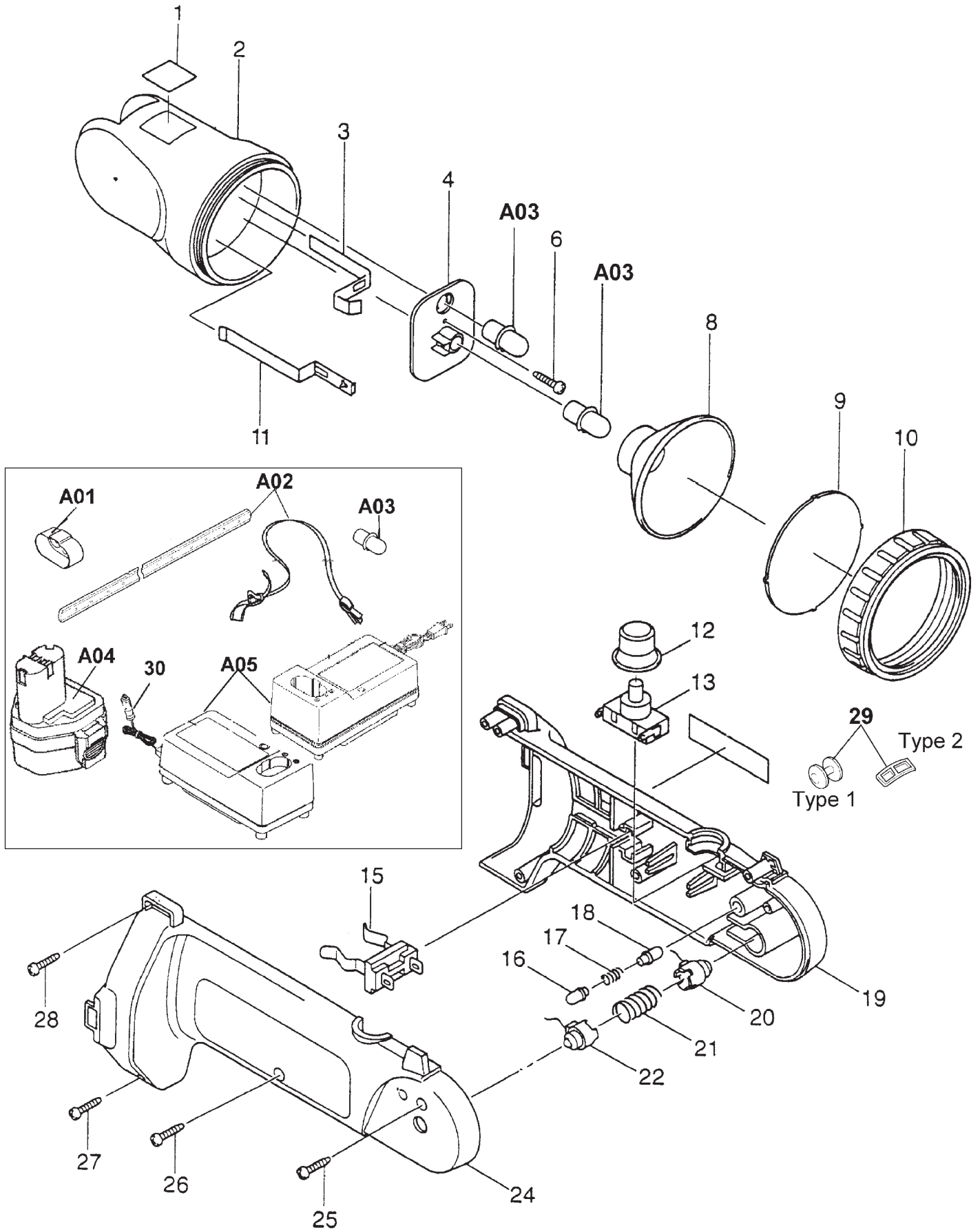




10 - 2010
ML180
18V FLASHLIGHT



Item No.	Type	Sub	Part No.	Description	Qty	Unit
1			819088-7	LABEL	1	PC.
2			GM00000020	HEAD	1	PC.
3			GM00000110	BULB CONTACT PLATE (+)	1	PC.
4			GM00000080	PROTECTOR F/CONTACT	1	PC.
6			GM00000150	SCREW 3X12	1	PC.
8			GM00000130	REFLECTOR	1	PC.
9			GM00000070	LENS	1	PC.
10			GM00000010	REFLECTOR RETAINER	1	PC.
11			GM00000120	BULB CONTACT PLATE (-)	1	PC.
12			421540-9	COVER	1	PC.
13			GM00000200	SWITCH	1	PC.
15			643926-9	BATTERY HOLDER	1	PC.
16			415811-4	KNOCK SHAFT	1	PC.
17			GM00000090	COMPRESSION SPRING 4	1	PC.
18			415811-4	KNOCK SHAFT	1	PC.
19			GM00000180	HOUSING (L)	1	PC.
20			632523-6	PIVOT TERMINAL UNIT L	1	PC.
21			GM00000100	COMPRESSION SPRING 7	1	PC.
22			632524-4	PIVOT TERMINAL UNIT R	1	PC.
24			GM00000190	HOUSING (R)	1	PC.
25			265869-1	SCREW	1	PC.
26			265869-1	SCREW	1	PC.
27			265869-1	SCREW	1	PC.
28			265869-1	SCREW	1	PC.
29	1		415812-2	HOOK BUTTON (Use with Item No. A02 Type1) - N/L/A	2	PC.
	2		345261-8	HOOK PLATE (Use with Item No. A02 Type2)	2	PC.
30			655000-B	CIGARETTE LIGHTER PLUG	1	PC.
<u>ACCESSORIES</u>						
A01			414938-7	BATTERY COVER	1	PC.
A02			415813-0	STRAP (Use with Item No.29 Type1)	1	PC.
			417926-3	STRAP (Use with Item No.29 Type2)	1	PC.
A03			A-90261	BULB SET (2PCS/SET)	1	SET
A04			192827-3	18V NI-CAD BTTRY 1822	1	PC.
			193159-1	18V NI-MH BTTRY 1834	1	PC.
			193140-2	18V NI-MH BTTRY 1835	1	PC.
A05			DC1804	CHARGER DC1804	1	PC.
			DC1822	AUTOMOTIVE CHARGER DC1822	1	PC.