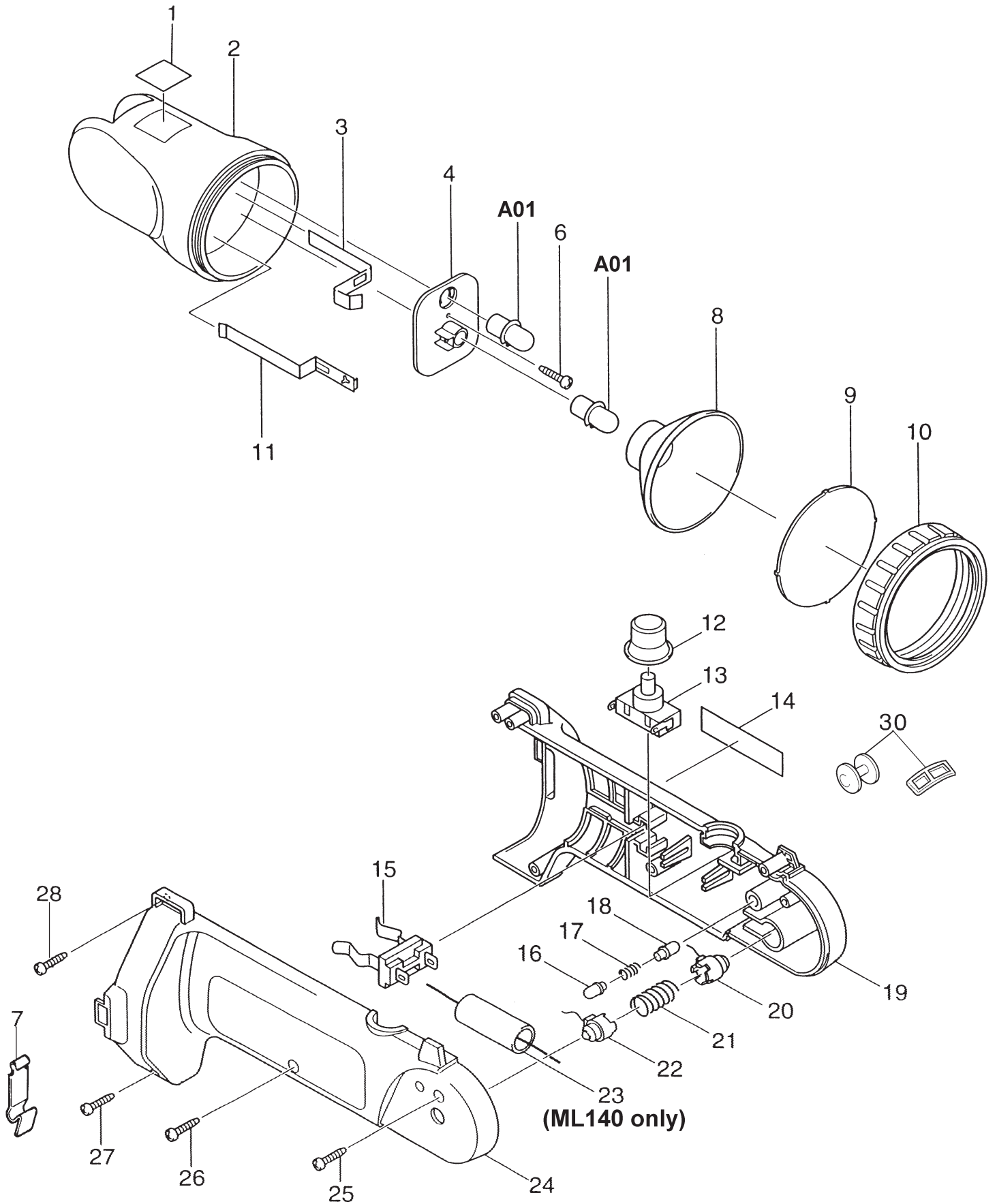




10 - 2010
ML120 - 12V FLASHLIGHT
ML140 - 14V FLASHLIGHT



Item No.	Type	Sub	Part No.	Description	Qty	Unit
001			819088-7	LABEL	1	PC.
002			GM00000020	HEAD	1	PC.
003			GM00000110	BULB CONTACT PLATE (+)	1	PC.
004			GM00000080	PROTECTOR F/CONTACT	1	PC.
006			GM00000150	SCREW 3X12	1	PC.
008			GM00000130	REFLECTOR	1	PC.
009			GM00000070	LENS	1	PC.
010			GM00000010	REFLECTOR RETAINER	1	PC.
011			GM00000120	BULB CONTACT PLATE (-)	1	PC.
012			421540-9	COVER	1	PC.
013			651709-3	SWITCH	1	PC.
014			859520-9	NAME PLATE F/ML120	1	PC.
014			859522-5	NAME PLATE F/ML140	1	PC.
015			643926-9	BATTERY HOLDER	1	PC.
016			415811-4	KNOCK SHAFT	1	PC.
017			GM00000090	COMPRESSION SPRING 4	1	PC.
018			415811-4	KNOCK SHAFT	1	PC.
019			GM00000040	HOUSING L (ML120)	1	PC.
			GM00000060	HOUSING L (ML140)	1	PC.
020			632523-6	PIVOT TERMINAL UNIT L	1	PC.
021			GM00000100	COMPRESSION SPRING 7	1	PC.
022			632524-4	PIVOT TERMINAL UNIT R	1	PC.
023			GM00000140	REGISTER SET (ML140)	1	PC.
024			GM00000030	HOUSING R (ML120)	1	PC.
			GM00000050	HOUSING R (ML140)	1	PC.
025			265869-1	SCREW	1	PC.
026			265869-1	SCREW	1	PC.
027			265869-1	SCREW	1	PC.
028			265869-1	SCREW	1	PC.
029			655000-B	CIGARETTE LIGHTER PLUG	1	PC.
030	2		345261-8	HOOK PLATE (Use with Item No. A02 Type2)	2	PC.
<u>ACCESSORIES</u>						
A01			A-90233	BULB SET, 2PC/SET	1	SET
A02	2		417926-3	STRAP (Use with Item No. 30 Type2)	1	PC.
A03			414938-7	BATTERY COVER	1	PC.
A04			192681-5	12V NI-CAD BTTRY 1220	1	PC.
			193157-5	12V NI-MH BTTRY 1234	1	PC.
			192600-1	14.4V NI-CAD BTTRY 1422	1	PC.
A05	2		DC1804	CHARGER DC1804	1	PC.
A06			343579-1	SET PLATE (ML120)	1	PC.