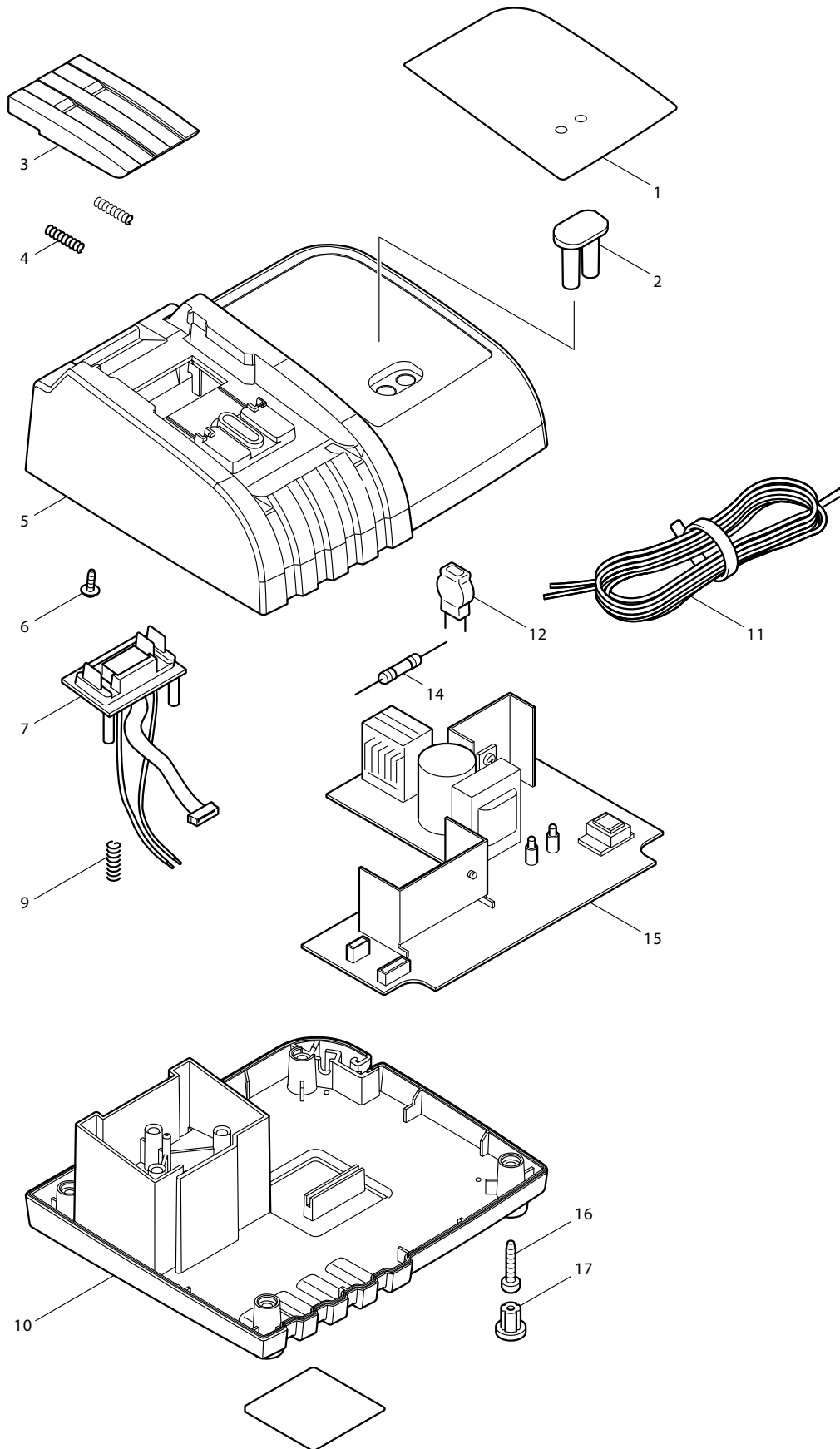




05 - 2008

DC18SD

DC18SD CHARGER (NO FAN)



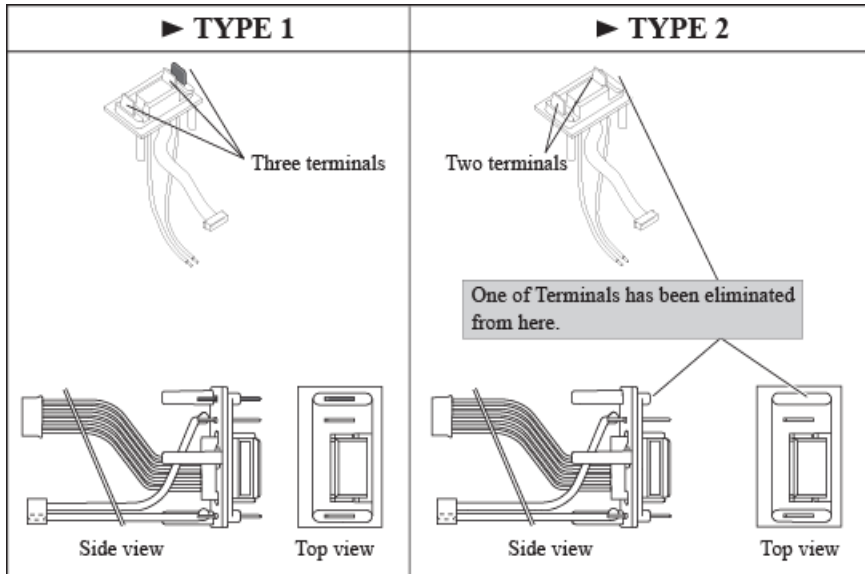
Item No	Type	Ref	Re Part No	Description	Qty	Unit
001	1		806355-9	CHARGING CONDITION LABEL	1	PC.
	2		816W96-7	CHARGING CONDITION LABEL	1	PC.
002			418175-5	ACRYLIC PIN	1	PC.
003	2		455546-5	* TERMINAL COVER	1	PC.
004			231474-6	COMPRESSION SPRING 4	2	PC.
005			158598-2	CHARGER CASE COMPLETE INCLUDES ITEM NO. 2	1	PC.
006			266278-7	TAPPING SCREW FLANGE BT3X10	1	PC.
007			638602-8	* TERMINAL UNIT	1	PC.
009			233194-8	COMPRESSION SPRING 4	1	PC.
010			450346-8	CHARGER CASE COVER	1	PC.
011			667982-5	VINYL CORD #18-2-2.0	1	PC.
012			647321-5	VARISTOR	1	PC.
014			652779-5	FUSE	1	PC.
015			631805-3	CHARGING CIRCUIT Item No. 12, 14	1	PC.
		INC.				
016	2		265B01-9	TAPPING SCREW BT 4X20	4	PC.
017			286255-3	CAP 13	4	PC.
018			864446-2	NAME PLATE F/DC18SD	1	PC.
E01			810359-5	CAUTION LABEL	1	PC.
E02			810K36-5	CAUTION LABEL	1	PC.

SERVICE CHANGE

1. CHANGE ON TERMINAL

(TI#97786)

Item No.	DESCRIPTION	TYPE1	TYPE2
007	TERMINAL	638602-8	638602-8

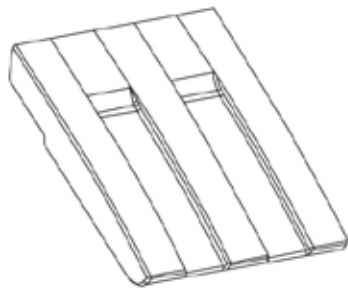


2. CHANGE ON TERMINAL COVER

(TI#A8353)

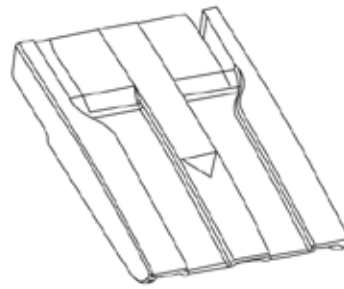
Item No.	DESCRIPTION	TYPE1	TYPE2
003	TERMINAL COVER, CLEAR>BLUE	419569-7	455546-5

Type 1



Color: Clear

Type 2



Color: Makita-blue

