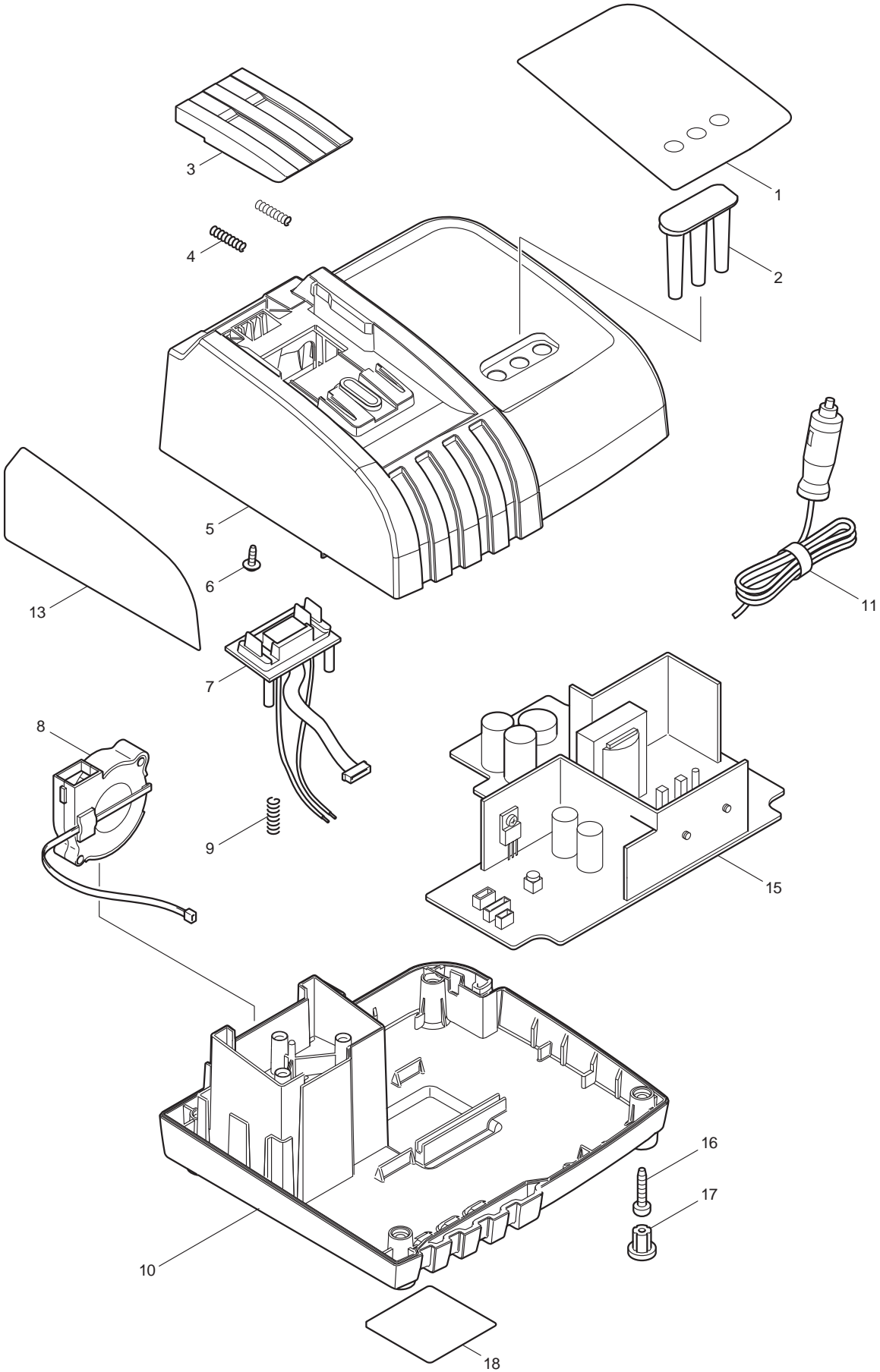




07 - 2008
DC18SE
12V AUTOMOTIVE CHARGER

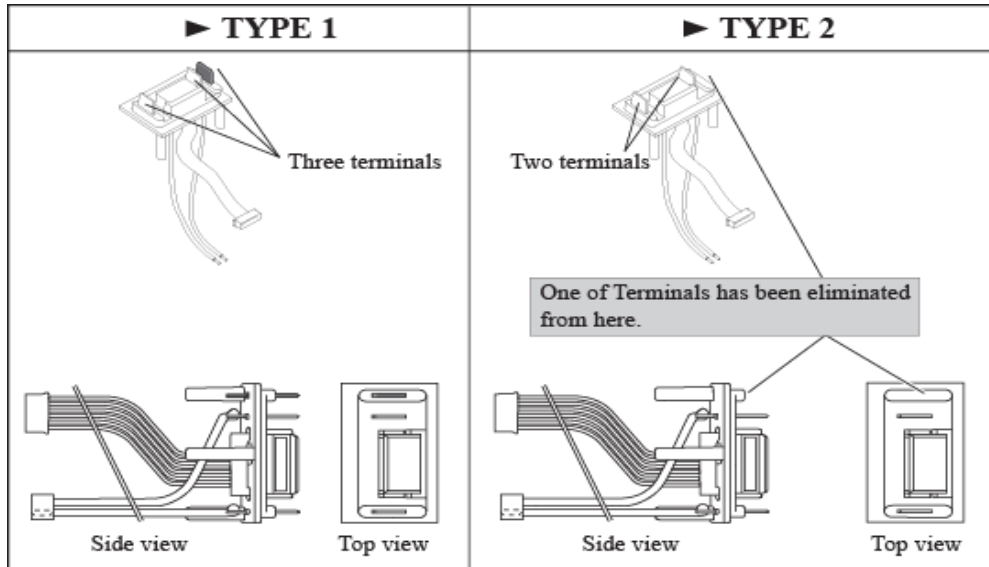


Item No	Type	Ref	Ref Part No	Description	Qty	Unit
001			807531-8	CHARGING CONDITION LABEL	1	PC.
002			419570-2	ACRYRIC PIN	1	PC.
003	2		455546-5	* TERMINAL COVER, BLUE	1	PC.
004			231474-6	COMPRESSION SPRING 4	2	PC.
005	1		188609-9	CHARGER CASE SET, BLUE	1	SET
		INC.	-----	Item No. 2, 13		
	2		183C81-8	CHARGER CASE SET, BLACK	1	SET
		INC.	-----	Item No. 2, 13		
006			266278-7	TAPPING SCREW FLANGE BT3X10	1	PC.
007			638602-8	* TERMINAL UNIT	1	PC.
008			638499-5	SCIROCCO FAN	1	PC.
009			233194-8	COMPRESSION SPRING 4	1	PC.
010			419567-1	CHARGER CASE COVER	1	PC.
011	2		667720-5	POWER SUPPLY CORD W/CAR PLUG	1	PC.
013			810424-0	CAUTION LABEL	1	PC.
015			631826-5	CHARGING CIRCUIT	1	PC.
016	2		265B01-9	TAPPING SCREW BT 4X20	4	PC.
017			286255-3	CAP 13	4	PC.
018			865865-5	DC18SE NAME PLATE	1	PC.
100			652761-4	FUSE	1	PC.

SERVICE CHANGE

1. Change on Terminal

Item No.	DESCRIPTION	TYPE1	TYPE2
7	TERMINAL	638602-8	638602-8



PARTS NO. REMAIN THE SAME

2. Change of Terminal cover and Power supply cord

Item No.	DESCRIPTION	TYPE1	TYPE2
3	TERMINAL COVER, CLEAR > BLUE	419569-7	455546-5
11	POWER SUPPLY CORD W/CAR PLUG	667857-8	667720-5

