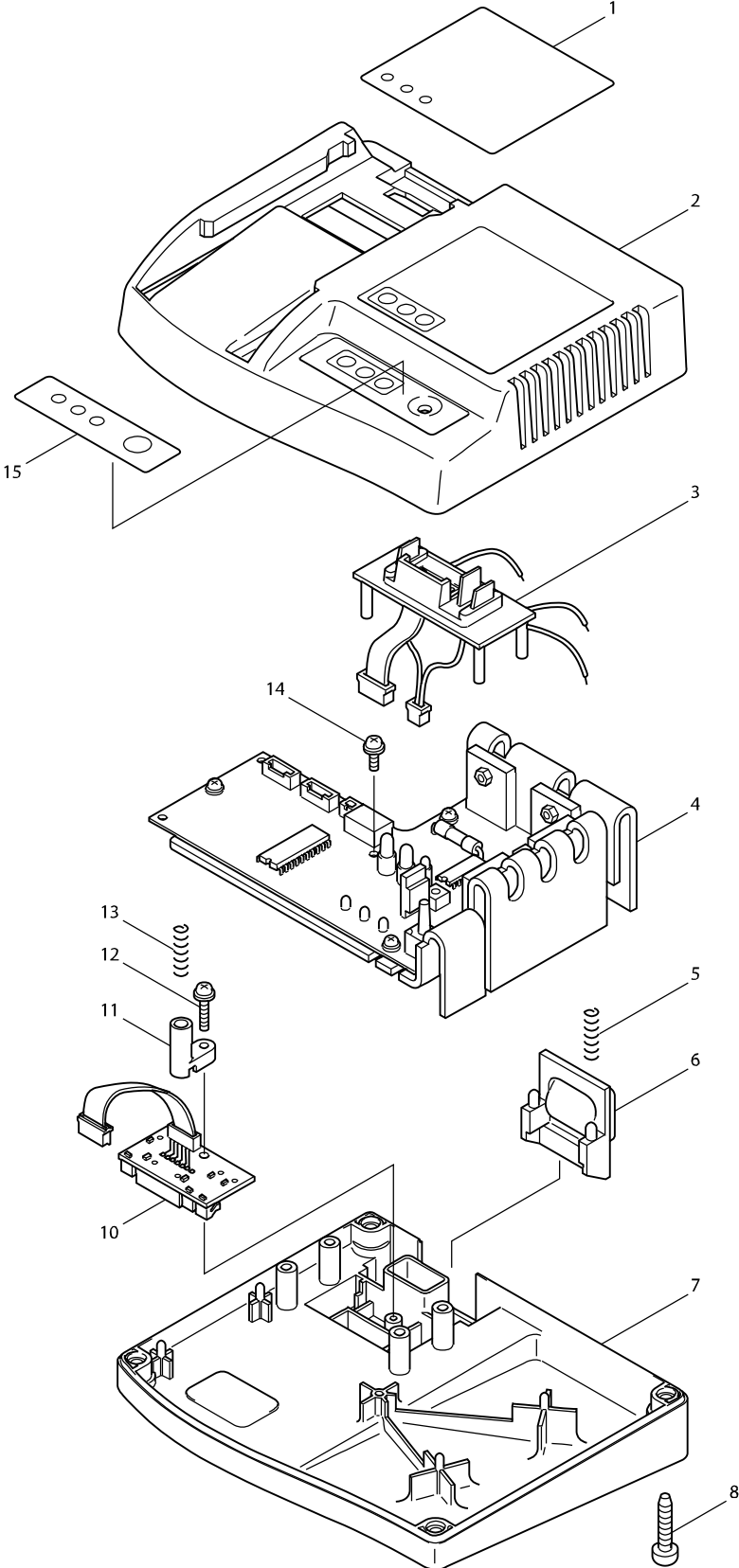
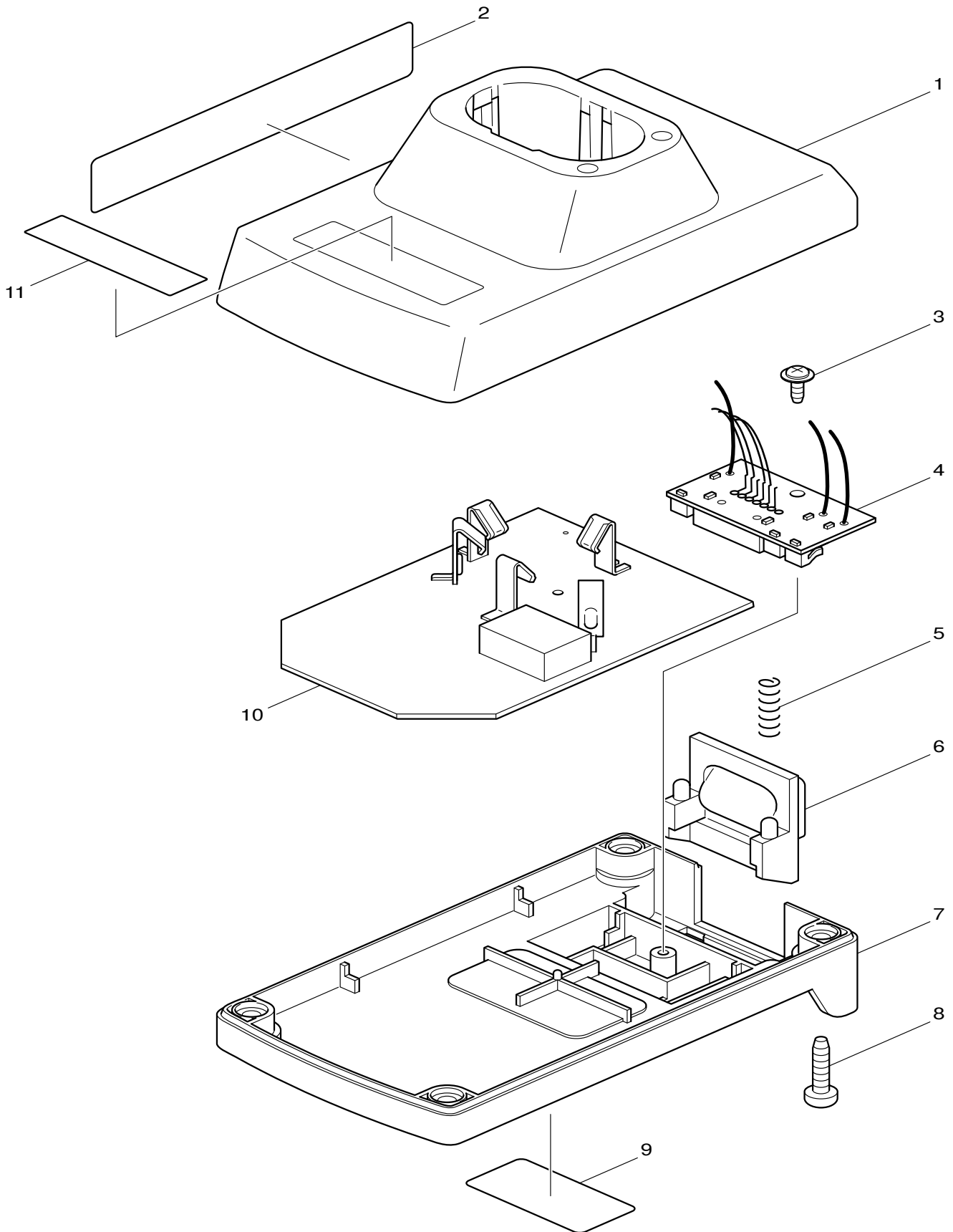


Model No. 193681-8 (ADP03) AUTOMATIC REFRESHING ADAPTER



Item No	Type	Ref	Part No	Description	Qty	Unit
001			853978-4	NAME PLATE F/ ADP03	1	PC.
002			183514-5	ADAPTER CASE	1	PC.
		INC.		Item No. 1, 15	1	PC.
003			638023-4	TERMINAL UNIT	1	PC.
004			631510-2	ADAPTER CIRCUIT	1	PC.
005			233194-8	COMPRESSION SPRING 4	2	PC.
006			417368-1	HOOK	1	PC.
008			265874-8	TAPPING SCREW BT M4X20	4	PC.
010			631418-0	TERMINAL BOARD	1	PC.
011			417412-4	SPRING HOLDER	1	PC.
012			266279-5	TAPPING SCREW FLANGE BT M3-16	1	PC.
013			233194-8	COMPRESSION SPRING 4	1	PC.
014			266278-7	TAPPING SCREW FLANGE BT M3X10	1	PC.
015			816391-7	INDICATION LABEL	1	PC.
E01			810062-8	CAUTION LABEL	1	PC.



Item No	Type	Ref	Part No	Description	Qty	Unit
001			188037-8	ADAPTER CASE SET	1	PC.
		INC.		Item No. 11		
002			810050-5	CAUTION LABEL	1	PC.
003			266278-7	TAPPING SCREW FLANGE BT3X10	1	PC.
004			631615-8	TERMINAL BOARD	1	PC.
005			233194-8	COMPRESSION SPRING 4	2	PC.
006			418609-8	HOOK	1	PC.
007			418607-2	ADAPTER CASE COVER	1	PC.
008			265874-8	TAPPING SCREW BT 4X20	4	PC.
010			631616-6	ADAPTER CIRCUIT	1	PC.
011			819063-3	MAKITA LABEL	1	PC.
A01			802375-1	CAUTION LABEL	1	PC.