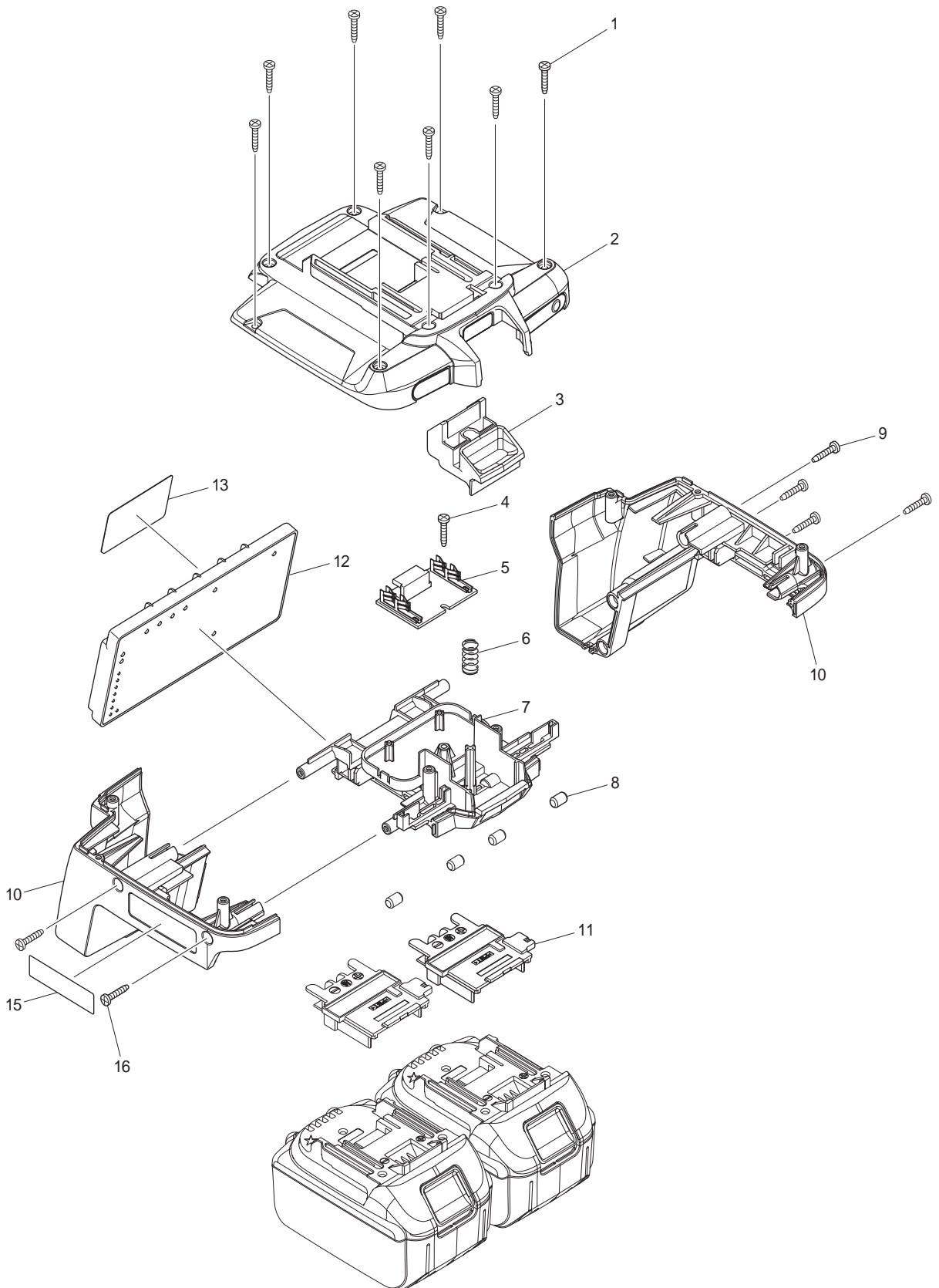




02 - 2014

196810-2

BATTERY CONVERTER BCV03 - DIRECT CONNECT STYLE -



| Item No. | Type | Sub | Part No. | Description | Qty | Unit |
|---------------------------|-------------|------------|-----------------|---|------------|-------------|
| 001 | | | 266130-9 | TAPPING SCREW BIND PT 3X16 | 8 | PC. |
| 002 | | | 141392-9 | TOP COVER COMPLETE | 1 | PC. |
| | | INC. | 890758-7 | CAUTION LABEL (EN FR SP) | 1 | PC. |
| 003 | | | 453383-1 | HOOK | 1 | PC. |
| 004 | | | 266130-9 | TAPPING SCREW BIND PT 3X16 | 1 | PC. |
| 005 | | | 620071-7 | TERMINAL BOARD COMPLETE | 1 | PC. |
| 006 | | | 234121-8 | COMPRESSEION SPRING 8 | 1 | PC. |
| 007 | | | 453379-2 | CENTER CASE | 1 | PC. |
| 008 | | | 263005-3 | RUBBER PIN 6 | 4 | PC. |
| 009 | | | 266130-9 | TAPPING SCREW BIND PT 3X16 | 4 | PC. |
| 010 | | | 187415-9 | SIDE COVER SET | 1 | SET |
| | | INC. | | Item No. 15 | | |
| 011 | | | 643899-6 | TERMINAL | 2 | PC. |
| 013 | | | 815R42-7 | NAME PLATE F/BCV03 | 1 | PC. |
| 015 | | | 819232-6 | MAKITA LOGO LABEL | 1 | PC. |
| 016 | | | 266130-9 | TAPPING SCREW BIND PT 3X16 | 2 | PC. |
| 100 | | | 654510-5 | INSULATED CONNECTOR 5.5-SD | 3 | PC. |
| <u>ACCESSORIES</u> | | | | | | |
| A01 | | | ----- | 18V LI-ION BATTERY *BL1815 cannot be used with BCV03 | | |
| A02 | | | 196006-5 | BATTERY GUARD SET | 1 | PC. |