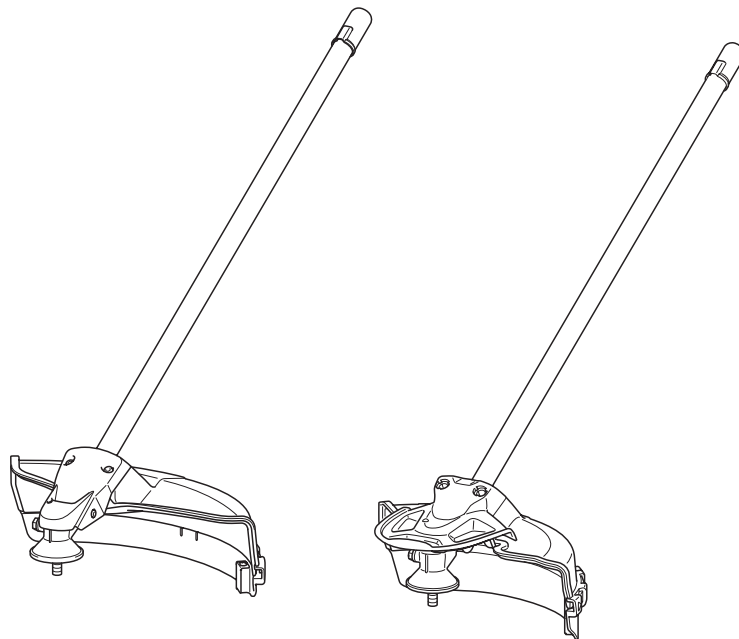




Owner's and Safety Manual for Brushcutter Attachment

Manuel d'emploi et de sécurité de la Tête Débroussailleuse

Manual de empleo y de seguridad para Accesorio para Desbrozadora



EM400MP

EM401MP

⚠ WARNING: Before use, read this booklet and the instruction manual of the power unit. Failure to follow the warnings and instructions may cause serious or fatal injury.

⚠ AVERTISSEMENT : Avant toute utilisation, veuillez lire ce mode d'emploi et le manuel d'instructions du groupe moteur. L'ignorance des avertissements et des instructions peut entraîner des blessures graves ou la mort.

⚠ ADVERTENCIA: Antes de la utilización, lea este folleto, así como el manual de instrucciones del equipo motorizado. No seguir las advertencias e instrucciones puede causar lesiones graves o mortales.

Contents

	Page
Contents	2
Foreword	2
Symbols	2
Approved power unit.....	3
Part description.....	3
Safety precautions.....	3
Assembly and adjustment	5
Operation.....	7
Inspection and maintenance.....	8
Storage	11
Maintenance schedule.....	12
Troubleshooting.....	12
Technical Data	12

Foreword

Thank you very much for purchasing Makita brushcutter attachment. This attachment is designed to be mounted on Makita power unit mentioned in this instruction manual. Before use, please read this booklet and the instruction manual of the power unit. They will assist you to obtain the best possible result from your Makita brushcutter attachment.

Symbols

The following symbols are used on the attachment and this instruction manual. Understand these definitions.

- 
Take particular care and attention.
- 
Read instruction manual.
- 
Danger; be aware of thrown objects.
- 
The distance between the tool and bystanders must be at least 15 m (50 ft).
- 
Keep bystanders away.
- 
Keep distance at least 15 m (50 ft).
- 
Avoid kickback.
- 
Wear a helmet, goggles and ear protection.
- 
Wear protective gloves.
- 
Wear sturdy boots with nonslip soles. Steeltoed safety boots are recommended.
- 
Top permissible tool speed.
- 
Forbidden!
- 
First Aid

Approved power unit

This attachment is approved to use only with the following power unit(s):

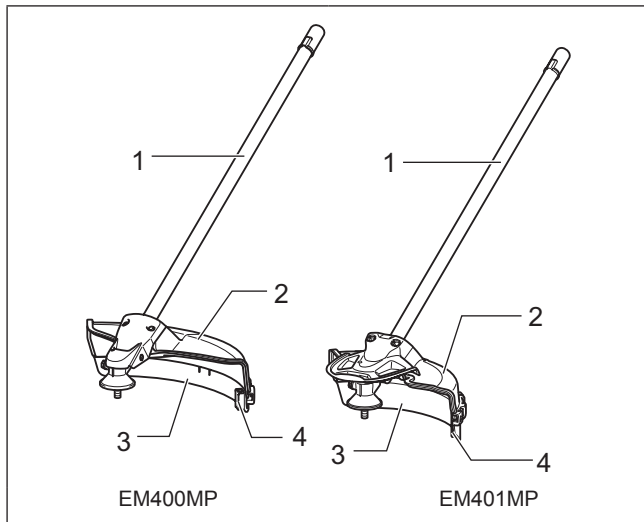
For EM400MP
EX2650LH Multi function power head

For EM401MP
EX2650LH Multi function power head

⚠ WARNING:

Never use the attachment with non-approved power unit. Non-approved combination may cause serious injury.

Part description



The numbers below refer to the figure.

1. Shaft
2. Protector (Cutting tool guard)
3. Protector extension
4. Cord cutter

Safety precautions

⚠ WARNING:

Read all safety warnings and all instructions in this booklet and the instruction manual of the power unit. Failure to follow the warnings and instructions may result in electric shock, fire and/or serious injury.

Save all warnings and instructions for future reference.

The term “brushcutter” and “equipment” in the warnings and precautions refer to the combination of the attachment and the power unit.

The term “motor” in the warnings and precautions refers to the engine or electric motor of the power unit.

Intended use

- This attachment is designed only for the purpose of cutting grass, weed, bushes and undergrowth in conjunction with an approved power unit. Never use the attachment for the other purpose. Abusing the attachment may cause serious injury.

General precautions

- Before starting the brushcutter, read this booklet and the instruction manual of the power unit to become familiar with the handling of the brushcutter.
- Do not lend the attachment to a person with insufficient experience or knowledge regarding handling of brushcutters.
- When lending the attachment, always attach this instruction manual.
- Do not allow children or young persons under 18 years old to use the brushcutter. Keep them away from the brushcutter.

- Handle the brushcutter with the utmost care and attention.
- Never use the brushcutter after consuming alcohol or drugs, or if feeling tired or ill.
- Never attempt to modify the attachment.
- Follow the regulations about handling of brushcutters in your country.

Personal protective equipment

- Wear safety helmet, protective goggles and protective gloves to protect yourself from flying debris or falling objects.



- Wear ear protection such as ear muffs to prevent hearing loss.
- Wear proper clothing and shoes for safe operation, such as a work overall and sturdy, non-slip shoes. Do not wear loose clothing or jewelry. Loose clothes, jewelry or long hair can be caught in moving parts.
- When touching the cutting blade, wear protective gloves. Cutting blades can cut bare hands severely.

Work area safety

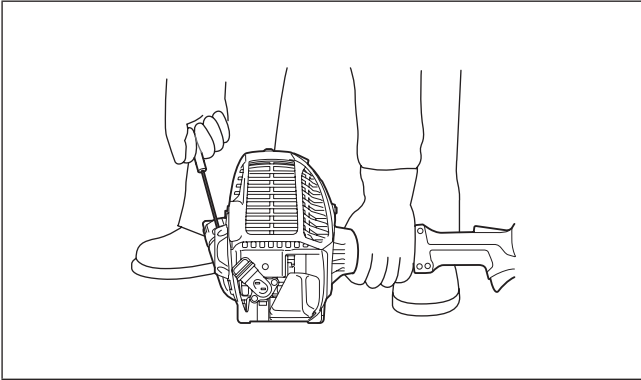
- Operate the equipment under good visibility and daylight conditions only. Do not operate the equipment in darkness or fog.
- Start and operate the engine only outdoors in a well ventilated area. Operation in a confined or poorly ventilated area can result in death due to suffocation or carbon monoxide poisoning.
- During operation, never stand on an unstable or slippery surface or a steep slope. During the cold season, beware of ice and snow and always ensure secure footing.
- During operation, keep bystanders or animals at least 15 m away from the equipment. Stop the motor as soon as someone approaches.
- Before operation, examine the work area for stones or other solid objects. They can be thrown or cause dangerous kickback and result in serious injury and/or property damage.
- **⚠ WARNING:** Use of this product can create dust containing chemicals which may cause respiratory or other illnesses. Some examples of these chemicals are compounds found in pesticides, insecticides, fertilizers and herbicides. Your risk from these exposures varies, depending on how often you do this type of work. To reduce your exposure to these chemicals: work in a well ventilated area, and work with approved safety equipment, such as those dust masks that are specially designed to filter out microscopic particles.

Putting into operation

- Before assembling or adjusting the equipment, switch off the motor and remove the spark plug cap or the battery cartridge.
- Before handling the cutter blade, wear protective gloves.
- Before starting the motor, inspect the equipment for damages, loose screws/nuts or improper assembly. Sharpen blunt cutter blade. If the cutter blade is bent or damaged, replace it. Check all control levers and switches for easy action. Clean and dry the handles.
- Never attempt to start the motor if the equipment is damaged or not fully assembled. Otherwise serious injury may result.
- Adjust the shoulder harness and hand grip to suit the operator's body size.

Starting motor

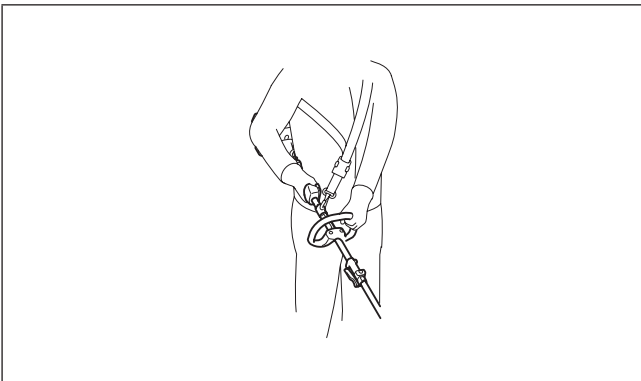
- Wear the personal equipments before starting the motor.
- Start the engine at least 3 meters (10 feet) away from the fueling spot.
- Before starting the motor, make sure that there is no person or animal in the work area.
- When starting the engine or inserting a battery cartridge, keep the cutting tool clear of your body and other object, including the ground. It may rotate when starting and may cause injury or damage to the equipment and/or property.
- Place the equipment on firm ground. Maintain good balance and secure footing.
- When pulling the starter knob, hold the power unit firmly against the ground by your left hand. Never step on the drive shaft of the power unit.



- Follow the instruction manual of the power unit for starting the motor.
- If the cutting tool rotates at idle, stop the engine and adjust the idle speed down.

Operation

- In the event of an emergency, switch off the motor immediately.
- If you feel any unusual condition (e.g. noise, vibration) during operation, switch off the motor. Do not use the equipment until the cause is recognized and solved.
- The cutting tool continues to rotate for a short period after releasing the throttle trigger or switch off the motor. Don't rush to contact the cutting tool.
- With the engine running only at idle, attach the shoulder harness.
- During operation, use the shoulder harness. Keep the equipment on your right side firmly.



- Hold the front handle with the left hand and the rear grip with the right hand, no matter you are right-hander or left-hander. Wrap your finger and thumbs around the handles.
- Never attempt to operate the equipment with one hand. Loss of control may result in serious or fatal injury. To reduce the risk of injury, keep your hands and feet away from the cutting tool.
- Do not overreach. Keep proper footing and balance at all times. Watch for hidden obstacles such as tree stumps, roots and ditches to avoid stumbling.
- Never work on a ladder or tree to avoid loss of control.
- If the equipment gets heavy impact or fall, check the condition before continuing work. Check the fuel system for fuel leakage and the controls and safety devices for malfunction. If there is any damage or doubt, ask Makita authorized service center for

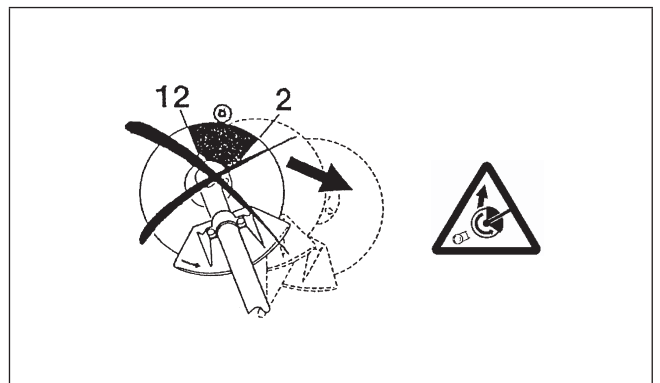
- the inspection and repair.
- Do not touch the gear case. The gear case becomes hot during operation.
- Take a rest to prevent loss of control caused by fatigue. We recommend taking a 10 to 20-minute rest every hour.
- When you leave the equipment, even if it is a short time, always switch off the engine or remove the battery cartridge. The equipment unattended with the engine running may be used by unauthorized person and cause serious accident.
- Follow the instruction manual of the power unit for proper use of the control lever and switch.
- During or after operation, do not put the hot equipment onto dry grass or combustible materials.
- If grass or branches get caught between the cutting tool and guard, always stop the motor and remove the spark plug cap or the battery cartridge before cleaning. Otherwise unintentional blade rotation may cause serious injury.
- If the cutting tool hits stones or other hard objects, immediately switch off the motor and inspect the cutting tool.
- Check the cutting tool frequently during operation for cracks or damages. Before the inspection, switch off the motor and wait until the cutting tool stops completely. Replace damaged cutting tool immediately, even if it has only superficial cracks.
- Never cut above waist height.
- Before starting the cutting operation, wait until the cutting tool reaches a constant speed after pulling the trigger.
- When using metal blades, swing the tool evenly in half-circle from right to left, like using a scythe.

Cutting tools

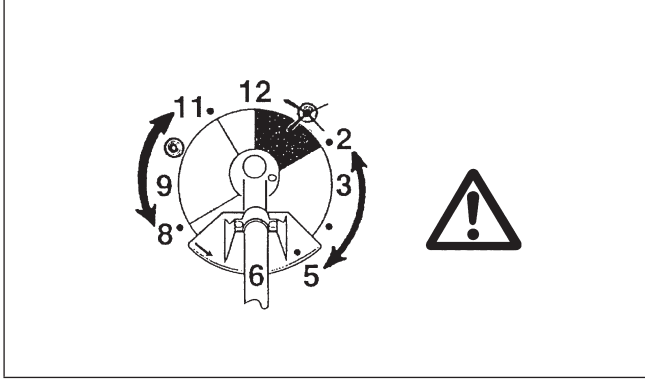
- Use an applicable cutting tool for the job in hand. Nylon cutting heads (string trimmer heads) are suitable for trimming lawn grass. Metal blades are suitable for cutting weeds, high grasses, bushes, shrubs, underwood, thicket, and the like. Never use other blades including metal multi-piece pivoting chains and flail blades. It may result in serious injury.
- Always use the cutting tool guard properly suited for the cutting tool used.
- When using metal blades, avoid "kickback" and always prepare for an accidental kickback. See the section "Kickback."

Kickback (Blade thrust)

- Kickback (blade thrust) is a sudden reaction to a caught or bound cutting blade. Once it occurs, the equipment is thrown sideways or toward the operator at great force and it may cause serious injury.
- Kickback occurs particularly when applying the blade segment between 12 and 2 o'clock to solids, bushes and trees with 3 cm or larger diameter.



- To avoid kickback:
 - apply the segment between 8 and 11 o'clock;
 - never apply the segment between 12 and 2 o'clock;
 - never apply the segment between 11 and 12 o'clock and between 2 and 5 o'clock, unless the operator is well trained and experienced and does it at his/her own risk;
 - never use cutting blades close to solids, such as fences, walls, tree trunks and stones;
 - never use cutting blades vertically, for such operations as edging and trimming hedges.



Vibration

- People with poor circulation who are exposed to excessive vibration may experience injury to blood vessels or the nervous system. Vibration may cause the following symptoms to occur in the fingers, hands or wrists: "Falling asleep" (numbness), tingling, pain, stabbing sensation, alteration of skin color or of the skin. If any of these symptoms occur, see a physician!
- To reduce the risk of "white finger disease", keep your hands warm during operation and well maintain the equipment and accessories.

Transport

- Before transporting the equipment, switch off the motor and remove the spark plug cap or battery cartridge. Attach the cover to the cutting blade.
- When transporting the equipment, carry it in a horizontal position by holding the shaft. Keep the hot muffler away from your body.
- When transporting the equipment in a vehicle, properly secure it to avoid turnover. Otherwise fuel spillage and damage to the equipment and other baggage may result.


Maintenance

- Have your equipment serviced by our authorized service center, always using only genuine replacement parts. Incorrect repair and poor maintenance can shorten the life of the equipment and increase the risk of accidents.
- Before doing any maintenance or repair work or cleaning the equipment, always switch off the motor and remove the spark plug cap or the battery cartridge. Wait until the motor gets cold.
- To reduce the risk of fire, never service the equipment in the vicinity of fire.
- Always wear protective gloves when handling the cutting blade.
- Always clean dust and dirt off the equipment. Never use gasoline, benzine, thinner, alcohol or the like for the purpose. Discoloration, deformation or cracks of the plastic components may result.
- After each use, tighten all screws and nuts, except for the carburetor adjustment screws.
- Do not attempt any maintenance or repair not described in this booklet or the instruction manual of the power unit. Ask Makita authorized service center for such work.
- Always use Makita genuine spare parts and accessories only. Using parts or accessories supplied by a third party may result in the equipment breakdown, property damage and/or serious injury.
- Request Makita authorized service center to inspect and maintain the equipment at regular interval.

Storage

- Before storing the equipment, perform full cleaning and maintenance. Remove the spark plug cap or the battery cartridge. Drain the fuel after the engine gets cold. Attach the cover to the cutting blade.
- Store the equipment in a dry and high or locked location out of reach of children.
- Do not prop the equipment against something, such as a wall. Otherwise it may fall suddenly and cause an injury.

First aid

-  Always have a first-aid kit close by. Immediately replace any item taken from the first aid kit.
- When asking for help, give the following information:
 - Place of the accident
 - What happened
 - Number of injured persons
 - Nature of the injury
 - Your name

Assembly and adjustment

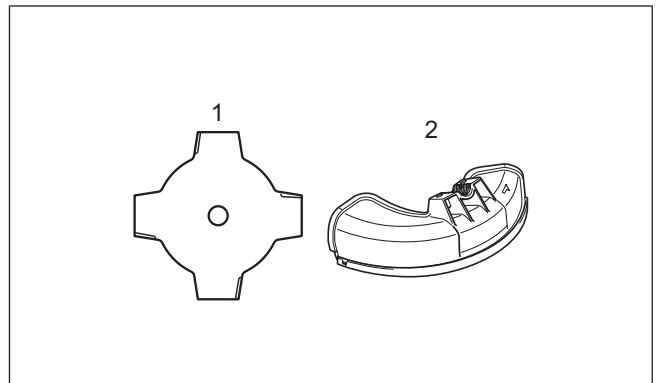
WARNING:

- Before assembling or adjusting the equipment, switch off the motor and remove the spark plug cap or battery cartridge. Otherwise the cutting tool or other parts may move and result in serious injury.
- Before handling cutting blade, wear protective gloves. During the assembly or adjustment, your fingers may contact with the cutting blade and it may cause serious injury.
- When assembling or adjusting the equipment, always put it down. Assembling or adjusting the equipment in an upright position may result in serious injury.
- Follow the warnings and precautions in the chapter "Safety precautions" and the instruction manual of the power unit.

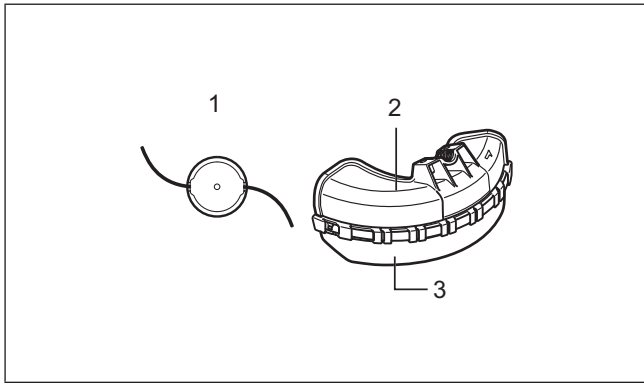
Installing the protector

WARNING:

Never use the tool without the protector illustrated in place. Failure to do so can cause serious personal injury.



1. Cutter blade
2. Protector



1. Nylon cutting head
2. Protector
3. Protector extension

⚠ CAUTION:

Do not touch the cord cutter on the protector. Touching the cord cutter with bare hands may result in injury.

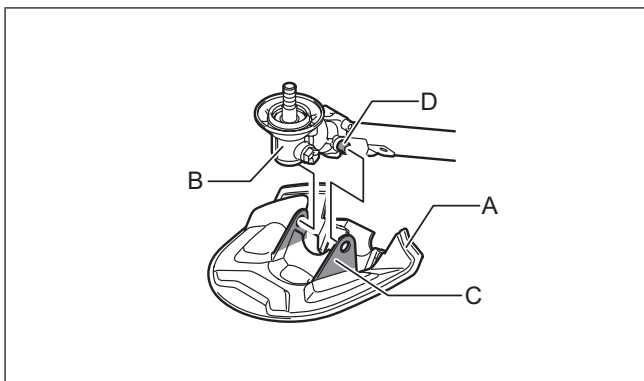
The protector must be installed to protect the operator from contact with the cutting tool and thrown stones and debris.

When using a nylon cutting head, the protector extension must also be installed to maintain the nylon-cutting-cord length.

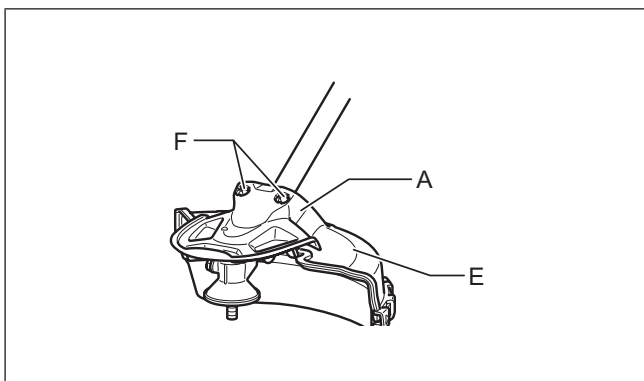
Install the protector as the following steps.

1. Attach the protector cover (A) onto the gear case (B). Slightly push the wings (C) outward and put the bolts (D) into the holes in the wings.

NOTICE: Do not push the wings outward too much. Otherwise it may break.

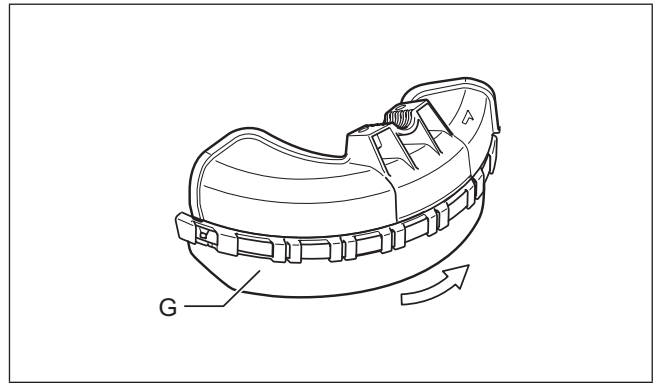


2. Fix the protector (E) to the protector cover (A) with two bolts (F). Tighten the right and left bolts evenly.

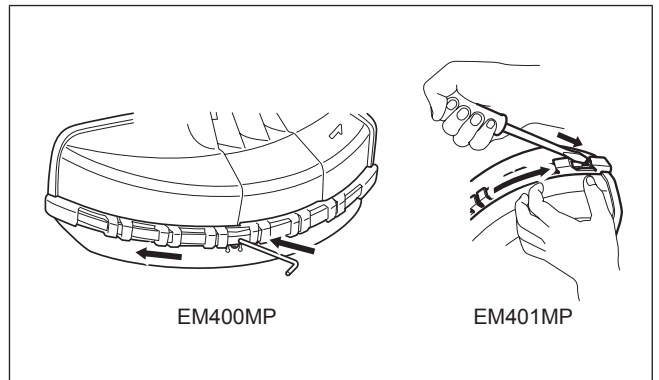


3. When using a nylon cutting head, mount the protector extension (G). Place the protector extension onto the mounting track provided on the lower edge of the protector. Slide it into position until the protector extension clicks and locks into place. The protector extension is designed so that it will only mount onto the protector in one direction.

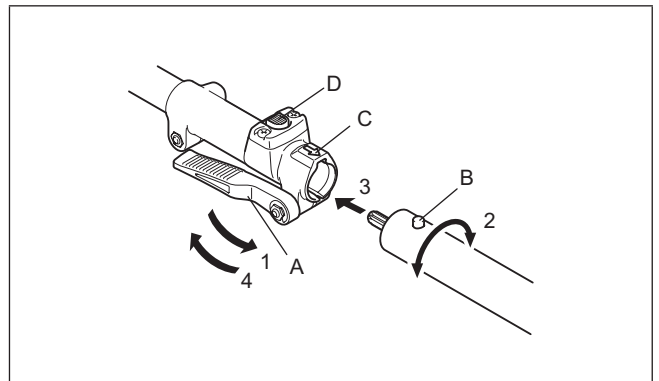
NOTE: Remove tape adhered to the cord cutter, which cuts nylon cord, on the protector extension at the first use.



To remove the protector extension, place a hex wrench or flat-blade screwdriver into the small notch provided on the locking nub. Press down on the locking nub while sliding the lower protector extension in the direction indicated in the figure. Once the protector extension starts to slide, it is unlocked and can be removed by continuing to slide it off of the protector.



Mounting the attachment to a power unit



To mount the attachment to a power unit, follow the steps below.

1. Make sure that the lock lever (A) is not tightened.
2. Align the pin (B) with the arrow mark (C).
3. Insert the shaft into the drive shaft of the power unit until the release button (D) pops up.
4. Tighten the lock lever (A) firmly as shown.

To remove the attachment, loosen the lock lever, press the lock button and withdraw the shaft.

NOTICE: Do not tighten the lock lever (A) without the shaft of the attachment inserted. Otherwise the lock lever may tighten the entrance of the drive shaft too much and damage it.

Removing and installing a cutter blade

⚠ WARNING:

- The outside diameter of the cutter blade must be 230 mm (9"). Never use any blade exceeding 230 mm (9") in outside diameter.

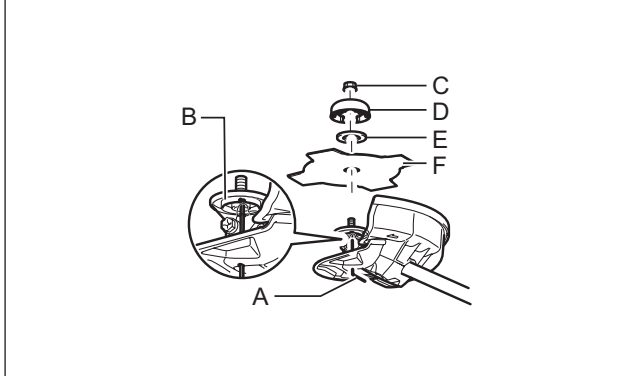
⚠ CAUTION:

- The cutter blade must be well polished, free of cracks or breakage. Polish or replace the cutter blade every three hours of operation.

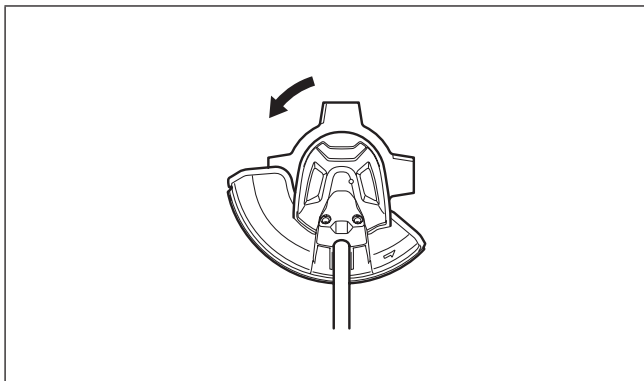
- Always wear gloves when handling the cutter blade.
- Always attach the blade cover when the tool is not in use or is being transported.
- The cutter-blade fastening nut (with spring washer) is a consumable part. If there appears any wear or deformation on the spring washer, replace the nut. Ask your local authorized service center to order it.

NOTICE:

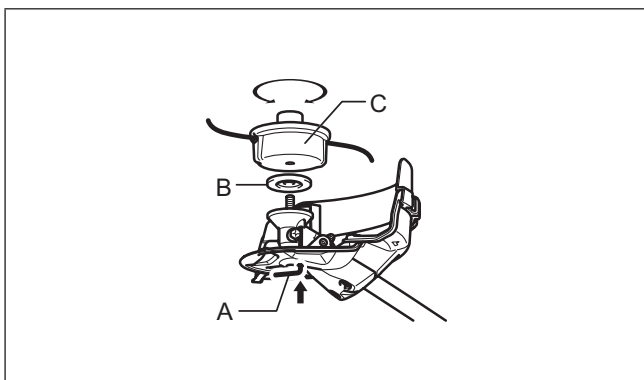
- Be sure to use genuine Makita cutter blade.
- Turn the tool upside down so that you can replace the cutter blade easily.



1. To remove the old cutter blade, insert the hex wrench (A) through the hole on the protector cover and gear case.
2. Turn the receive washer (B) until it is locked by the hex wrench (A).
3. Loosen the hex nut (C) clockwise with the socket wrench and remove the nut (C), cup (D), clamp washer (E) and old cutter blade (F).
4. Attach the cutter blade (F) onto the shaft so that the guide of the receive washer (B) fits in the arbor hole in the cutter blade.
5. Install the clamp washer (E) and cup (D). Tighten the hex nut (C) counterclockwise with 13 to 23 Nm of tightening torque during holding the receive washer (B) with hex wrench (A).
6. Remove the hex wrench (A). Make sure that the blade is the left way up.



Removing and installing a nylon cutting head



⚠ CAUTION:

Do not touch the cord cutter on the protector. Touching the cord cutter with bare hands may result in injury.

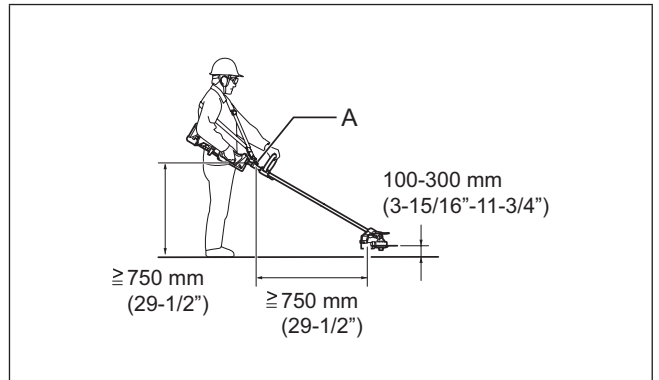
1. To remove the old nylon cutting head, insert the hex wrench (A) through the hole on the protector cover and gear case.
2. Turn the receive washer (B) until it is locked by the hex wrench (A).
3. Turn the old nylon cutting head (C) clockwise to loosen and remove it.
4. Put a new nylon cutting head (C) onto the shaft. Turn it counterclockwise during locking the receive washer (B) with the hex wrench (A). Make sure that it is installed securely.
5. Remove the hex wrench (A).

Operation

⚠ WARNING:

- If the cutting tool moves at idle, adjust the idle speed of the engine down. Otherwise you cannot stop the cutting tool by throttle off and it may cause serious injury.
- Follow the warnings and precautions in the chapter "Safety precautions" and the instruction manual of the power unit.

Adjusting the hanger position and shoulder harness



⚠ WARNING:

Do not use the tool if you cannot adjust the hanger position and shoulder harness length within the range as illustrated. Using the tool with improper weight balance may bring the cutting tool upward and result in personal injury.

When replacing an accessory with another, the weight balance of the equipment may change. In such case, adjust the hanger position and shoulder harness length as follows.

To change the hanger position, loosen the fixing screw on the hanger and then move the hanger (A).

Adjust the hanger position and shoulder harness length so that:

- the hanger positions 750 mm (29-1/2") or higher from the ground,
- the cutting tool positions 100 mm (3-15/16") to 300 mm (11-3/4") high from the ground and
- the unguarded part of cutting tool is horizontally 750 mm (29-1/2") or farther away from the hanger.

After adjusting the hanger position, tighten the screw with a wrench or screwdriver (depending on the power unit) securely.

Using a nylon cutting head

During operation, use the tip of the nylon cutting cord for cut. As the nylon cutting cord is worn and shortened with the cutting operation, the operator needs to feed it manually.

To feed the nylon cutting cord, tap the nylon cutting head on the ground while it rotates around 6,000 min⁻¹.

NOTE:

- If the nylon cutting cord does not feed out, rewind it. Refer to the chapter "Inspection and maintenance."

Inspection and maintenance

WARNING:

- Before inspecting or maintaining the equipment, switch off the motor and remove the spark plug cap or battery cartridge. Otherwise the cutting tool or other parts may move and result in serious injury.
- When inspecting or maintaining the equipment, always put it down. Assembling or adjusting the equipment in an upright position may result in serious injury.
- Follow the warnings and precautions in the chapter “Safety precautions” and the instruction manual of the power unit.

Resharpener the cutting tool

WARNING:

Do not sharpen cutting blades by yourself. Manual sharpening unbalances a cutting blade and it can cause vibrations and damage to the equipment.

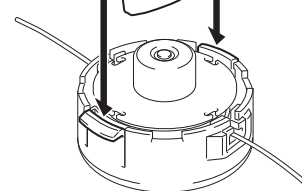
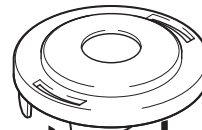
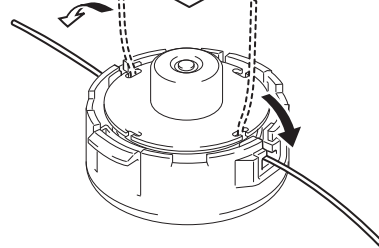
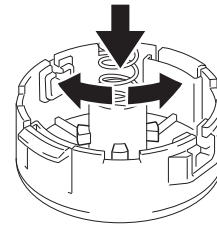
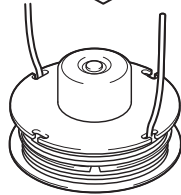
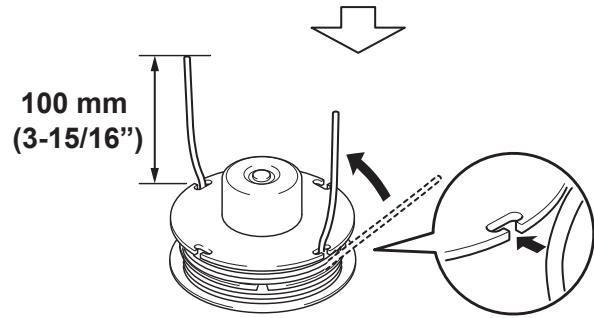
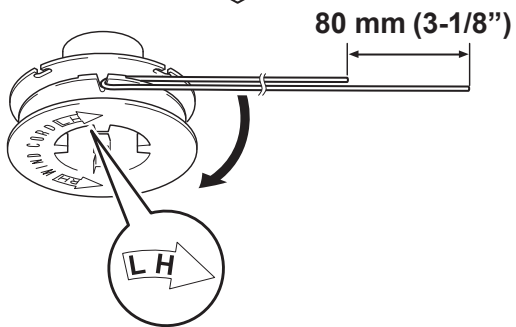
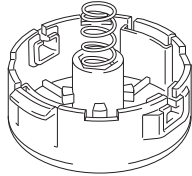
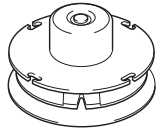
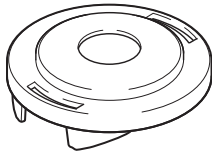
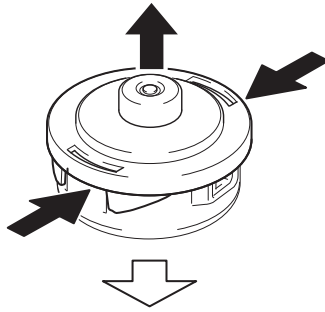
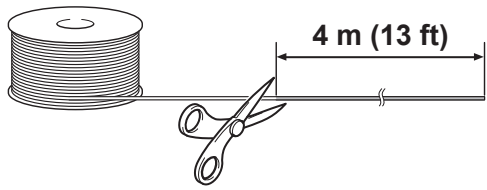
Ask Makita authorized service center to sharpen and rebalance blunt cutter blades.

Replacing the nylon cord

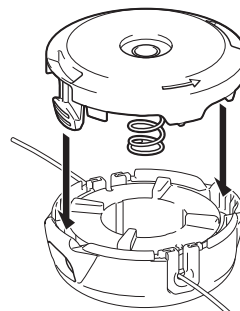
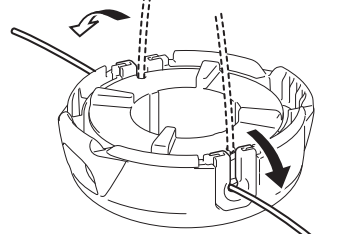
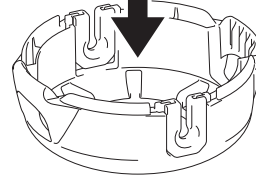
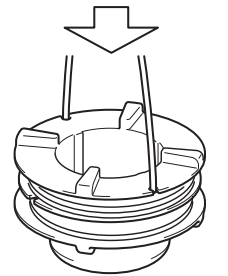
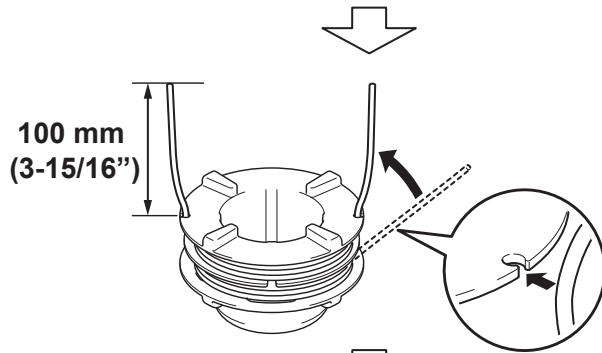
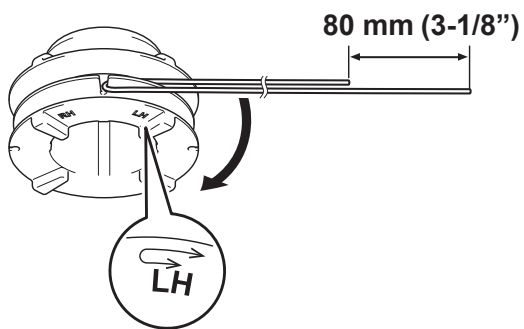
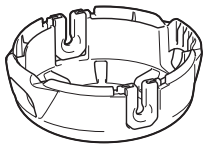
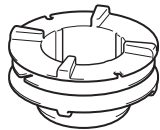
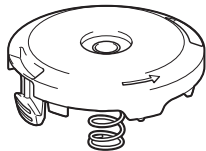
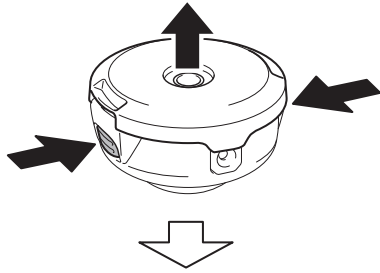
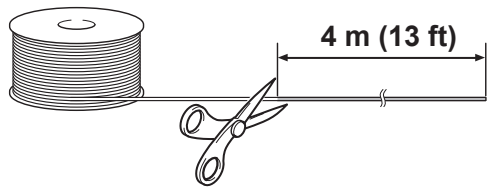
WARNING:

For the bump and feed type nylon cutting head, make sure that the cover of the nylon cutting head is secured to the housing properly as described below. Failure to properly secure the cover may cause the nylon cutting head to fly apart resulting in serious personal injury.

The way to replace the nylon cord varies depending on the cutting tool type. Replace the nylon cord if the cord is not fed any more.



For Bump & Feed type

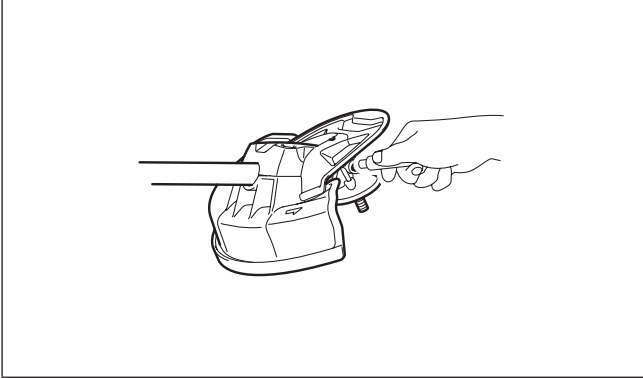


Lubricating moving parts

NOTICE: Follow the instruction of the frequency and amount of grease supplied. Otherwise insufficient lubrication may damage moving parts.

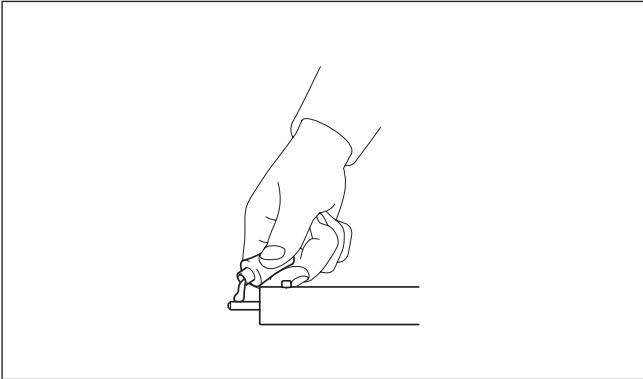
Gear case:

Supply grease (Shell Alvania 2 or equivalent) to the gear case through the grease hole every 30 hours of operation. (Genuine Makita grease may be purchased from your local Makita dealer.)



Drive axle:

Supply grease (Shell Alvania No.2 or equivalent) every 30 hours of operation.



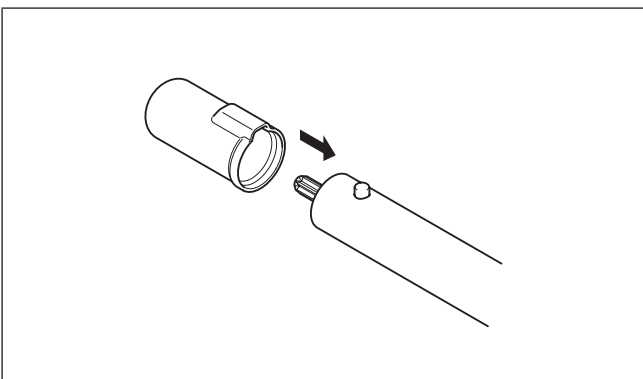
Overall inspection

- Tighten loose bolts, nuts and screws.
- Check for damaged parts. Ask Makita authorized service center to replace them.

Storage

⚠ WARNING:

Follow the warnings and precautions in the chapter "Safety precautions" and the instruction manual of the power unit.



When storing the brushcutter attachment separated from the power unit, put the cap onto the end of the shaft.

Maintenance schedule

Operating hour		Before Operation	Daily (10h)	30h	If required	Corresponding page
Whole unit	Visually inspect for damaged parts	○				11
All fixing screws and nuts	Tighten	○				11
Gear case	Supply grease			○		11
Drive axle	Supply grease			○		11
Cutter blade	Visually inspect for damage	○	○			8
Power unit	Refer to the instruction manual of the power unit					

Troubleshooting

Problem	Probable caus	Solution
The engine does not start.	Refer to the instruction manual of the power unit.	
The engine stops soon after its start.		
The maximum speed is limited.		
The cutting tool does not rotate. ➔ Stop the motor immediately!	The cutting tool is not tightened securely.	Tighten the cutting tool securely.
	A twig is caught between the cutting tool and the protector.	Remove the foreign matter.
	The drive system does not work properly.	Ask Makita authorized service center to inspect and repair it.
The unit vibrates abnormally. ➔ Stop the motor immediately!	The cutting tool is bent, worn or broken.	Replace the cutting tool with new one.
	The cutting tool is not tightened securely.	Tighten the cutting tool securely.
	One end of nylon cutting cord has been broken and the nylon cutting head got unbalanced.	Feed the nylon cutting cord with tapping the nylon cutting head on the ground.
	The cutting blade is not fitted on the guide of the receive washer.	Install the cutting blade properly.
	The drive system does not work properly.	Ask Makita authorized service center to inspect and repair it.
The cutting tool does not stop. ➔ Stop the motor immediately!	The power unit does not work properly.	Refer to the instruction manual of the power unit.
The nylon cutting cord does not feed.	The cord is used up or tangled in the spool.	Rewind the cord.
The nylon cutting cord is not cut off at the correct length.	The cord cutter on the protector is damaged or missing.	Ask Makita authorized service center to replace the cord cutter.
	The cord extends past the protector.	Rewind the cord.

Technical Data

Model		EM400MP	EM401MP
Dimensions (L x W x H)	mm (inch)	876 x 374 x 211 (34-1/2" x 14-3/4" x 8-5/16")	907 x 310 x 220 (35-3/4" x 12-1/4" x 8-5/8")
Nylon cord diameter	mm (inch)	2.4 (0.09)	2.7 (0.1)
Net weight (Not including protector and blade)	kg (lbs)	1.0 (2.2)	1.0 (2.2)
Cutting blade diameter	mm (inch)	230 (9")	230 (9")
Cutting diameter with a nylon cutting head	mm (inch)	420 (16-1/2")	300 (12")
Gear ratio		14/19	

Contenu

	Page
Contenu	13
Avant-propos	13
Pictogrammes	13
Groupe moteur homologué.....	14
Description des pièces	14
Précautions de sécurité	14
Montage et réglage.....	16
Fonctionnement.....	18
Inspection et entretien	19
Entreposage	22
Programme d'entretien	23
Dépannage	23
Données techniques.....	23

Avant-propos

Merci d'avoir acheté la tête débroussailleuse Makita. Cette tête est conçue pour être montée sur le groupe moteur Makita mentionné dans ce manuel d'instructions.

Avant toute utilisation, veuillez lire ce mode d'emploi et le manuel d'instructions du groupe moteur. Ils vous permettront d'obtenir le meilleur de votre tête débroussailleuse Makita.

Pictogrammes

Les pictogrammes suivants sont apposés sur la tête et figurent dans ce manuel d'instructions. Comprenez bien ces définitions.



Faites particulièrement attention.



Lisez le manuel d'instructions.



Danger ; faites attention aux objets projetés.



Il doit y avoir au moins 15 m (50 ft) de distance entre l'outil et les individus.



Tenir les individus à l'écart.



Maintenir une distance d'au moins 15 m (50 ft).



Éviter tout mouvement de recul.



Portez un casque, ainsi que des protections oculaire et auditive.



Portez des gants de protection.



Portez des chaussures solides avec semelle antidérapante. Il est conseillé de porter des chaussures avec embout de sécurité.



Vitesse d'outil maximale autorisée.



Interdit!



Premiers soins

Groupe moteur homologué

Cette tête est homologuée pour fonctionner uniquement avec le(s) groupe(s) moteur suivant(s) :

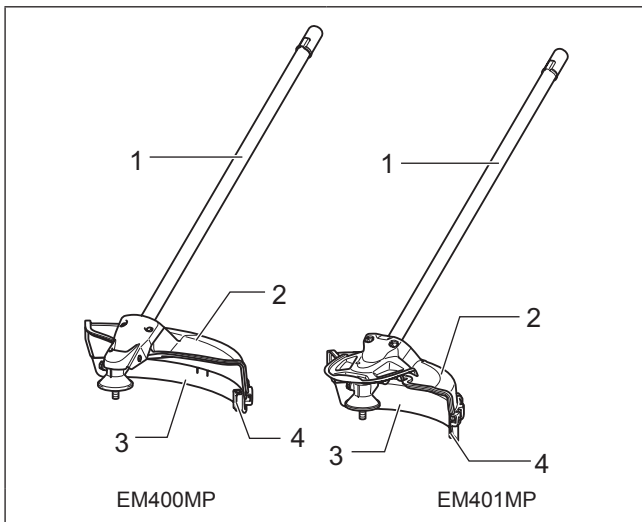
Pour EM400MP
EX2650LH Outil Multi-Fonctions

Pour EM401MP
EX2650LH Outil Multi-Fonctions

⚠ AVERTISSEMENT :

N'utilisez jamais la tête avec un groupe moteur non homologué. Une combinaison non homologuée peut entraîner des blessures graves.

Description des pièces



Les numéros ci-dessous se rapportent à l'illustration.

1. Axe
2. Protecteur (Dispositif de protection de l'outil de coupe)
3. Rallonge du protecteur
4. Coupe-fil

Précautions de sécurité

⚠ AVERTISSEMENT :

Veillez lire toutes les précautions de sécurité ainsi que les instructions contenues dans ce mode d'emploi et le manuel d'instructions du groupe moteur. L'ignorance des avertissements et des instructions comporte un risque d'électrocution, d'incendie et/ou de blessure grave.

Conservez-les pour les consulter ultérieurement.

Les termes « débroussailleuse » et « équipement » dans les avertissements et les précautions font référence à la combinaison de la tête et du groupe moteur.

Le terme « moteur » dans les avertissements et les précautions se rapporte au moteur ou au moteur électrique du groupe moteur.

Utilisation normale

- Cette tête est uniquement conçue pour couper l'herbe, l'herbe haute, les mauvaises herbes et les broussailles avec le groupe moteur approprié. N'utilisez jamais la tête à d'autres fins. Toute utilisation inadéquate de la tête peut entraîner des blessures graves.

Précautions élémentaires

- Avant de démarrer la débroussailleuse, veuillez lire ce mode d'emploi et le manuel d'instructions du groupe moteur pour vous familiariser avec la manipulation de l'outil.

- Ne prêtez pas la tête à une personne ne maîtrisant pas suffisamment les débroussailleuses ou ne sachant pas les manipuler.
- Lorsque vous prêtez la tête, joignez toujours ce manuel d'instructions.
- Ne laissez pas des enfants ou des personnes de moins de 18 ans utiliser la débroussailleuse. Tenez-les à l'écart de l'outil.
- Manipulez la débroussailleuse avec le maximum de soin et d'attention.
- N'utilisez jamais la débroussailleuse après avoir consommé de l'alcool ou de la drogue, ou encore si vous vous sentez fatigué ou malade.
- N'essayez jamais de modifier la tête.
- Respectez les réglementations en vigueur dans votre pays concernant la manipulation des débroussailleuses.

Équipement de protection personnel

- Portez un casque de sécurité, des lunettes et des gants de protection pour vous protéger des projections ou chutes d'objets.



- Portez une protection auditive comme un casque anti-bruit pour éviter toute perte d'audition.
- Portez une tenue et des chaussures adaptées, comme une combinaison et des chaussures solides avec semelle antidérapante. Ne portez ni vêtements amples ni bijoux. Des vêtements amples, des bijoux ou de longs cheveux peuvent se prendre dans les pièces mobiles.
- Portez des gants de protection lorsque vous touchez les lames. Vous pouvez vous blesser sérieusement en manipulant les lames à mains nues.

Sécurité de la zone de travail

- N'utilisez l'équipement qu'avec une bonne visibilité et en plein jour. N'utilisez pas l'équipement dans l'obscurité ou le brouillard.
- Démarrez et faites tourner le moteur uniquement à l'extérieur dans un endroit bien aéré. Le fonctionnement du moteur dans un espace confiné ou mal aéré peut entraîner la mort par asphyxie ou par intoxication au monoxyde de carbone.
- Pendant l'utilisation, ne vous positionnez pas sur une surface instable ou glissante ou sur un sol en pente. En hiver, faites attention à la glace et à la neige et veillez toujours à maintenir votre équilibre.
- Pendant l'utilisation, tenez tout individu ou animal à au moins 15 m de l'équipement. Coupez le moteur dès que quelqu'un s'approche.
- Avant l'utilisation, voyez s'il y a des pierres ou autres objets solides dans la zone de travail. Ils peuvent être projetés ou causer un mouvement de recul dangereux et provoquer ainsi des blessures graves et/ou des dégâts matériels.
- ⚠ AVERTISSEMENT : L'utilisation de ce produit peut provoquer de la poussière contenant des produits chimiques pouvant causer des maladies respiratoires entre autres.

Les composants des pesticides, insecticides, engrais et herbicides sont des exemples de ces produits chimiques.

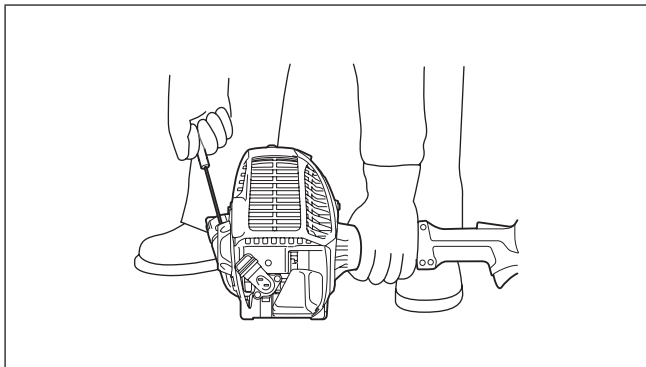
Le risque dû à ces expositions varie selon la fréquence à laquelle vous effectuez ce type de travail. Pour réduire les risques liés à l'exposition à ces produits chimiques : travaillez dans un espace bien aéré et portez des dispositifs de sécurité homologués, tels que des masques antipoussières spécialement conçus pour filtrer les particules microscopiques.

Utilisation de l'appareil

- Avant d'assembler ou de régler l'équipement, coupez le moteur et retirez le capuchon de la bougie d'allumage ou la batterie.
- Portez des gants de protection avant de manipuler la lame de coupe.
- Avant de démarrer le moteur, inspectez l'équipement pour détecter d'éventuels dommages, des vis/écrous desserré(e)s ou un montage incorrect. Aiguisez la lame de coupe. Si elle est tordue ou endommagée, remplacez-la. Vérifiez le bon fonctionnement de tous les leviers et commutateurs de commande. Nettoyez et séchez les poignées.
- N'essayez jamais de démarrer le moteur si l'équipement est endommagé ou pas entièrement assemblé. Vous risqueriez de vous blesser gravement.
- Ajustez le harnais et la poignée à votre taille.

Démarrage du moteur

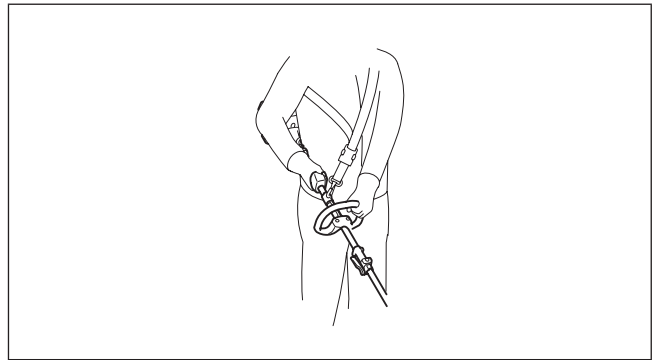
- Mettez l'équipement personnel avant de démarrer le moteur.
- Démarrez le moteur à au moins 3 mètres (10 pieds) du lieu de remplissage du carburant.
- Avant de démarrer le moteur, veillez à ce qu'il n'y ait aucun individu ni animal dans la zone de travail.
- Lorsque vous démarrez le moteur ou placez la batterie, éloignez l'outil de coupe de votre corps et de tout autre objet, y compris du sol. Elle peut se mettre en mouvement dès le démarrage et occasionner des blessures, endommager l'équipement et/ou entraîner des dégâts matériels.
- Placez l'équipement sur un sol dur. Veillez à ne pas perdre l'équilibre.
- Lorsque vous tirez la poignée de démarrage, maintenez fermement le groupe moteur contre le sol avec la main gauche. Ne marchez pas sur l'arbre d'entraînement du groupe moteur.



- Suivez le manuel d'instructions du groupe moteur pour le démarrage du moteur.
- Si l'outil de coupe tourne au ralenti, coupez le moteur et abaissez la vitesse de ralenti.

Fonctionnement

- En cas d'urgence, coupez immédiatement le moteur.
- Si vous percevez quoi que ce soit d'anormal (bruit, vibrations, etc.) en cours d'utilisation, coupez le moteur. N'utilisez plus l'équipement avant d'avoir trouvé et résolu le problème.
- L'outil de coupe continue à tourner un bref instant après que vous avez relâché la commande d'accélérateur ou coupé le moteur. Ne vous précipitez pas pour toucher l'outil de coupe.
- Lorsque le moteur tourne uniquement au ralenti, fixez le harnais.
- Pendant la manipulation de l'équipement, utilisez le harnais. Maintenez fermement l'équipement sur le côté droit.



- Saisissez la poignée avant avec la main gauche et la poignée arrière avec la main droite, peu importe que vous soyez droitier ou gaucher. Enserrez bien les poignées avec les doigts.
- N'essayez jamais de faire fonctionner l'équipement avec une seule main. Si vous en perdez le contrôle, vous risquez de vous blesser ou de trouver la mort. Pour limiter tout risque de blessure, éloignez les mains et les pieds de l'outil de coupe.
- Ne visez pas trop haut. Maintenez en permanence un équilibre stable. Faites attention aux obstacles cachés tels que les souches d'arbres, les racines et les fossés, afin de ne pas trébucher.
- Ne vous positionnez jamais sur une échelle ou dans un arbre afin de ne pas perdre le contrôle.
- Si l'équipement tombe ou heurte violemment une surface, vérifiez son état avant de poursuivre l'utilisation. Recherchez une éventuelle fuite du système d'alimentation et un éventuel dysfonctionnement des dispositifs de commande et de sécurité. En cas de dommage avéré ou suspecté, adressez-vous à un centre de services agréé Makita pour une inspection et une réparation.
- Ne touchez pas le carter d'engrenage. Il devient chaud pendant le fonctionnement.
- Faites des pauses afin de ne pas perdre le contrôle à cause de la fatigue. Nous vous recommandons de vous reposer 10 à 20 minutes toutes les heures.
- Lorsque vous laissez l'équipement, même un court instant, coupez toujours le moteur ou retirez la batterie. Un équipement laissé sans surveillance avec le moteur allumé peut être utilisé par n'importe qui et occasionner un grave accident.
- Suivez le manuel d'instructions du groupe moteur pour une utilisation correcte du levier et du commutateur de commande.
- Pendant ou après l'utilisation, ne posez pas l'équipement sur des herbes sèches ou des matières combustibles.
- Si de l'herbe ou des branches sont coincées entre l'outil de coupe et le dispositif de protection, coupez toujours le moteur et retirez le capuchon de la bougie d'allumage ou la batterie avant de procéder au nettoyage. Si vous ne le faites pas, une rotation accidentelle de la lame peut entraîner des blessures graves.
- Si l'outil de coupe heurte des pierres ou des objets durs, coupez immédiatement le moteur et inspectez l'outil de coupe.
- Vérifiez régulièrement l'outil de coupe en cours d'utilisation pour vous assurer qu'il n'est pas fissuré ou endommagé. Avant toute inspection, coupez le moteur et attendez que l'outil de coupe s'arrête complètement. Remplacez immédiatement un outil de coupe endommagé, même s'il ne présente que des fissures superficielles.
- Ne réalisez jamais de coupe en tenant la machine plus haut que votre taille.
- Avant de commencer la coupe, attendez que l'outil de coupe atteigne une vitesse constante après avoir tiré la commande d'accélérateur.
- Lorsque vous utilisez des lames métalliques, tournez l'outil en demi-cercle de droite à gauche, comme si vous utilisiez une faux.

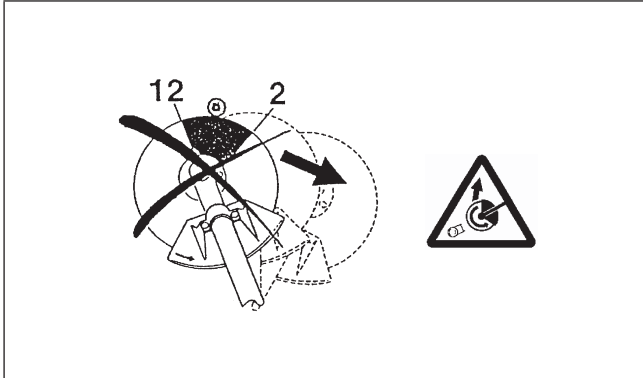
Outils de coupe

- Utilisez un outil de coupe approprié pour le travail à effectuer. Les têtes à fils nylon (têtes à fouets de nylon) conviennent pour couper le gazon. Les lames métalliques conviennent pour couper les herbes hautes, les buissons, les arbustes, les broussailles, les fourrés, etc. N'utilisez jamais d'autres lames, y compris les chaînes multiples pivotantes métalliques et les lames à fléaux. Ces accessoires peuvent causer de graves blessures.

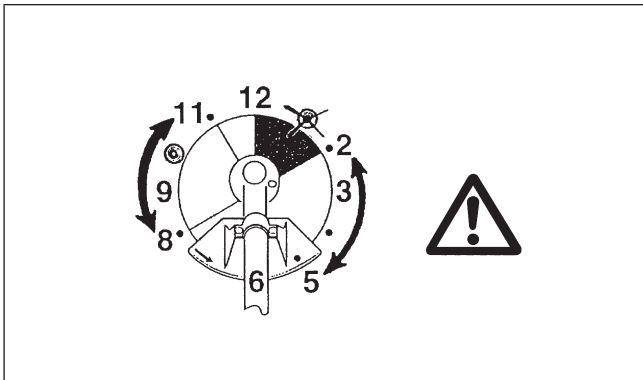
- Utilisez toujours le dispositif de protection qui convient à l'outil de coupe utilisé.
- Lorsque vous utilisez des lames métalliques, évitez les mouvements de recul et soyez toujours prêt en cas de mouvement de recul accidentel. Consultez la section « Mouvement de recul ».

Mouvement de recul (Effet de rebond de la lame)

- Un mouvement de recul (effet de rebond de la lame) est une réaction brusque à une lame de coupe coincée. Si cela se produit, l'outil est projeté sur le côté ou en direction de l'opérateur avec beaucoup de force provoquant ainsi des blessures graves.
- Les mouvements de recul se produisent particulièrement lors de l'application du segment de coupe entre 12h et 2h sur des objets solides, des buissons ou des arbres d'au moins 3 cm de diamètre.



- Pour éviter les mouvements de recul :
 - appliquez le segment entre 8h et 11h ;
 - n'appliquez jamais le segment entre 12h et 2h ;
 - n'appliquez jamais le segment entre 11h et 12h et entre 2h et 5h, à moins que l'opérateur ne soit bien formé et n'ait une bonne expérience et qu'il le fasse en connaissance de cause ;
 - n'utilisez jamais les lames de coupe sur des objets solides tels que des clôtures, des murs, des troncs d'arbres et des pierres ;
 - n'utilisez jamais les lames de coupe à la verticale pour des opérations telles que la coupe des bordures et des haies.



Vibrations

- Des détériorations au niveau des vaisseaux sanguins ou du système nerveux peuvent se produire chez des personnes souffrant de troubles circulatoires et trop souvent soumises à des vibrations. Les symptômes pouvant apparaître à la suite de vibrations au niveau des doigts, des mains ou des articulations sont les suivants : engourdissement des membres, chatouillements, douleurs, points et altération de la peau (notamment, le changement de couleur). Si ces symptômes apparaissent, consultez un médecin.
- Pour éviter le phénomène du « doigt mort », assurez-vous de garder vos mains au chaud durant l'utilisation de l'outil et de préserver le bon état de l'outil et de ses accessoires.

Transport

- Avant de transporter l'équipement, coupez le moteur et retirez le capuchon de la bougie d'allumage ou la batterie. Fixez la housse à la lame de coupe.

- Transportez l'équipement à l'horizontale en le tenant par l'axe. Éloignez le silencieux chaud de votre corps.
- Lorsque vous transportez l'équipement dans un véhicule, fixez-le solidement pour qu'il ne tombe pas. Dans le cas contraire, l'essence pourrait se renverser et endommager l'équipement et autres bagages.


Entretien

- Faites réparer votre équipement par nos centres de services agréés, qui n'utilisent que des pièces de rechange d'origine. Des réparations mal exécutées et un mauvais entretien peuvent réduire la durée utile de l'équipement et accroître les risques d'accident.
- Avant tout entretien, réparation ou nettoyage, coupez toujours le moteur et retirez le capuchon de la bougie d'allumage ou la batterie. Laissez le moteur refroidir.
- Pour limiter le risque d'incendie, ne réparez jamais l'équipement à proximité d'un feu.
- Portez toujours des gants de protection lorsque vous manipulez la lame de coupe.
- Ôtez la poussière et les saletés de l'équipement. N'utilisez jamais d'essence, de benzine, de solvant, d'alcool ou tout autre produit similaire pour cela. Cela pourrait décolorer, déformer ou craqueler les composants en plastique.
- Après chaque utilisation, serrez toutes les vis et les écrous, sauf les vis de réglage du carburateur.
- Ne tentez jamais un entretien ou une réparation qui ne figure pas dans ce mode d'emploi ou le manuel d'instructions du groupe moteur. Adressez-vous à un centre de services agréé Makita pour cela.
- Utilisez exclusivement des pièces de rechange et accessoires Makita d'origine. L'utilisation de pièces de rechange et accessoires d'un fabricant tiers peut entraîner une panne de l'équipement, des dégâts matériels et/ou des blessures graves.
- Adressez-vous à un centre de services agréé Makita pour une inspection et un entretien de l'équipement à intervalles réguliers.

Entreposage

- Avant d'entreposer l'équipement, procédez à un nettoyage et un entretien complets. Retirez le capuchon de la bougie d'allumage ou la batterie. Vidangez l'essence une fois le moteur refroidi. Fixez la housse à la lame de coupe.
- Entreposez l'équipement dans un endroit sec et en hauteur ou dans une pièce fermée à clé, hors de portée des enfants.
- N'appuyez pas l'équipement contre quelque chose, comme un mur. Il pourrait tomber soudainement et provoquer des blessures.

Premiers soins

-  Vous devez toujours avoir une trousse de premiers soins à portée de main. Remplacez sans délai tout article utilisé dans la trousse de premiers soins.
- Si vous contactez les secours, veuillez indiquer :
 - le lieu de l'accident
 - les conditions de l'accident
 - le nombre de personnes blessées
 - la nature des blessures
 - votre nom

Montage et réglage

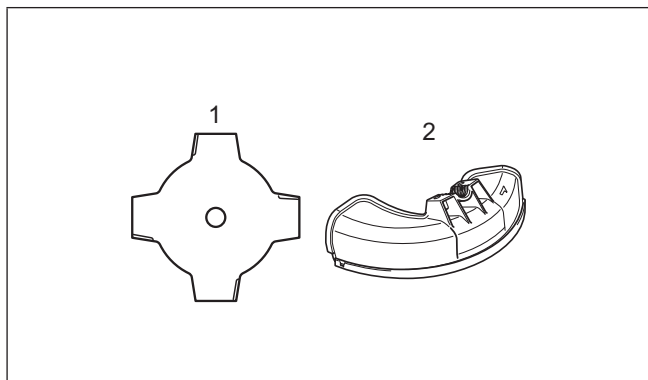
AVERTISSEMENT :

- Avant d'assembler ou de régler l'équipement, coupez le moteur et retirez le capuchon de la bougie d'allumage ou la batterie. Sinon, l'outil de coupe ou d'autres pièces pourraient se mettre en mouvement et occasionner de graves blessures.
- Portez des gants de protection avant de manipuler la lame de coupe. Pendant le montage ou le réglage, vous pourriez vous blesser grièvement si vos doigts touchaient la lame de coupe.
- Lorsque vous assemblez ou réglez l'équipement, posez-le toujours sur le sol. Le montage ou le réglage de l'équipement en position verticale peut entraîner de graves blessures.
- Respectez les avertissements et précautions figurant dans le chapitre « Précautions de sécurité » et le manuel d'instructions du groupe moteur.

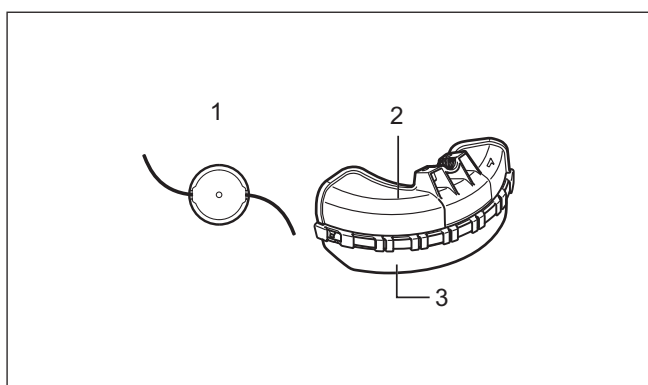
Installation du protecteur

⚠ AVERTISSEMENT :

N'utilisez jamais l'outil sans le protecteur indiqué en place. Dans le cas contraire, vous risqueriez de provoquer des blessures graves.



1. Lame de coupe
2. Protecteur



1. Tête à fils nylon
2. Protecteur
3. Rallonge du protecteur

⚠ ATTENTION :

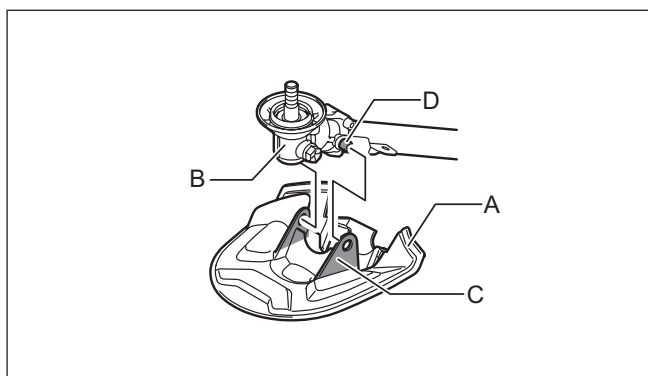
Ne touchez pas le coupe-fil du protecteur. Vous pourriez vous blesser en touchant le coupe-fil à mains nues.

Le protecteur doit être installé pour protéger l'opérateur de tout contact avec l'outil de coupe ainsi que les pierres et débris projetés. Lors de l'utilisation d'une tête à fils nylon, la rallonge du protecteur doit également être installée pour maintenir la longueur de la tête à fils nylon.

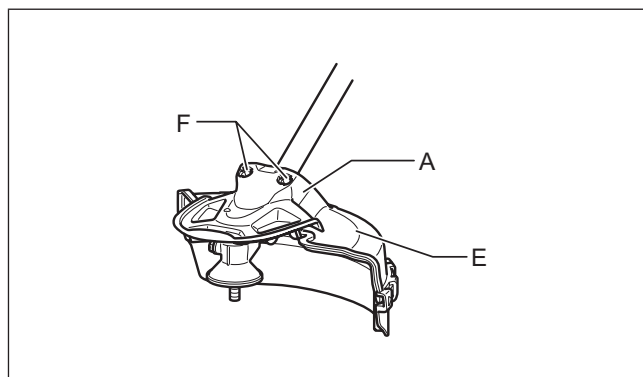
Installez le protecteur comme indiqué dans les étapes suivantes.

1. Fixez le cache du protecteur (A) dans le carter d'engrenage (B). Poussez doucement les ailettes (C) vers l'extérieur et placez les boulons (D) dans les trous correspondants.

AVIS : Ne poussez pas trop les ailettes vers l'extérieur. Elles risqueraient de se casser.

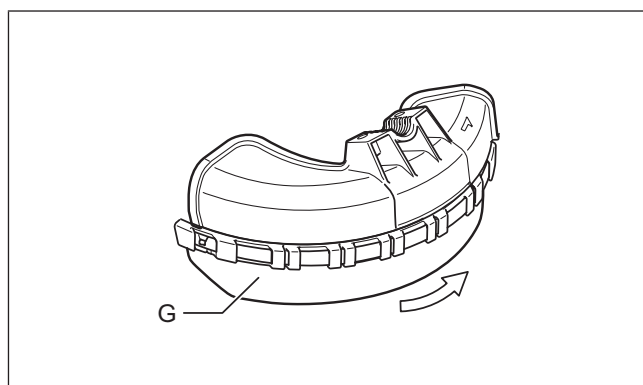


2. Fixez le protecteur (E) sur le cache du protecteur (A) avec deux boulons (F). Serrez les boulons de droite et de gauche avec la même force.

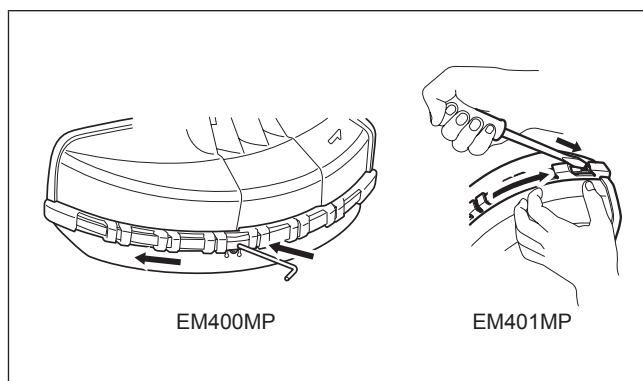


3. Lors de l'utilisation d'une tête à fils nylon, montez la rallonge du protecteur (G). Placez la rallonge du protecteur dans la piste de montage fournie sur le côté inférieur du protecteur. Faites-le glisser jusqu'à ce que la rallonge du protecteur s'encliquette et se verrouille en place. La rallonge du protecteur est conçue pour ne pouvoir être montée que dans un sens.

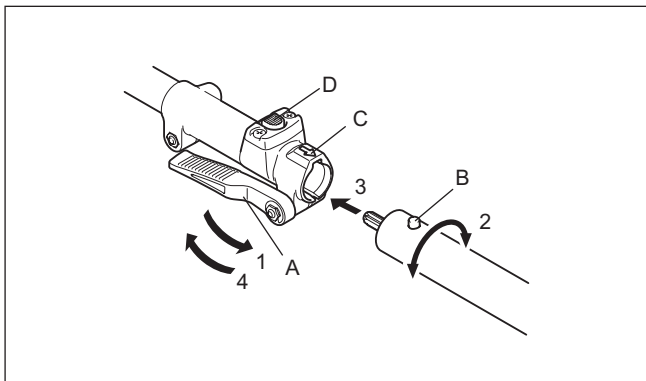
REMARQUE : Retirez le ruban adhésif fixé sur le coupe-fil servant à couper le fil de nylon sur la rallonge du protecteur lors de la première utilisation.



Pour retirer la rallonge du protecteur, placez une clé hexagonale ou un tournevis à tête plate sur la petite encoche située sur l'écrou de verrouillage. Appuyez sur l'écrou de verrouillage tout en faisant coulisser la rallonge du protecteur inférieure dans le sens indiqué sur la figure. Une fois que la rallonge du protecteur commence à coulisser, elle est déverrouillée et il est possible de la retirer en continuant à la faire coulisser du protecteur.



Montage de la tête sur un groupe moteur



Pour monter la tête sur un groupe moteur, suivez les étapes ci-dessous.

1. Veillez à ce que le levier de verrouillage (A) soit desserré.
2. Alignez la broche (B) avec la flèche (C).
3. Insérez l'axe dans l'arbre d'entraînement du groupe moteur jusqu'à ce que le bouton de déverrouillage (D) sorte.
4. Serrez à fond le levier de verrouillage (A) comme illustré.

Pour retirer la tête, desserrez le levier de verrouillage, appuyez sur le bouton de verrouillage et tirez l'axe.

AVIS : ne serrez pas le levier de verrouillage (A) sans que l'axe de la tête ne soit inséré. Sinon, le levier de verrouillage pourrait trop serrer l'entrée de l'arbre d'entraînement et l'endommager.

Retrait et installation d'une lame de coupe

⚠ AVERTISSEMENT :

- Le diamètre extérieur de la lame de coupe doit être de 230 mm (9"). N'utilisez jamais une lame dont le diamètre extérieur est supérieur à 230 mm (9").

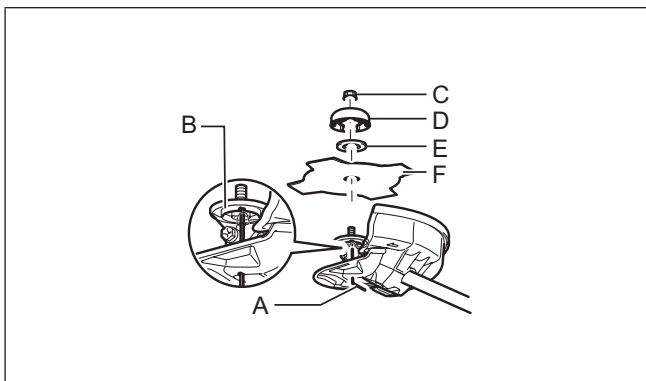
⚠ ATTENTION :

- La lame de coupe doit être correctement polie, et n'être ni craquelée, ni brisée. Polissez ou remplacez la lame de coupe toutes les trois heures.
- Portez toujours des gants lorsque vous manipulez la lame de coupe.
- Fixez toujours la housse de la lame lorsque l'outil n'est pas utilisé ou transporté.
- L'écrou de fixation de la lame de coupe (avec rondelle frein) est une pièce consommable. En cas d'usure ou de déformation de la rondelle frein, remplacez l'écrou. Demandez à votre centre de services agréé de le commander.

AVIS :

- Assurez-vous d'utiliser une lame de coupe Makita d'origine.

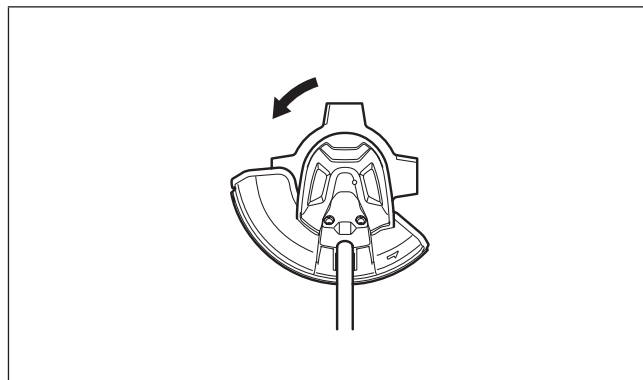
Retournez l'outil pour pouvoir remplacer facilement la lame de coupe.



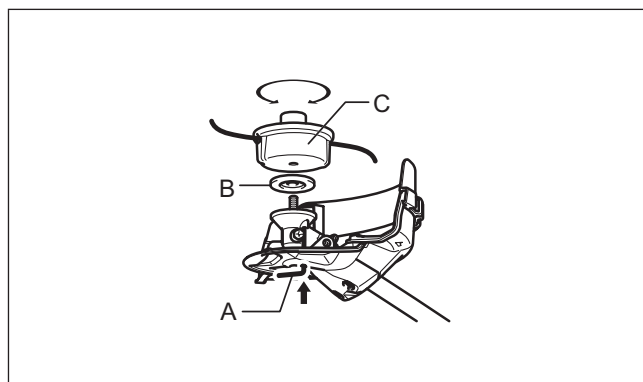
1. Pour retirer l'ancienne lame de coupe, insérez la clé hexagonale (A) dans le trou du cache du protecteur et du carter d'engrenage.
2. Tournez la rondelle d'appui (B) jusqu'à ce qu'elle soit verrouillée par la clé hexagonale (A).
3. Desserrez l'écrou hexagonal (C) dans le sens des aiguilles d'une montre avec la clé à douille et retirez l'écrou (C), la protection (D), la rondelle de serrage (E) et l'ancienne lame de coupe (F).
4. Fixez la lame de coupe (F) sur l'axe de façon à ce que le guide

de la rondelle d'appui (B) s'insère dans l'alésage central de la lame de coupe.

5. Installez la rondelle de serrage (E) et la protection (D). Serrez l'écrou hexagonal (C) dans le sens inverse des aiguilles d'une montre avec un couple de serrage de 13 à 23 Nm tout en maintenant la rondelle d'appui (B) avec la clé hexagonale (A).
6. Retirez la clé hexagonale (A). Veillez à ce que la lame se lève vers la gauche.



Retrait et installation d'une tête à fils nylon



⚠ ATTENTION :

Ne touchez pas le coupe-fil du protecteur. Vous pourriez vous blesser en touchant le coupe-fil à mains nues.

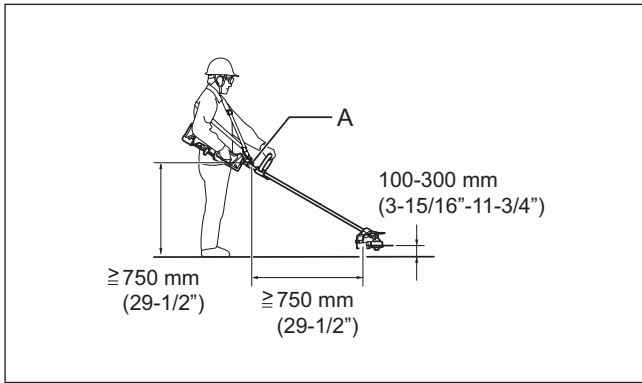
1. Pour retirer l'ancienne tête à fils nylon, insérez la clé hexagonale (A) dans le trou du cache du protecteur et du carter d'engrenage.
2. Tournez la rondelle d'appui (B) jusqu'à ce qu'elle soit verrouillée par la clé hexagonale (A).
3. Tournez l'ancienne tête à fils nylon (C) dans le sens des aiguilles d'une montre pour la desserrer et la retirer.
4. Placez une nouvelle tête à fils nylon (C) sur l'axe. Tournez-la dans le sens inverse des aiguilles d'une montre tout en serrant la rondelle d'appui (B) avec la clé hexagonale (A). Veillez à ce qu'elle soit solidement installée.
5. Retirez la clé hexagonale (A).

Fonctionnement

⚠ AVERTISSEMENT :

- Si l'outil de coupe tourne au ralenti, abaissez la vitesse de ralenti du moteur. Sinon il vous sera impossible d'arrêter l'outil de coupe à l'aide du levier d'accélérateur et vous pourriez vous blesser grièvement.
- Respectez les avertissements et précautions figurant dans le chapitre « Précautions de sécurité » et le manuel d'instructions du groupe moteur.

Réglage de la position du bras d'articulation et du harnais



⚠ AVERTISSEMENT :

N'utilisez pas l'outil s'il n'est pas possible d'ajuster la position de l'attache et la longueur de la sangle d'épaule à l'intérieur de la plage de réglage illustrée. Utiliser l'outil avec un poids mal équilibré peut entraîner l'outil de coupe vers le haut et entraîner une blessure.

Lors du remplacement d'un accessoire par un autre, l'équilibre de poids de l'outil peut changer. Dans ce cas, réglez la position du bras d'articulation et la longueur du harnais comme suit.

Pour changer la position du bras d'articulation, desserrez l'écrou de fixation du bras puis retirez-le (A).

Réglez la position du bras d'articulation et la longueur du harnais afin que :

- le bras d'articulation soit à 750 mm (29-1/2") au moins du sol,
- l'outil de coupe soit entre 100 mm (3-15/16") et 300 mm (11-3/4") du sol et
- la partie non protégée de l'outil de coupe soit horizontalement à 750 mm (29-1/2") au moins du bras d'articulation.

Une fois le bras d'articulation réglé, serrez fermement la vis avec une clé hexagonale ou un tournevis (selon le groupe moteur).

Utilisation d'une tête à fils nylon

Pendant l'utilisation, utilisez l'extrémité du fil en nylon pour la coupe. Lorsque le fil en nylon s'use et se raccourcit à cause de la coupe, l'opérateur doit procéder manuellement à l'alimentation.

Pour l'alimentation du fil en nylon, tapotez la tête à fils nylon sur le sol pendant qu'elle tourne à environ 6 000 min⁻¹.

REMARQUE :

- Si le fil en nylon ne sort pas, rembobinez-le. Reportez-vous au chapitre « Inspection et entretien ».

Inspection et entretien

⚠ AVERTISSEMENT :

- Avant d'inspecter ou d'entretenir l'équipement, coupez le moteur et retirez le capuchon de la bougie d'allumage ou la batterie. Sinon, l'outil de coupe ou d'autres pièces pourraient se mettre en mouvement et occasionner de graves blessures.
- Lorsque vous inspectez ou entretenez l'équipement, posez-le toujours sur le sol. Le montage ou le réglage de l'équipement en position verticale peut entraîner de graves blessures.
- Respectez les avertissements et précautions figurant dans le chapitre « Précautions de sécurité » et le manuel d'instructions du groupe moteur.

Réaffûtage de l'outil de coupe

⚠ AVERTISSEMENT :

Ne réaffûtez pas vous-même les lames de coupe. Un réaffûtage manuel déséquilibre une lame de coupe et peut provoquer des vibrations et des dégâts à l'outil.

Demandez au centre de services agréé Makita de réaffûter et de

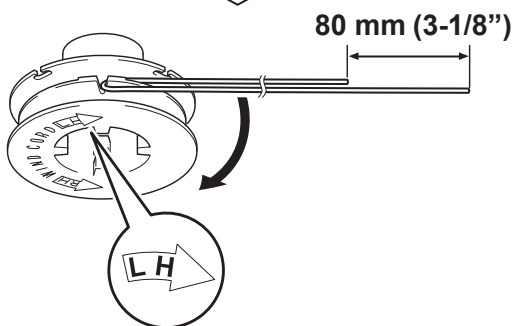
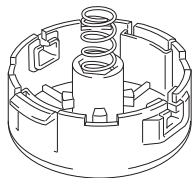
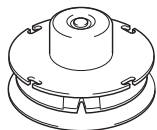
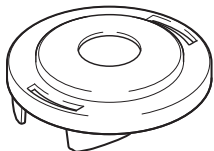
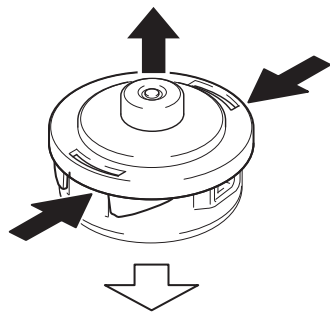
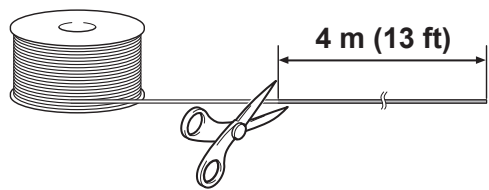
rééquilibrer les lames de coupe.

Remplacement du fil de nylon

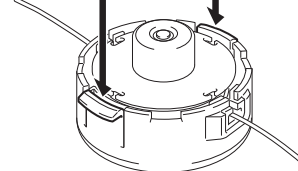
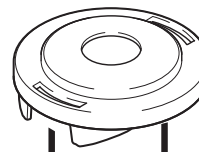
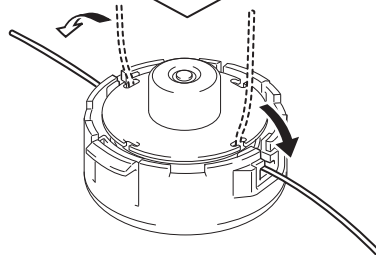
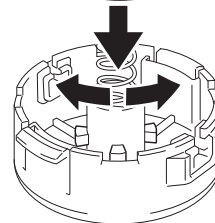
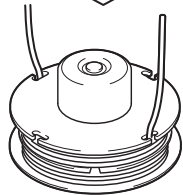
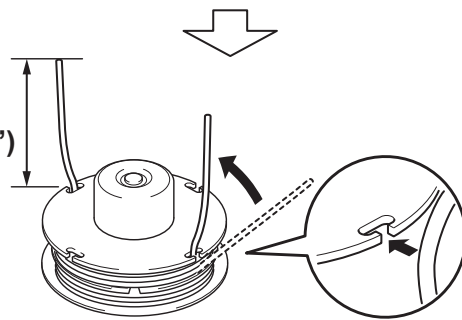
⚠ AVERTISSEMENT :

Pour la tête à fils de nylon de type à frappe et alimentation, assurez-vous que le couvercle de la tête à fils de nylon est fixé adéquatement au boîtier, tel que décrit ci-dessous. Si le couvercle n'est pas bien fixé, la tête à fils de nylon risque de voler en éclats et de vous blesser grièvement.

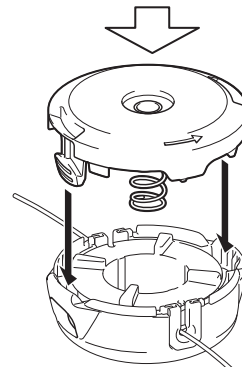
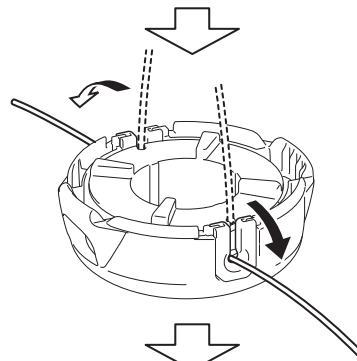
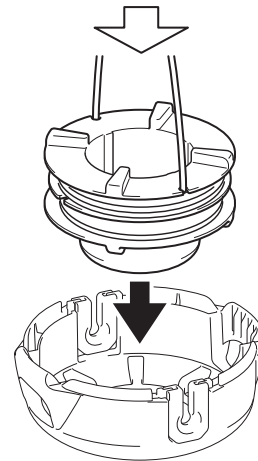
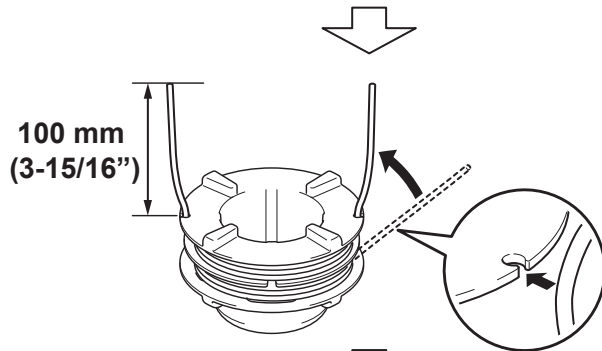
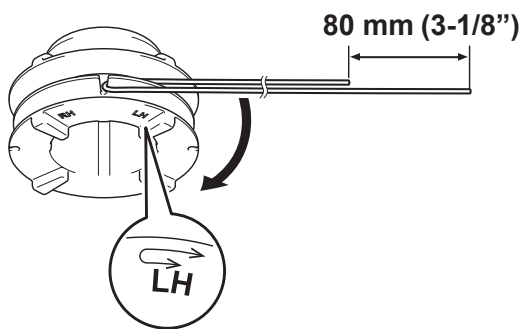
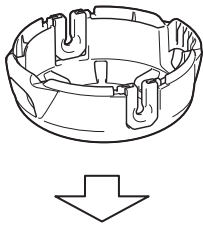
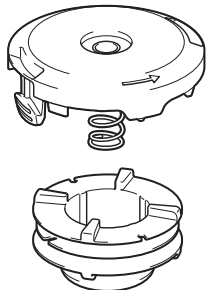
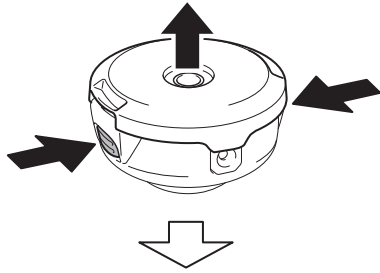
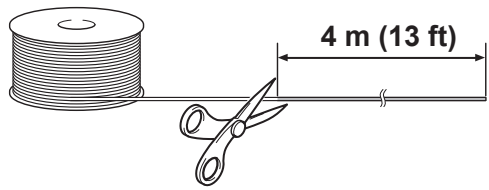
La méthode de remplacement du fil de nylon varie suivant le type d'outil de coupe. Remplacez le fil de nylon si l'alimentation en fil ne s'effectue plus.



100 mm
(3-15/16")



Frappe et alimentation

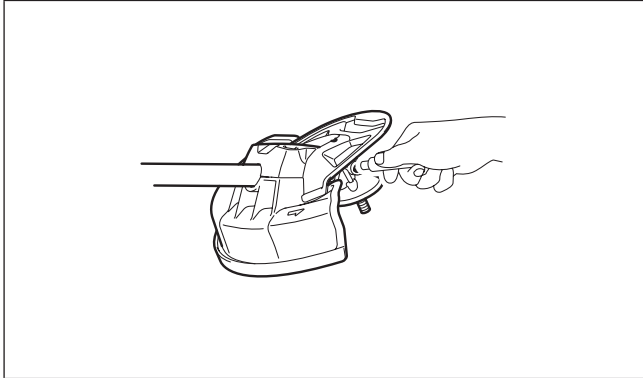


Lubrification des pièces mobiles

AVIS : respectez les instructions fournies sur la fréquence et la quantité de graisse. Sinon, une lubrification insuffisante peut endommager les pièces mobiles.

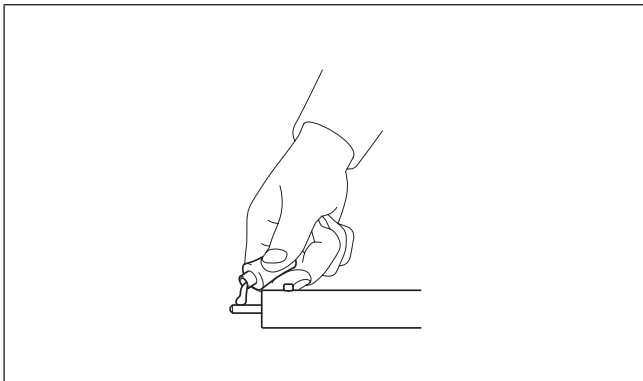
Carter d'engrenage :

Appliquez de la graisse (Shell Alvania 2 ou équivalent) sur le carter d'engrenage par l'orifice de lubrification toutes les 30 heures d'utilisation. (Le lubrifiant Makita est disponible auprès de votre vendeur Makita local.)



Arbre d'entraînement :

Appliquez de la graisse (Shell Alvania N 2 ou équivalent) toutes les 30 heures d'utilisation.



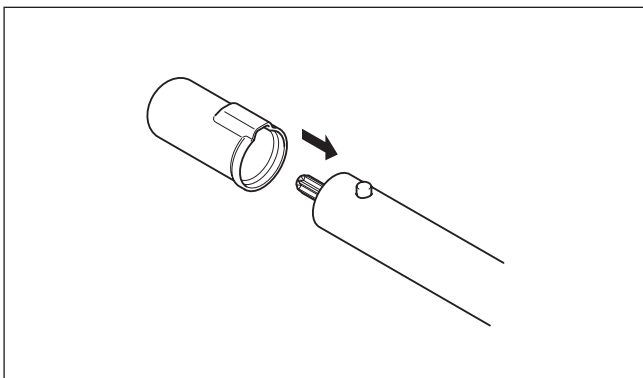
Inspection générale

- Serrez les boulons, écrous et vis desserrés.
- Vérifiez si des pièces sont endommagées. Adressez-vous à un centre de services agréé Makita pour les remplacer.

Entreposage

⚠ AVERTISSEMENT :

Respectez les avertissements et précautions figurant dans le chapitre « Précautions de sécurité » et le manuel d'instructions du groupe moteur.



Lorsque vous entreposez la tête débroussailleuse dépourvue de son groupe moteur, placez le cache à l'extrémité de l'axe.

Programme d'entretien

Heures d'utilisation		Avant utilisation	Tous les jours (10 h)	30 h	Au besoin	Page correspondante
Appareil tout entier	Vérifier visuellement si des pièces sont endommagées	○				22
Tous les écrous et vis de fixation	Serrer	○				22
Carter d'engrenage	Graisser			○		22
Arbre d'entraînement	Graisser			○		22
Lame de coupe	Vérifier visuellement s'il y a des dommages	○	○			19
Groupe moteur	Voir le manuel d'instructions du groupe moteur					

Dépannage

Problème	Cause probable	Solution
Le moteur ne démarre pas.	Voir le manuel d'instructions du groupe moteur.	
Le moteur s'arrête peu après le démarrage.		
La vitesse maximale est limitée.		
L'outil de coupe ne pivote pas. → Coupez le moteur immédiatement !	L'outil de coupe n'est pas suffisamment serré.	Bien serrer l'outil de coupe.
	Une brindille est coincée entre l'outil de coupe et le protecteur.	Retirer le corps étranger.
	Le système d'entraînement ne fonctionne pas correctement.	S'adresser à un centre de services agréé Makita pour une inspection et une réparation.
Le corps vibre de façon anormale. → Coupez le moteur immédiatement !	L'outil de coupe est tordu, usé ou cassé.	Remplacer l'outil de coupe.
	L'outil de coupe n'est pas suffisamment serré.	Bien serrer l'outil de coupe.
	L'une des extrémités du fil en nylon est cassée et la tête à fils nylon est déséquilibrée.	Alimenter le fil en nylon en tapotant la tête à fils nylon sur le sol.
	La lame de coupe n'est pas placée sur le guide de la rondelle d'appui.	Installez correctement la lame de coupe.
	Le système d'entraînement ne fonctionne pas correctement.	S'adresser à un centre de services agréé Makita pour une inspection et une réparation.
L'outil de coupe ne s'arrête pas. → Coupez le moteur immédiatement !	Le groupe moteur ne fonctionne pas correctement.	Voir le manuel d'instructions du groupe moteur.
L'alimentation du fil en nylon est impossible.	Il n'y a plus de fil ou il est emmêlé dans la bobine.	Rembobiner le fil.
Le fil en nylon n'est pas coupé à la longueur qui convient.	Le coupe-fil sur le protecteur est endommagé ou manquant.	S'adresser à un centre de services agréé Makita pour le remplacement du coupe-fil.
	Le fil sort au-delà du protecteur.	Rembobiner le fil.

Données techniques

Modèle		EM400MP	EM401MP
Dimensions (L x P x H)	mm (pouce)	876 x 374 x 211 (34-1/2" x 14-3/4" x 8-5/16")	907 x 310 x 220 (35-3/4" x 12-1/4" x 8-5/8")
Diamètre du fil de nylon	mm (pouce)	2,4 (0,09)	2,7 (0,1)
Poids net (Hors protecteur et lame)	kg (lb)	1,0 (2,2)	1,0 (2,2)
Diamètre de la lame de coupe	mm (pouce)	230 (9")	230 (9")
Diamètre de coupe avec la tête à fils nylon	mm (pouce)	420 (16-1/2")	300 (12")
Rapport de transmission		14/19	

Contenido

	Página
Contenido	24
Prefacio	24
Símbolos	24
Equipo motorizado aprobado	25
Descripción de la pieza	25
Medidas de seguridad	25
Ensamble y ajuste	28
Operación	30
Inspección y mantenimiento	30
Almacenamiento	33
Programa de mantenimiento	34
Resolución de problemas	34
Información técnica	34

Prefacio

Muchas gracias por la adquisición de su accesorio para desbrozadora Makita. Este aditamento está diseñado para instalarse en el equipo motorizado Makita que se menciona en este manual de instrucciones.

Antes de usar, por favor lea este folleto, así como el manual de instrucciones del equipo motorizado. Esto le ayudará a obtener un óptimo resultado de su accesorio para desbrozadora Makita.

Símbolos

Los siguientes símbolos aparecen en el aditamento y en este manual de instrucciones. Asegúrese de entender su significado.



Tenga especial cuidado y atención.



Lea el manual de instrucciones.



Peligro; esté atento a los objetos que salgan arrojados.



La distancia entre la herramienta y las personas alrededor debe ser al menos de 15 m (50 ft).



Mantenga alejadas a las personas de alrededor.



Mantenga una distancia al menos de 15 m (50 ft).



Evite los retrocesos bruscos.



Use casco protector, así como equipo protector para los ojos y los oídos.



Use guantes protectores.



Use botas resistentes con suelas antiderrapantes. Se recomienda el uso de botas de seguridad con punta de acero.



Velocidad máxima permitida de la herramienta.



¡Prohibido!



Primeros auxilios

Equipo motorizado aprobado

Este aditamento está aprobado para ser utilizado solamente con lo(s) siguientes(s) equipo(s) motorizado(s):

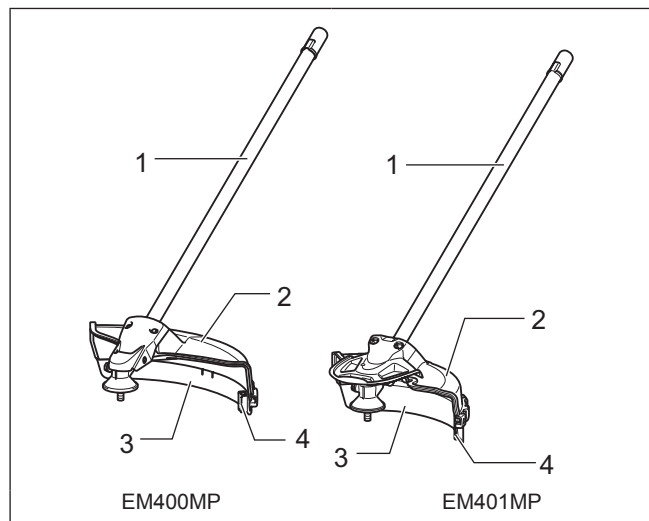
Para EM400MP
EX2650LH Multifuncional

Para EM401MP
EX2650LH Multifuncional

⚠ ADVERTENCIA:

Nunca use el aditamento con un equipo motorizado no aprobado. Una combinación no aprobada puede resultar en lesiones graves.

Descripción de la pieza



Los números a continuación hacen referencia a la ilustración.

1. Eje
2. Protector (protector de la pieza cortadora)
3. Extensión del protector
4. Cortador del cordón

Medidas de seguridad

⚠ ADVERTENCIA:

Lea todas las advertencias de seguridad, así como todas las instrucciones en ese folleto y en el manual de instrucciones del equipo motorizado. No seguir todas las advertencias e instrucciones que se presentan a continuación puede que resulte en descarga eléctrica, incendio y/o graves lesiones.

Guarde todas las advertencias e instrucciones para referencia futura.

Los términos “desbrozadora” y “equipo” en las advertencias y precauciones hacen referencia a la combinación del aditamento y equipo motorizado.

El término “motor” en las advertencias y precauciones hace referencia al motor o motor eléctrico del equipo motorizado.

Uso destinado

- Este aditamento está diseñado solamente con el propósito de cortar césped, maleza, arbustos y cizaña al usarse en conjunto con un equipo motorizado aprobado. Nunca use el aditamento para otros propósitos. Puede que el uso inapropiado del aditamento resulte en graves lesiones.

Precauciones generales

- Antes de arrancar la desbrozadora, lea este folleto y el manual de instrucciones del equipo motorizado para familiarizarse con el manejo del equipo.
- No preste el aditamento a ninguna persona sin suficiente experiencia o conocimiento en el manejo de desbrozadoras.

- Al prestar el aditamento, incluya siempre este manual de instrucciones.
- No permita que los niños ni las personas menores de 18 años usen la desbrozadora. Manténgalos alejados de la desbrozadora.
- Use la desbrozadora con máxima precaución y atención.
- Nunca use la desbrozadora después de haber consumido bebidas con alcohol, drogas, medicamentos, o si se siente cansado o enfermo.
- Nunca intente hacer alteraciones en el aditamento.
- Siga las regulaciones en su país sobre el manejo de desbrozadoras.

Equipo protector personal

- Use casco de seguridad, así como gafas y guantes de protección para protegerse a sí mismo de residuos que salgan arrojados u objetos que caigan.



- Use protección para los oídos, como orejeras, para prevenir la pérdida auditiva.
- Use vestimenta y calzado apropiados para una operación segura, como overol de trabajo y zapato resistente con suela antiderrapante. No use ropa holgada ni joyas o alhajas. Las ropa suelta, al igual que las alhajas y el cabello largo, pueden engancharse en las partes móviles.
- Use guantes protectores al tocar la cuchilla cortadora. Las cuchillas cortadoras pueden ocasionar graves cortaduras a las manos expuestas.

Seguridad en el área de trabajo

- Opere el equipo sólo bajo entornos con visibilidad e iluminación diurna adecuadas. No use el equipo en lugares oscuros o con neblina.
- Arranque y opere el motor sólo en lugares en el exterior que cuenten con buena ventilación. La operación en un lugar confinado con ventilación insuficiente puede resultar en muerte por sofocación (ahogamiento) o intoxicación con monóxido de carbono.
- Durante la operación, nunca se pare sobre una superficie que sea inestable, resbalosa o inclinada. Durante época invernal, esté atento del hielo y la nieve, y asegúrese de pisar el suelo con estabilidad y firmeza.
- Durante la operación, mantenga a las personas alrededor, así como las mascotas al menos a 15 m de distancia del equipo. Pare el motor tan pronto alguien se aproxime.
- Antes de la operación, inspeccione el área de trabajo para ver si hay piedras y otros objetos duros. Éstos pueden salir arrojados o causar un retroceso brusco del equipo, lo cual puede resultar en graves lesiones y/o daños a la propiedad.
- ⚠ ADVERTENCIA: El uso de este producto puede generar polvo que contenga sustancias químicas que pueden causar enfermedades respiratorias, entre otros males.

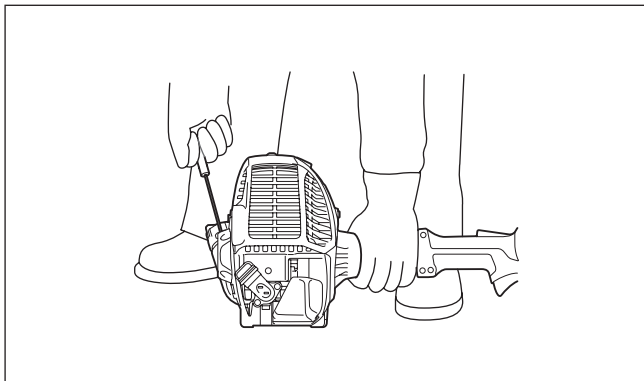
Algunos ejemplos de estos químicos son los compuestos que se encuentran en los pesticidas, insecticidas, fertilizantes y herbicidas. El riesgo al que se expone variará, dependiendo de la frecuencia con la que realice este tipo de trabajo. Para reducir la exposición a estos productos químicos: trabaje en un área bien ventilada, y póngase el equipo de seguridad indicado, tal como las máscaras contra el polvo que están especialmente diseñadas para filtrar partículas microscópicas.

Activación del equipo

- Antes de ensamblar o hacer ajustes en el equipo, apague el motor y quite la tapa de la bujía de encendido o el cartucho de la batería.
- Use guantes protectores antes de manipular de la cuchilla cortadora.
- Antes de arrancar el motor, inspeccione el equipo para ver si hay daños, tuercas y tornillos flojos o algún ensamblado incorrecto. Afíle de la cuchilla cortadora que se haya desafilado. Reemplace de la cuchilla cortadora cuando se haya doblado o dañado. Compruebe que todas las palancas e interruptores puedan accionarse con facilidad. Limpie y seque los mangos.
- Nunca intente arrancar el motor si el equipo está dañado o no está completamente ensamblado. De lo contrario, esto puede que resulte en graves lesiones.
- Ajuste el arnés para la correa de hombro y la empuñadura de tal manera que se ajuste al tamaño del cuerpo del operador.

Arranque del motor

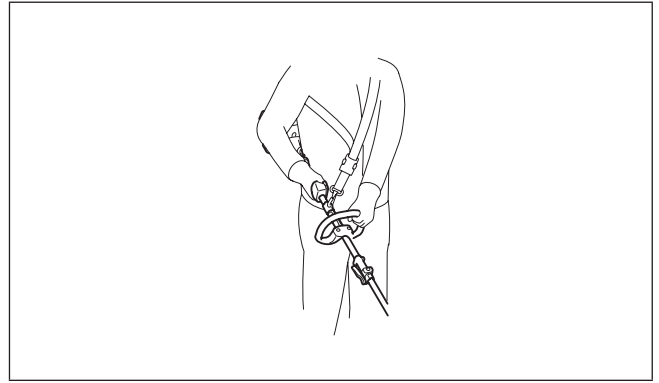
- Use el equipo de protección personal antes de arrancar el motor.
- Arranque el motor por lo menos a 3 metros (10 pies) de distancia del lugar de abastecimiento de combustible.
- Antes de arrancar el motor, asegúrese de que no haya personas ni animales en el área de trabajo.
- Cuando arranque el motor o coloque un cartucho de batería, mantenga la pieza cortadora alejada de su cuerpo y de cualquier otro objeto, incluyendo el suelo. Puede que dicha pieza se mueva al arrancar el motor y que cause graves lesiones o daños al equipo y/o a la propiedad.
- Coloque el equipo en suelo firme. Mantenga un buen equilibrio y pise firmemente el suelo.
- Al jalar la perilla del arrancador, sujete el equipo con firmeza contra el suelo con su mano izquierda. Nunca se pare sobre el eje de operación del equipo.



- Siga el manual de instrucciones del equipo motorizado para arrancar el motor.
- Si la pieza cortadora gira durante la marcha pasiva del motor, pare el motor y haga el ajuste para bajar la velocidad del motor en marcha pasiva.

Operación

- En el evento de alguna emergencia, apague el motor de inmediato.
- Si percibe algo que le parezca extraño (p.ej. ruido o vibración inusuales) durante la operación, apague el motor. No use el equipo hasta que la causa se haya reconocido y resuelto.
- La pieza cortadora continúa moviéndose durante un momento breve tras haber soltado el gatillo acelerador o apagado el motor. No se apresure en hacer contacto con la pieza cortadora.
- Coloque el arnés para la correa de hombro con el motor activo en marcha pasiva solamente.
- Durante la operación, use el arnés para la correa de hombro. Mantenga firmemente el equipo sobre su costado derecho.



- Sustenga el mango delantero con la mano izquierda y el mango trasero con la mano derecha, independientemente de que usted sea diestro o zurdo. Sujete con sus manos los mangos de tal forma que los dedos enrolien el mango encontrándose con el pulgar.
- No intente nunca operar el equipo con una sola mano. Puede que haya pérdida del control resultando en lesiones graves o mortales. Para reducir el riesgo de lesiones, mantenga sus manos y pies alejados de la pieza cortadora.
- No se exceda al querer alcanzar algo. Mantenga los pies firmes y el equilibrio en todo momento. Esté al tanto de obstáculos ocultos como troncos aún enterrados de árboles cortados, raíces y zanjas para evitar tropezones.
- Nunca trabaje estando sobre escaleras o árboles para evitar la pérdida del control.
- Si el equipo recibe un golpe fuerte o cae al suelo, revise su condición antes de continuar el trabajo. Revise el sistema de combustible para ver si hay fugas, así como los controles y dispositivos de seguridad para ver si hay alguna falla. Si hay cualquier daño o algo le resulta dudoso, solicite una inspección y servicio de reparación en un centro de servicio autorizado Makita.
- No toque la caja de cambios. La caja de cambios se calienta durante la operación.
- Tome un descanso para prevenir la pérdida del control debido a cansancio. Recomendamos tomar un descanso de 10 a 20 minutos por cada hora de trabajo.
- Siempre que vaya a dejar de atender el equipo, incluso durante un momento breve, apague el motor o quite el cartucho de la batería. Un equipo desatendido con el motor corriendo puede ser usado por una persona no autorizada y causar un grave accidente.
- Siga el manual de instrucciones del equipo motorizado para un uso correcto de la palanca de control y del interruptor.
- Durante o tras la operación, no coloque el equipo caliente sobre césped seco ni sobre material que pudiese prender fuego.
- Si las ramas o el césped quedan atrapados entre la pieza cortadora y el protector, pare el motor y quite la bujía de encendido o el cartucho de la batería siempre antes de despejar la obstrucción. De lo contrario, puede que ocurran graves lesiones con la rotación accidental de la cuchilla.
- En caso de que la herramienta golpee piedras u otros objetos duros, apague el motor de inmediato y haga una inspección de la pieza cortadora.
- Revise frecuentemente la pieza cortadora durante la operación para ver si hay grietas o daños. Antes de la inspección, apague el motor y espere a que la pieza cortadora se haya detenido completamente. Reemplace inmediatamente una pieza cortadora dañada, incluso cuando se trate solo de grietas en la superficie.
- No haga nunca cortes que le queden por encima de la altura de su cintura.
- Antes de iniciar la operación de corte, espere hasta que la pieza cortadora alcance velocidad constante tras haber accionado el gatillo.
- Al usar cuchillas metálicas, oscile la herramienta con movimientos semicirculares uniformes de derecha a izquierda, como al usar una segadora, hoz o guadaña.

Piezas cortadoras

- Use la pieza cortadora que corresponda con la operación a ser realizada. Las cabezas cortadoras de nailon (cabezas para desbrozadoras) son apropiadas para hacer recortes en el césped.

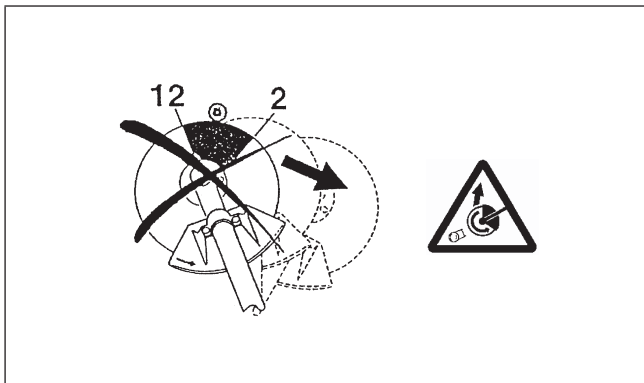
Las cuchillas metálicas son apropiados para cortar maleza, césped muy tupido, arbustos, broza, cizaña, matorrales y similares.

Nunca use otros cuchillas, incluyendo cadenas metálicas de múltiples piezas que giran alrededor de un pivote ni cuchillas horizontales. Esto puede que resulte en graves lesiones.

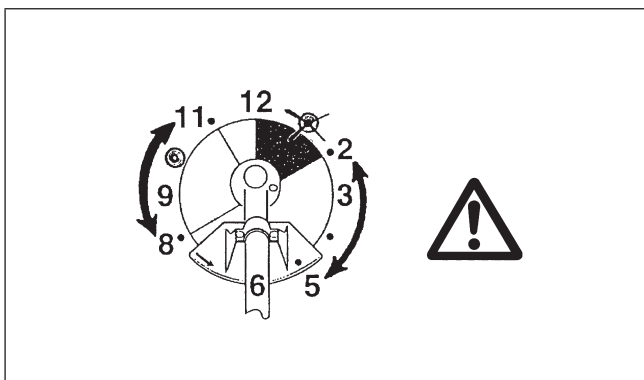
- Use siempre el protector de la pieza cortadora adecuado para la pieza cortadora a ser utilizada.
- Al usar cuchillas metálicas, evite el “retroceso brusco” y esté siempre preparado para un retroceso brusco accidental. Refiérase a la sección “Retrocesos bruscos”.

Retrocesos bruscos (propulsión en la cuchilla)

- Un retroceso brusco (propulsión en la cuchilla) consiste de una reacción repentina ante el atascamiento o rebote de una cuchilla cortadora. Una vez que ocurre, el equipo es arrojado por su costado o contra el operador con gran fuerza y puede que cause graves lesiones.
- El retroceso brusco ocurre especialmente al aplicar el segmento de la cuchilla a material sólido, arbustos o ramas con un diámetro de 3 cm o más a un ángulo que en un reloj se representaría entre las 12 y las 2 en punto.



- Para evitar el retroceso brusco:
 - aplique el segmento de la cuchilla a un ángulo que en un reloj se representaría entre las 8 y las 11 en punto;
 - nunca aplique el segmento de la cuchilla a un ángulo que en un reloj se representaría entre las 12 y las 2 en punto;
 - nunca aplique el segmento de la cuchilla a un ángulo que en un reloj se representaría entre las 11 y las 12 en punto ni entre las 2 y 5 en punto salvo que el operador cuente con suficiente experiencia y preparación y que lo haga bajo su propio riesgo;
 - nunca use cuchillas cortadoras en cercanía de objetos duros como cercos, paredes, troncos y piedras;
 - nunca use cuchillas cortadoras verticalmente, para operaciones como el corte de bordes y podado de setos.



Vibración

- Puede que las personas con deficiencia en su circulación sanguínea que estén expuestas a vibración excesiva sufran de lesiones en los vasos sanguíneos o el sistema nervioso. Puede que la vibración cause los siguientes síntomas generados en los dedos, manos o muñecas: Entumecimiento (adormecimiento de las partes del cuerpo), sensación de hormigueo, dolor y punción, así como alteraciones de la piel o del color de ésta. ¡Acuda a su médico si experimenta cualquiera de estos síntomas!

- Para reducir el riesgo de “enfermedad de dedeo blanco”, mantenga sus manos tibias durante la operación y dé un mantenimiento adecuado al equipo y los accesorios.

Transporte

- Antes de ensamblar el equipo, apague el motor y quite la tapa de la bujía de encendido o el cartucho de la batería. Coloque la cubierta para la cuchilla cortadora.
- Al transportar el equipo, cárguelo horizontalmente sujetándolo del eje. Mantenga el mofle que se encuentra caliente alejado de su cuerpo.
- Al estar transportando el equipo en un vehículo, fije la posición del equipo para evitar que se voltee. De lo contrario, puede que resulte en fugas de combustible, así como daños al equipo y a otros artículos.


Mantenimiento

- Lleve su equipo a que le den servicio de mantenimiento en un centro autorizado de servicio, y siempre uso piezas de repuesto originales. La reparación incorrecta y el mantenimiento deficiente pueden acortar la vida útil del equipo y aumentar el riesgo de accidentes.
- Antes de realizar cualquier servicio de reparación, mantenimiento o limpieza sobre el equipo, apague siempre el motor y quite la tapa de la bujía de encendido o el cartucho de la batería. Espere hasta que el motor se haya enfriado.
- Para reducir el riesgo de incendio, nunca realice servicios sobre el equipo en proximidad de las llamas de algún fuego.
- Use siempre guantes protectores al manipular la cuchilla cortadora.
- Elimine siempre la tierra y el polvo del equipo. Para este propósito, nunca use gasolina, bencina, diluyentes (tíner), alcohol o alguna sustancia similar. Puede que esto resulte en decoloración, deformación y grietas de las piezas de plástico.
- Tras cada uso, apriete todos los tornillos y las tuercas, excepto los que se usan para el ajuste del carburador.
- Nunca intente realizar algún procedimiento de mantenimiento o reparación que no se encuentre descrito en este folleto o en el manual de instrucciones del equipo motorizado. Para esos casos acuda a los centros de servicio autorizado de Makita.
- Use siempre piezas de repuesto y accesorios originales de Makita solamente. El uso de piezas o accesorios de otros fabricantes puede que resulte en averías del equipo, ocasionado daños a la propiedad y/o graves lesiones.
- Solicite de forma periódica a un centro de servicio autorizado de Makita que inspeccione y haga servicio de mantenimiento sobre el equipo.

Almacenamiento

- Antes de almacenar el equipo, proceda con limpiarlo y hacer el mantenimiento de forma cabal. Retire la tapa de la bujía de encendido o el cartucho de la batería. Drene el combustible después de que el motor se haya enfriado. Coloque la cubierta para la cuchilla cortadora.
- Almacene el equipo en un lugar seco y elevado o bajo llave para que no esté al alcance de los niños.
- No recargue el equipo contra alguna pared o similar. De lo contrario, puede que repentinamente se caiga causando alguna lesión.

Primeros auxilios

-  Tenga siempre a su alcance un juego de primeros auxilios.
 - Reponga inmediatamente cualquier artículo que haya utilizado de su juego de primeros auxilios.
- Al pedir ayuda, proporcione la siguiente información:
 - Lugar del accidente
 - Lo sucedido
 - Número de personas lesionadas
 - Descripción de la lesión
 - Su nombre

Ensamble y ajuste

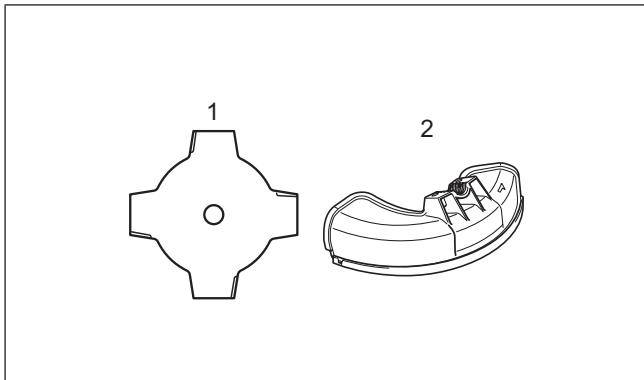
⚠ ADVERTENCIA:

- Antes de ensamblar o hacer ajustes en el equipo, apague el motor y quite la tapa de la bujía de encendido o el cartucho de la batería. De lo contrario, puede que la pieza cortadora u otras piezas se muevan resultando en graves lesiones.
- Use guantes protectores antes de manipular la cuchilla cortadora. Durante el ensamble o el ajuste, puede que sus dedos entren en contacto con la cuchilla cortadora ocasionando graves lesiones.
- Recueste el equipo siempre que lo vaya a ensamblar o al hacer ajustes en éste. Tener el equipo erguido en posición vertical durante el ensamblado o el ajuste puede resultar en graves lesiones.
- Siga las advertencias y precauciones que se indican en el capítulo "Medidas de seguridad", así como en el manual de instrucciones del equipo motorizado.

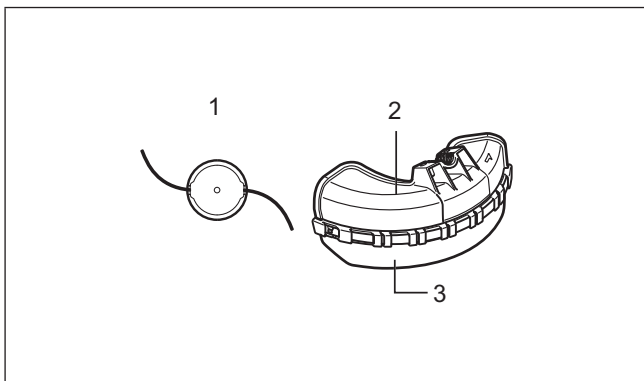
Instalación del protector

⚠ ADVERTENCIA:

Nunca use la herramienta sin el protector colocado como se muestra ilustrado. No seguir esta indicación puede resultar en graves lesiones.



1. Cuchilla cortadora
2. Protector



1. Cabeza cortadora de nailon
2. Protector
3. Extensión del protector

⚠ PRECAUCIÓN:

No toque el cortador del cordón en el protector. El contacto con las manos descubiertas puede resultar en lesión.

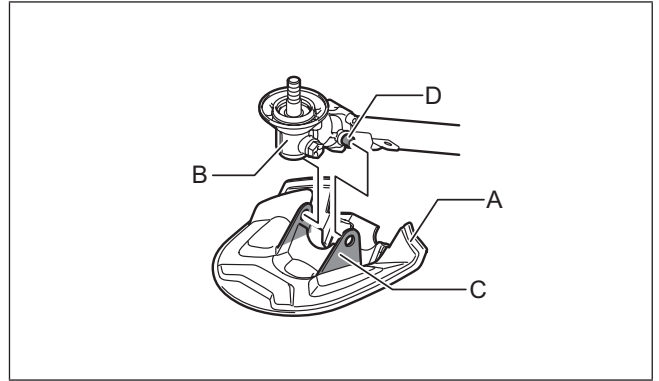
El protector debe instalarse para proteger al operador de piedras y residuos que salgan arrojados al hacer contacto con la pieza cortadora.

Al usar una cabeza cortadora de nailon, la extensión del protector también debe instalarse para mantener la longitud del cordón cortador de nailon.

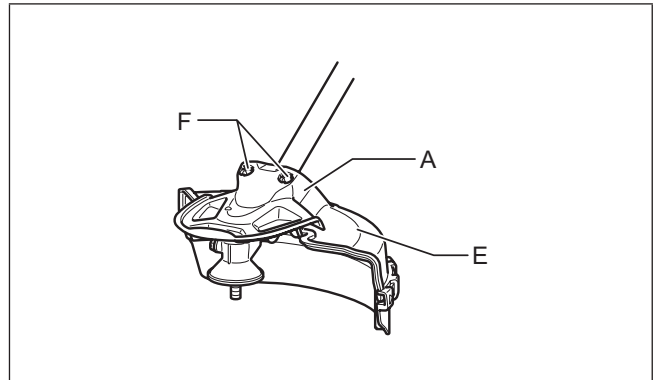
Instale el protector de acuerdo a los siguientes pasos.

1. Coloque la cubierta del protector (A) sobre la carcasa (B). Empuje levemente las orejetas (C) hacia afuera y ponga los pernos (D) en los orificios de las orejetas.

AVISO: No se exceda en empujar las orejetas hacia afuera demasiado. De lo contrario, puede que se rompan.

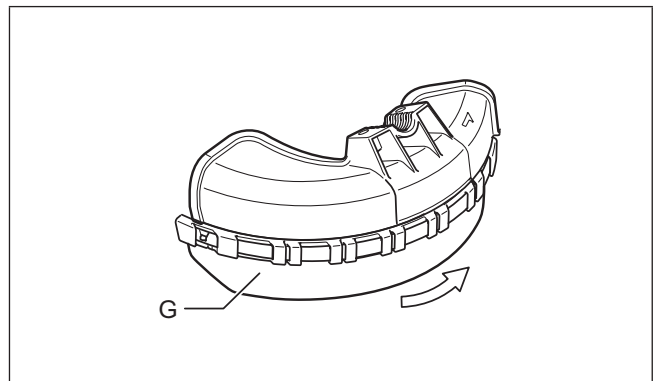


2. Fije el protector (E) a la cubierta del protector (A) con dos pernos (F). Apriete los pernos izquierdo y derecho a la misma magnitud.

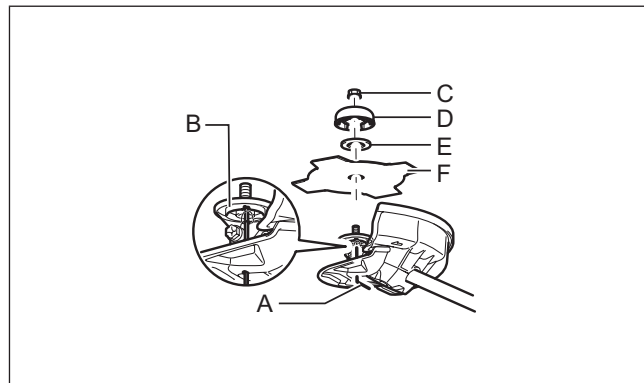
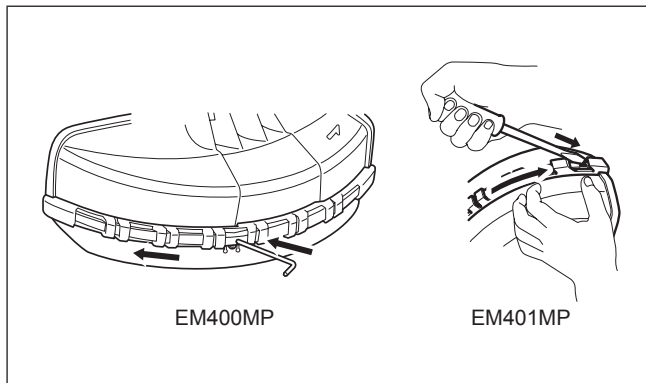


3. Instale la extensión del protector (G) al usar una cabeza cortadora de nailon. Instale la extensión del protector al colocarlo sobre el carril de montura incluido sobre el borde inferior del protector. Deslice la extensión del protector hasta escuchar un clic quedando fija en su lugar. La extensión del protector está diseñada de tal forma que pueda instalarse con una sola orientación sobre el protector.

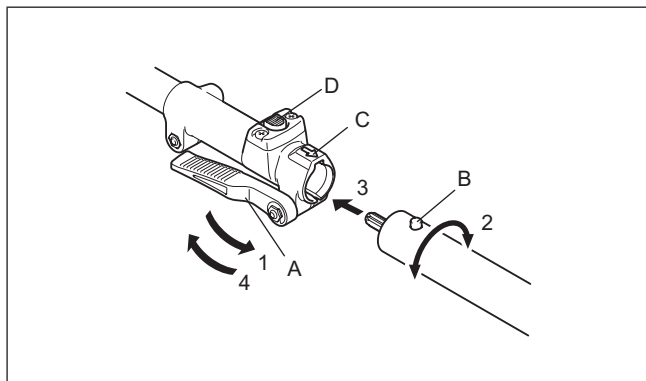
NOTA: Retire la cinta adherida al cortador del cordón, el cual corta el cordón de nailon, sobre la extensión del protector durante la primera utilización.



Para quitar la extensión del protector, coloque una llave hexagonal o destornillador de punta plana dentro de la pequeña muesca que se proporciona en la protuberancia de fijación. Presione sobre la protuberancia de fijación mientras desliza la extensión del protector en la dirección indicada en la figura. Una vez que la extensión del protector comience a deslizarse, quedará suelta y podrá quitarse al continuar deslizándola separándola del protector.



Instalación del aditamento al equipo motorizado



Para instalar el aditamento al equipo motorizado, siga los pasos que se indican a continuación.

1. Asegúrese de que la palanca de bloqueo (A) no se encuentre apretada.
2. Alinee la clavija (B) con la marca de la flecha (C).
3. Inserte el eje en el eje de operación del equipo motorizado hasta que el botón de liberación (D) emerja.
4. Apriete la palanca de bloqueo (A) con firmeza como se muestra. Para quitar el aditamento, afloje la palanca de bloqueo, presione el botón de bloqueo y extraiga el eje.

AVISO: No apriete la palanca de bloqueo (A) sin que el eje del aditamento se encuentre insertado. De lo contrario, puede que la palanca de bloqueo estreche el acceso del eje de operación demasiado y lo dañe.

Extracción y colocación de una cuchilla cortadora

⚠ ADVERTENCIA:

- El diámetro exterior de la cuchilla cortadora debe ser de 230 mm (9"). Nunca use una cuchilla que exceda de 230 mm (9") en su diámetro exterior.

⚠ PRECAUCIÓN:

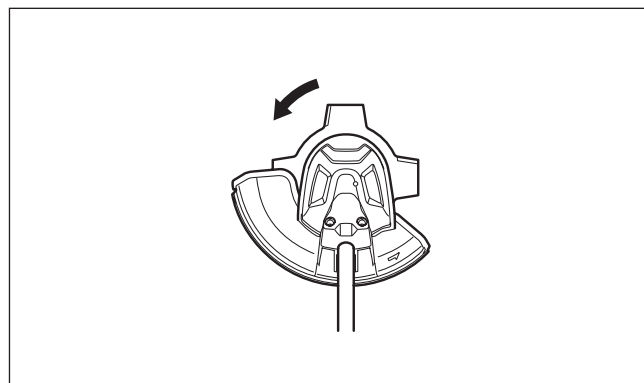
- La cuchilla cortadora debe estar bien pulido y libre de grietas o roturas. Haga un pulido de la cuchilla cortadora o reemplácelo cada tres horas de uso.
- Use siempre guantes al manipular la cuchilla cortadora.
- Coloque siempre la cubierta de la cuchilla cuando la herramienta no esté usándose o al ser transportada.
- La tuerca de sujeción de la cuchilla cortadora (con arandela de resorte) es una pieza que se desgasta. Si se puede apreciar cualquier desgaste o deformación de la arandela de resorte, reemplace la tuerca. Solicite que se haga el pedido de un repuesto en los centros de servicio autorizado.

AVISO:

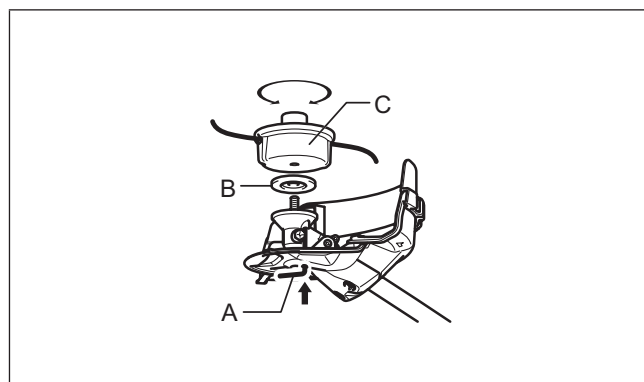
- Asegúrese de usar una cuchilla cortadora auténtico de Makita.

Voltee la herramienta para ponerla al revés para que pueda reemplazar fácilmente la cuchilla cortadora.

1. Para desmontar la cuchilla cortadora, inserte la llave hexagonal (A) a través del orificio sobre la cubierta del protector y la carcasa.
2. Gire la arandela receptora (B) hasta que quede fija por la llave hexagonal (A).
3. Afloje la tuerca hexagonal (C) en sentido de la agujas del reloj con la llave de tubo y quite la tuerca (C), la copa (D), la arandela de prensa (E) y la cuchilla cortadora viejo (F).
4. Coloque la cuchilla cortadora (F) sobre el asta de tal forma que la guía de la arandela receptora (B) encaje con el orificio del eje de la cuchilla cortadora.
5. Coloque la arandela de prensa (E) y la copa (D). Apriete la tuerca hexagonal (C) en sentido contrario a la agujas del reloj con una torsión de apriete de 13 a 23 Nm mientras detiene la arandela receptora (B) con la llave hexagonal (A).
6. Retire la llave hexagonal (A). Asegúrese de que la cuchilla quede orientada hacia arriba.



Extracción y colocación de una cabeza cortadora de nailon



⚠ PRECAUCIÓN:

No toque el cortador del cordón en el protector. El contacto con las manos descubiertas puede resultar en lesión.

1. Para desmontar la cabeza cortadora de nailon vieja, inserte la llave hexagonal (A) a través del orificio sobre la cubierta del protector y la carcasa.
2. Gire la arandela receptora (B) hasta que quede fija por la llave hexagonal (A).

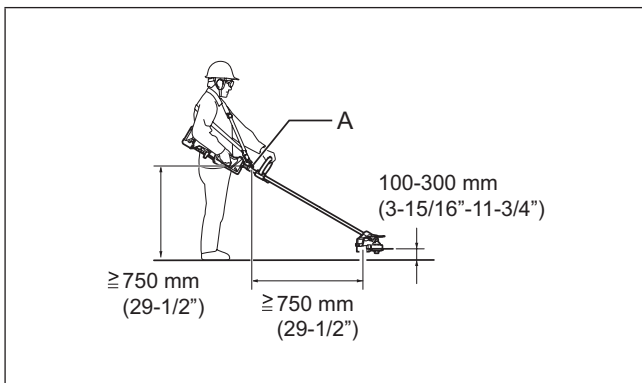
- Gire la cabeza cortadora de nailon vieja (C) en sentido de las agujas del reloj para aflojarla y quitarla.
- Ponga una nueva cabeza cortadora de nailon (C) en el eje. Gírela en sentido contrario a las agujas del reloj mientras detiene la arandela receptora (B) con la llave hexagonal (A). Asegúrese de que quede fijamente instalada.
- Retire la llave hexagonal (A).

Operación

⚠ ADVERTENCIA:

- Si la pieza cortadora se mueve durante la marcha pasiva del motor, ajuste para bajar la velocidad del motor en marcha pasiva. De lo contrario no podrá parar la pieza cortadora al desactivar el acelerador, lo cual puede causar lesiones graves.
- Siga las advertencias y precauciones que se indican en el capítulo "Medidas de seguridad", así como en el manual de instrucciones del equipo motorizado.

Ajuste la posición del colgador y del arnés



⚠ ADVERTENCIA:

No utilice la herramienta si no puede ajustar la posición del colgador y la longitud del arnés para hombro dentro del rango que se muestra en la ilustración. El usar la herramienta con un equilibrio inadecuado debido al peso podría hacer que la herramienta de corte se desplazara hacia arriba y ocasionar una lesión personal.

Al reemplazar un accesorio con otro, puede que el balance del peso del equipo cambie. En tal caso, ajuste la posición del colgador y de la correa de hombro como se indica a continuación.

Para cambiar la posición del colgador, afloje el tornillo de fijación en el colgador y mueva el colgador (A).

Ajuste la posición del colgador y la longitud del arnés para la correa de hombro de tal forma que:

- el colgador quede posicionado a 750 mm (29-1/2") o más del suelo,
- la pieza cortadora quede posicionada de 100 mm (3-15/16") a 300 mm (11-3/4") del suelo, y
- la sección expuesta de la pieza cortadora quede horizontalmente a 750 mm (29-1/2") o más del colgador.

Tras ajustar la posición del colgador, apriete con firmeza el tornillo ya sea con una llave o destornillador (dependiendo del equipo motorizado).

Uso de una cabeza cortadora de nailon

Durante la operación, use la punta del cordón cortador de nailon para cortar.

A medida que el cordón cortador de nailon se desgaste y acorte con la operación de corte, el operador requerirá hacer manualmente la alimentación.

Para la alimentación del cordón cortador de nailon, golpetee ligeramente la cabeza cortadora de nailon en el suelo mientras esté con una rotación aproximada de 6 000 rpm (/min).

NOTA:

- Si el cordón cortador de nailon no responde a la alimentación, rebobínelo. Refiérase al capítulo "Inspección y mantenimiento".

Inspección y mantenimiento

⚠ ADVERTENCIA:

- Antes de inspeccionar o hacer mantenimiento en el equipo, apague el motor y quite la tapa de la bujía de encendido o el cartucho de la batería. De lo contrario, puede que la pieza cortadora u otras piezas se muevan resultando en graves lesiones.
- Recueste el equipo siempre que lo vaya a ensamblar o al hacer ajustes en éste. Tener el equipo erguido en posición vertical durante el ensamblado o el ajuste puede resultar en graves lesiones.
- Siga las advertencias y precauciones que se indican en el capítulo "Medidas de seguridad", así como en el manual de instrucciones del equipo motorizado.

Reafilado de la pieza cortadora

⚠ ADVERTENCIA:

No refile las cuchillas cortadoras usted mismo. El reafilado manual desbalancea una cuchilla cortadora y puede que genere vibraciones y daños al equipo.

Solicite a un centro de servicio autorizado de Makita que refile y calibre las cuchillas cortadoras que se hayan desafilado.

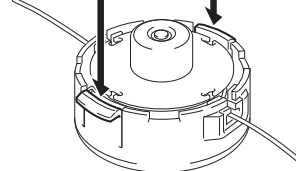
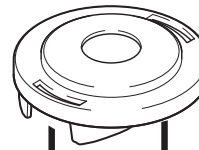
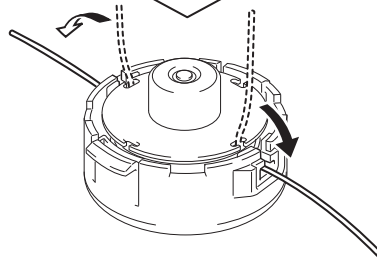
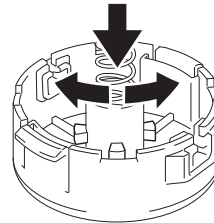
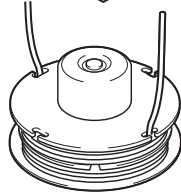
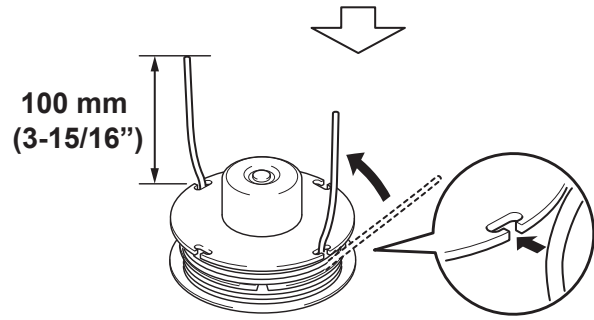
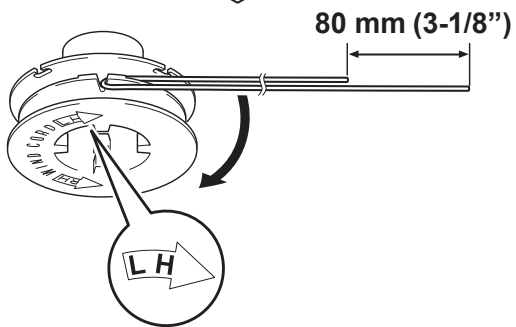
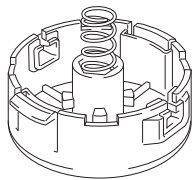
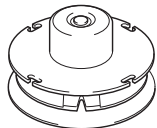
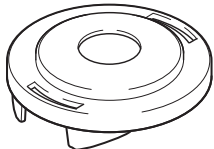
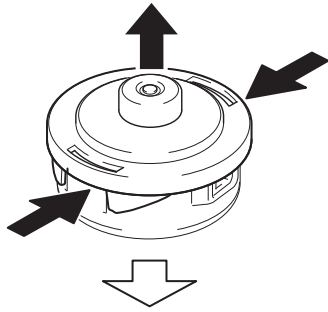
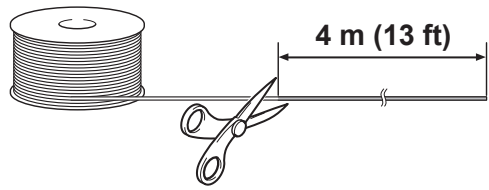
Reemplazo del cordón de nailon

⚠ ADVERTENCIA:

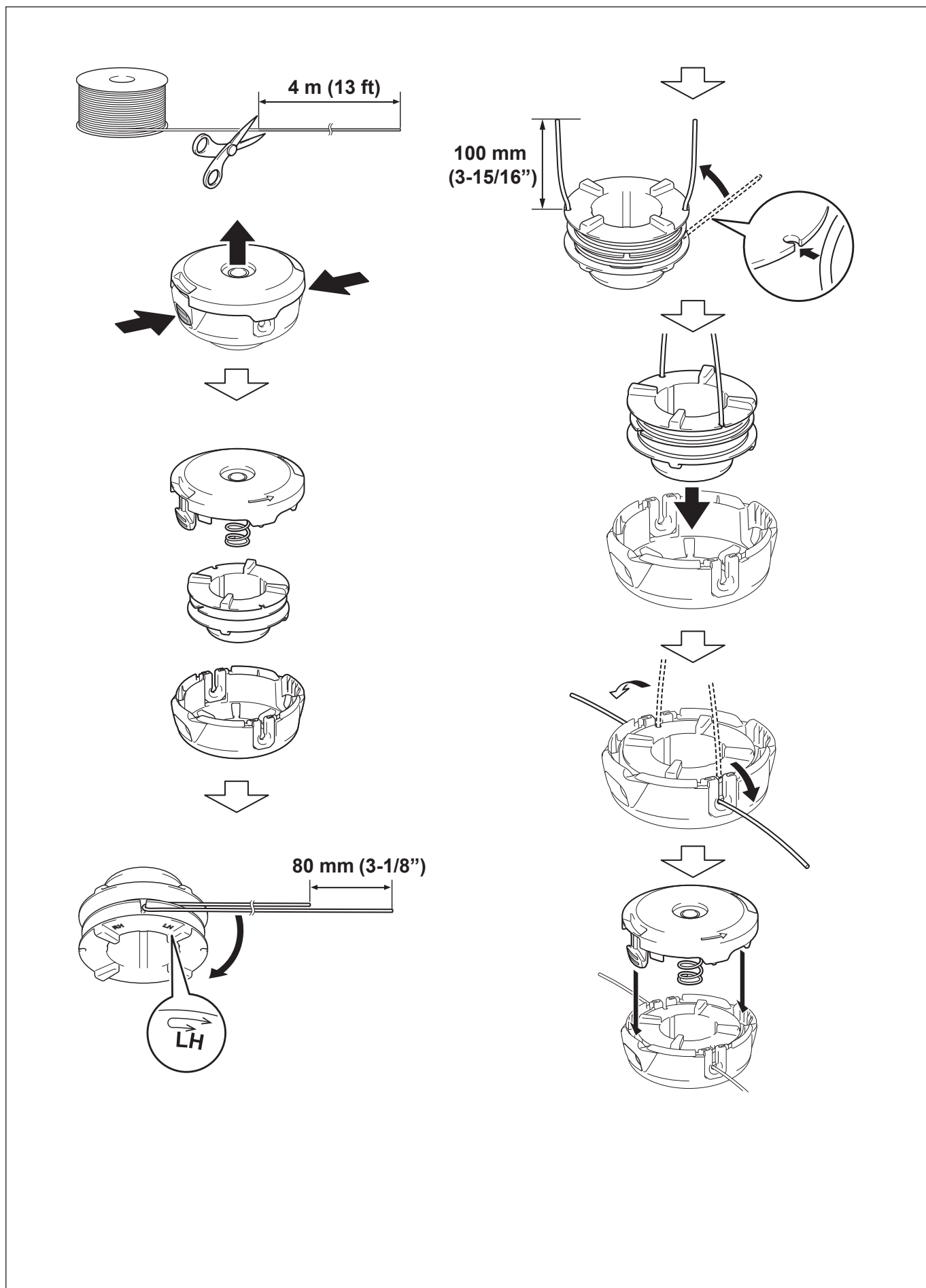
Para el cabezal de corte de nailon de tipo golpe y alimentación, asegúrese de que la cubierta del cabezal de corte de nailon esté debidamente asegurada en la carcasa tal como se describe a continuación. El no asegurar debidamente la cubierta podría causar que el cabezal de corte de nailon saliera volando ocasionando lesiones personales graves.

La manera de reemplazar el cordón de nailon varía en función del tipo de herramienta de corte. Reemplace el cordón de nailon si su alimentación ya no es posible.

Para B&F4



Para sistema de golpeteo y alimentación

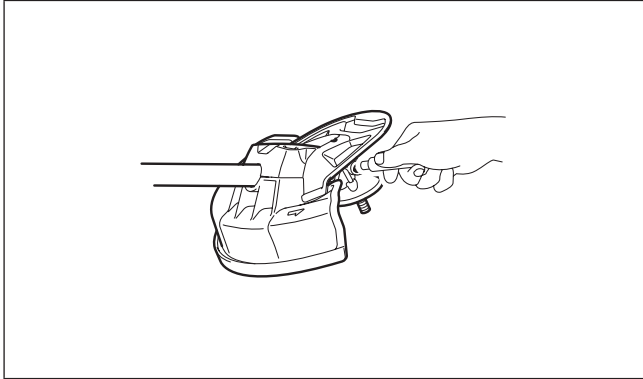


Lubricación de las piezas móviles

AVISO: Siga las indicaciones sobre la frecuencia y cantidad de grasa a ser suministrada. De lo contrario, puede que una lubricación insuficiente ocasione daños en las piezas móviles.

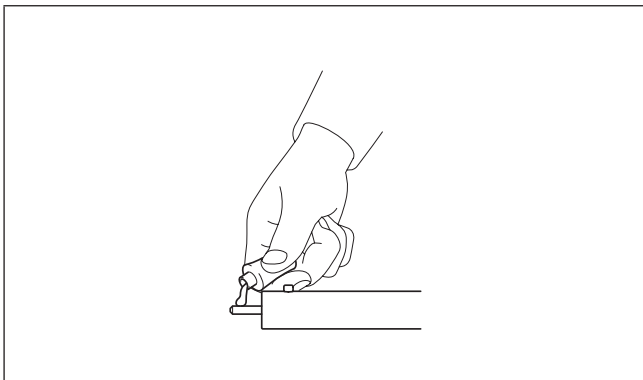
Caja de cambios:

Aplique grasa (Shell Alvania 2 o equivalente) al contenedor de grasa por el orificio de suministro cada 30 horas de operación (la grasa original Makita puede adquirirse con su distribuidor local de productos Makita).



Eje de operación:

Suministre grasa (Shell Alvania No. 2 o equivalente) por cada 30 horas de operación.



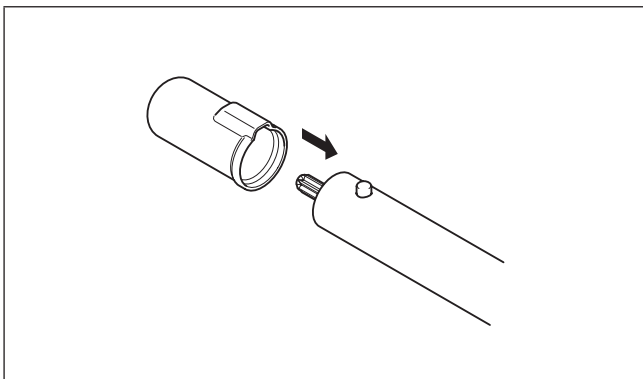
Inspección general

- Apriete los pernos, tornillos y tuercas que estén sueltos.
- Revise si hay piezas dañadas. Acuda a los centros de servicio autorizado de Makita para piezas de repuesto.

Almacenamiento

⚠ ADVERTENCIA:

Siga las advertencias y precauciones que se indican en el capítulo "Medidas de seguridad", así como en el manual de instrucciones del equipo motorizado.



Al almacenar el accesorio para desbrozadora por separado del equipo motorizado, coloque la tapa en el extremo del eje.

Programa de mantenimiento

Horas de operación		Antes de la operación	Diario (10h)	30h	Cuando se requiera	Página correspondiente
Toda la unidad	Inspeccionar visualmente para detección de daños en las piezas	○				33
Fijación de todas las tuercas y los tornillos	Apretar	○				33
Caja de cambios	Suministrar grasa			○		33
Eje de operación	Suministrar grasa			○		33
Cuchilla cortadora	Inspeccionar visualmente para ver si hay daños	○	○			30
Equipo motorizado	Consulte manual de instrucciones del equipo motorizado					

Resolución de problemas

Problema	Causa probable	Solución
El motor no arranca.	Consulte manual de instrucciones del equipo motorizado.	
El motor se para al poco tiempo de arrancar.		
La velocidad máxima es limitada.		
La pieza cortadora no gira. → ¡Pare el motor de inmediato!	La pieza cortadora no está fijamente apretada.	Apriete con firmeza la pieza cortadora.
	Se ha enredado una ramilla entre la pieza cortadora y el protector.	Quite los residuos y materia ajena.
	El sistema de accionamiento no funciona correctamente.	Solicite un servicio de inspección y reparación en un centro de servicio autorizado de Makita.
El equipo vibra de forma anormal. → ¡Pare el motor de inmediato!	La pieza cortadora está doblada, desgastada o rota.	Reemplace la pieza cortadora con una nueva.
	La pieza cortadora no está fijamente apretada.	Apriete con firmeza la pieza cortadora.
	Un extremo del cordón cortador de nailon se ha roto y la cabeza cortadora de nailon se ha desbalanceado.	Realice la alimentación del cordón cortador de nailon al golpetear ligeramente la cabeza cortadora de nailon en el suelo.
	La cuchilla cortadora no encaja sobre la guía de la arandela receptora.	Instale la cuchilla cortadora correctamente.
	El sistema de accionamiento no funciona correctamente.	Solicite un servicio de inspección y reparación en un centro de servicio autorizado de Makita.
La pieza cortadora no se detiene. → ¡Pare el motor de inmediato!	El equipo motorizado no funciona correctamente.	Consulte manual de instrucciones del equipo motorizado.
El cordón cortador de nailon no responde al proceso de alimentación.	Se ha agotado el cordón o se ha enredado en el carrete.	Rebobine el cordón.
El cordón cortador de nailon no se corta a la longitud apropiada.	El cortador del cordón en el protector se ha dañado o está ausente.	Acuda a los centros de servicio autorizado de Makita para reemplazar el cortador del cordón.
	El cordón se extiende más allá del protector.	Rebobine el cordón.

Información técnica

Modelo		EM400MP	EM401MP
Dimensiones (La x An x Al)	mm (pulgada)	876 x 374 x 211 (34-1/2" x 14-3/4" x 8-5/16")	907 x 310 x 220 (35-3/4" x 12-1/4" x 8-5/8")
Diámetro del cordón de nailon	mm (pulgada)	2,4 (0,09)	2,7 (0,1)
Peso neto (no incluye el protector ni la cuchilla)	kg (lbs)	1,0 (2,2)	1,0 (2,2)
Diámetro de la cuchilla cortadora	mm (pulgada)	230 (9")	230 (9")
Diámetro de corte con una cabeza cortadora de nailon	mm (pulgada)	420 (16-1/2")	300 (12")
Relación de cambios		14/19	

<USA only>

WARNING

The engine exhaust from this product contains chemicals known to the State of California to cause cancer, birth defects or other reproductive harm.

<USA solamente>

ADVERTENCIA

Los gases de escape del motor de este producto contienen sustancias químicas conocidas en el Estado de California como causantes de cáncer, defectos genéticos y otros problemas relacionados con la reproducción.

Makita Corporation

3-11-8, Sumiyoshi-cho,
Anjo, Aichi 446-8502 Japan