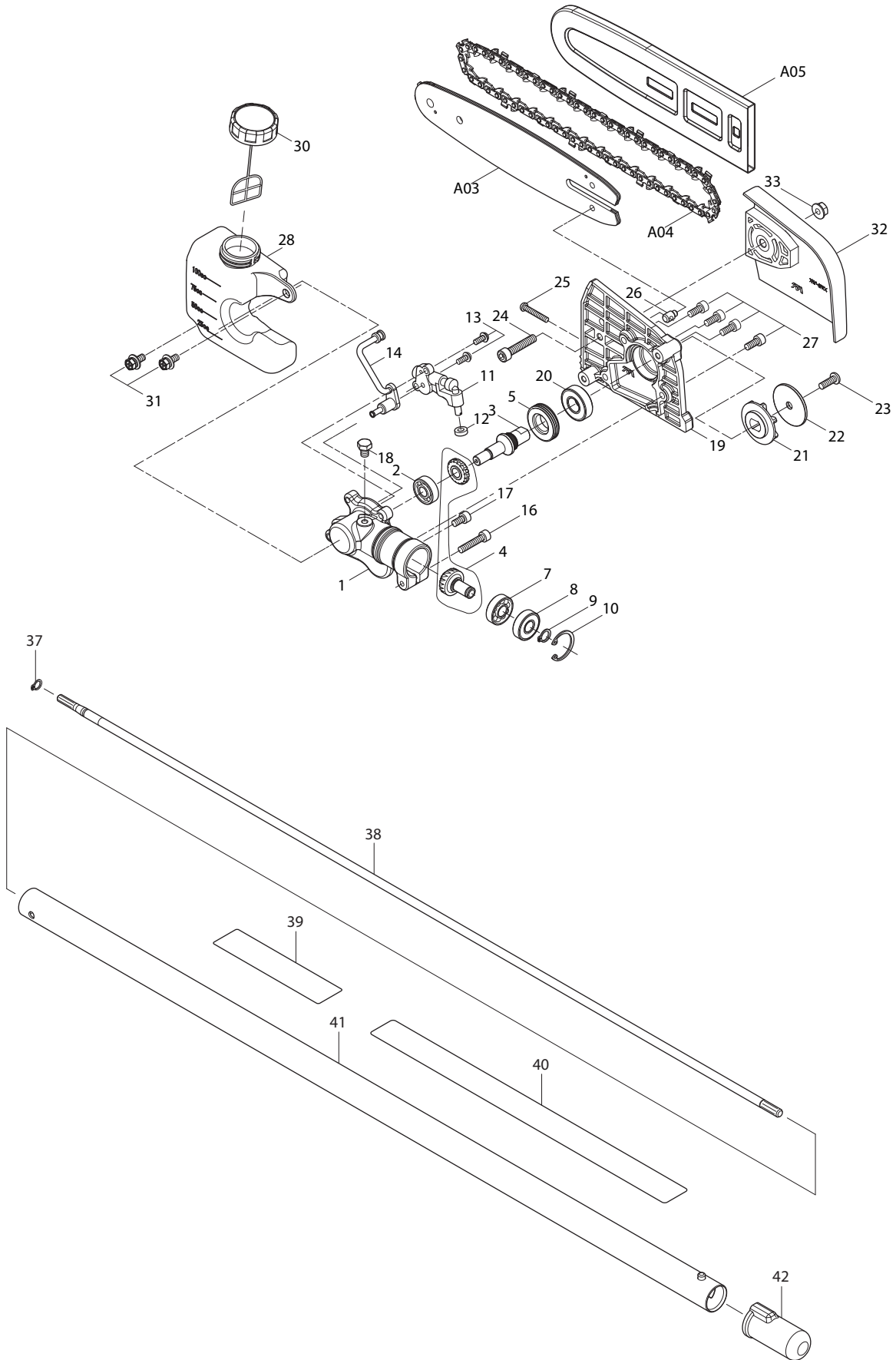




06 - 2012
EY401MP
CHAIN SAW ATTACHMENT
(For Model EX2650LH, HXU03ZX2)



Item No	Type	Sub	Part No	Description	Qty	Unit
001	1		XTM0000001	GEAR CASE A	1	PC.
	2		XTM0000029	GEAR CASE A	1	PC.
002			XTM0000002	BALL BEARING 608	1	PC.
003	3		XTM0000030	* GEAR SHAFT	1	PC.
004			XTM0000004	BEVEL GEAR SET	1	PC.
005			XTM0000005	WORM WHEEL	1	PC.
007			XTM0000006	BALL BEARING 609	1	PC.
008			XTM0000007	BALL BEARING 609Z	1	PC.
009			961005-4	RETAINING RING S-9	1	PC.
010			962103-7	RETAINING RING R-24	1	PC.
011	1		XTM0000008	OIL PUMP	1	PC.
	2		XTM0000025	OIL PUMP	1	PC.
012			XTM0000009	SEAL	1	PC.
013			911111-5	PAN HEAD SCREW M4X10	2	PC.
014			XTM0000010	OIL PIPE ASS'Y	1	PC.
016			922242-5	HEX. SOCKET HEAD BOLT M5X25	1	PC.
017			922207-7	HEX. SOCKET HEAD BOLT M5X10	1	PC.
018			XTM0000011	HB BOLT 6X8	1	PC.
019	1		XTM0000012	GEAR CASE B	1	PC.
	3		XTM0000027	GEAR CASE B	1	PC.
020			XTM0000013	BALL BEARING 6001DDW	1	PC.
021			XTM0000014	SPROCKET	1	PC.
022	2		XTM0000031	* SPROCKET WASHER	1	PC.
023	2		XTM0000032	* E RING	1	PC.
024			922352-8	HEX. SOCKET HEAD BOLT M6X30	1	PC.
025			XTM0000017	ADJUSTER SCREW M4X25	1	PC.
026			XTM0000018	ADJUSTER	1	PC.
027			922212-4	HEX. SOCKET HEAD BOLT M5X12	4	PC.
028			XTM0000019	OIL TANK ASS'Y	1	PC.
030			XTM0000020	TANK CAP ASS'Y	1	PC.
031			XTM0000021	H.S.H.BOLT M5X12SW	2	PC.
032			XTM0000022	CHAIN COVER	1	PC.
033			XTM0000023	FLANGE NUT M6	1	PC.
037			961003-8	RETAINING RING S-7	1	PC.
038			326088-5	SHAFT A	1	PC.
039			819312-8	MAKITA LOGO LABEL	1	PC.
040	2		810V39-5	CAUTION LABEL EN, PICTURE	1	PC.
041	2		144169-1	* GRIP PIPE COMPLETE	1	PC.
		INC.	141106-6	* SHAFT PIPE A COMPLETE	1	PC.
		INC.	424857-9	* GRIP	1	PC.
		INC.		* Item No. 43, 44	1	PC.
042			424434-7	CAP 24	1	PC.
043			141106-6	* SHAFT PIPE A COMPLETE	1	PC.
		INC.	141188-8	* BUSH COMPLETE	1	PC.
044	1		424857-9	* GRIP	1	PC.
C01			873654-4	CARTON for MC	1	PC.
E01			808723-2	* CAUTION LABEL	1	PC.

Item No	Type	Sub	Part No	Description	Qty	Unit
<u>ACCESSORIES</u>						
A01			782233-6	BOX DRIVER 10-16	1	PC.
A02			783020-6	- DRIVER	1	PC.
A03			165695-7	GUIDE BAR 10"	1	PC.
A04			196142-7	3/8" SEMI-CHISEL CHAIN 50G 10"	1	PC.
A05			452093-7	GUIDE BAR CASE F/10"	1	PC.

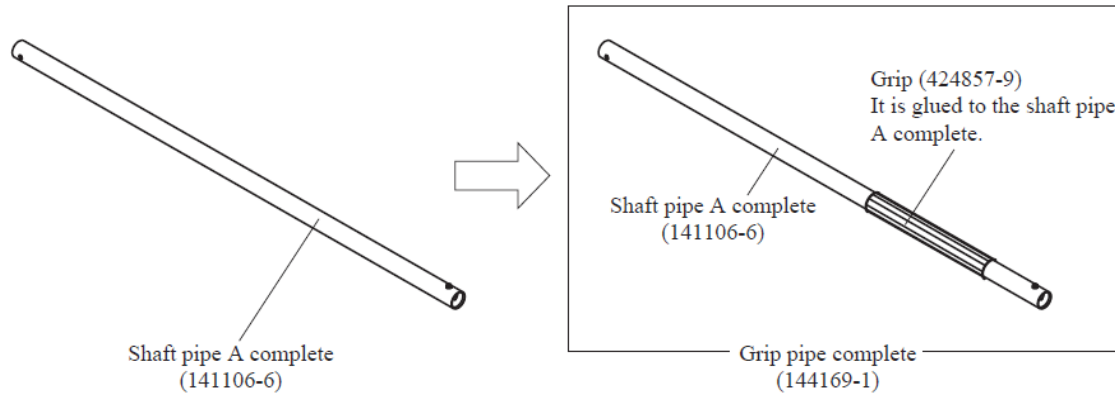
SERVICE CHANGES

1. Changes on Shaft Pipe

(TI#B4310)

Item No.	Description	Type 1	Type 2
041	SHAFT PIPE A COMPLETE >GRIP SHAFT PIPE COMPLETE	141106-6	144169-1
043	SHAFT PIPE A COMPLETE	-----	141106-6
044	GRIP > GRIP33	-----	424857-9
E01	CAUTION LABEL	-----	808723-2

Above parts are completely interchangeable as a set.



2. Changes on Gear Shaft

(TI#C6353)

Item No.	Description	Type 1	Type 1	Type 2
003	GEAR SHAFT	XTM0000003	XTM0000024	XTM0000030
022	SPROCKET WASHER		XTM0000015	XTM0000031
023	HSH SCREW --> E RING		XTM0000016	XTM0000032

Above parts are completely interchangeable as a set.

