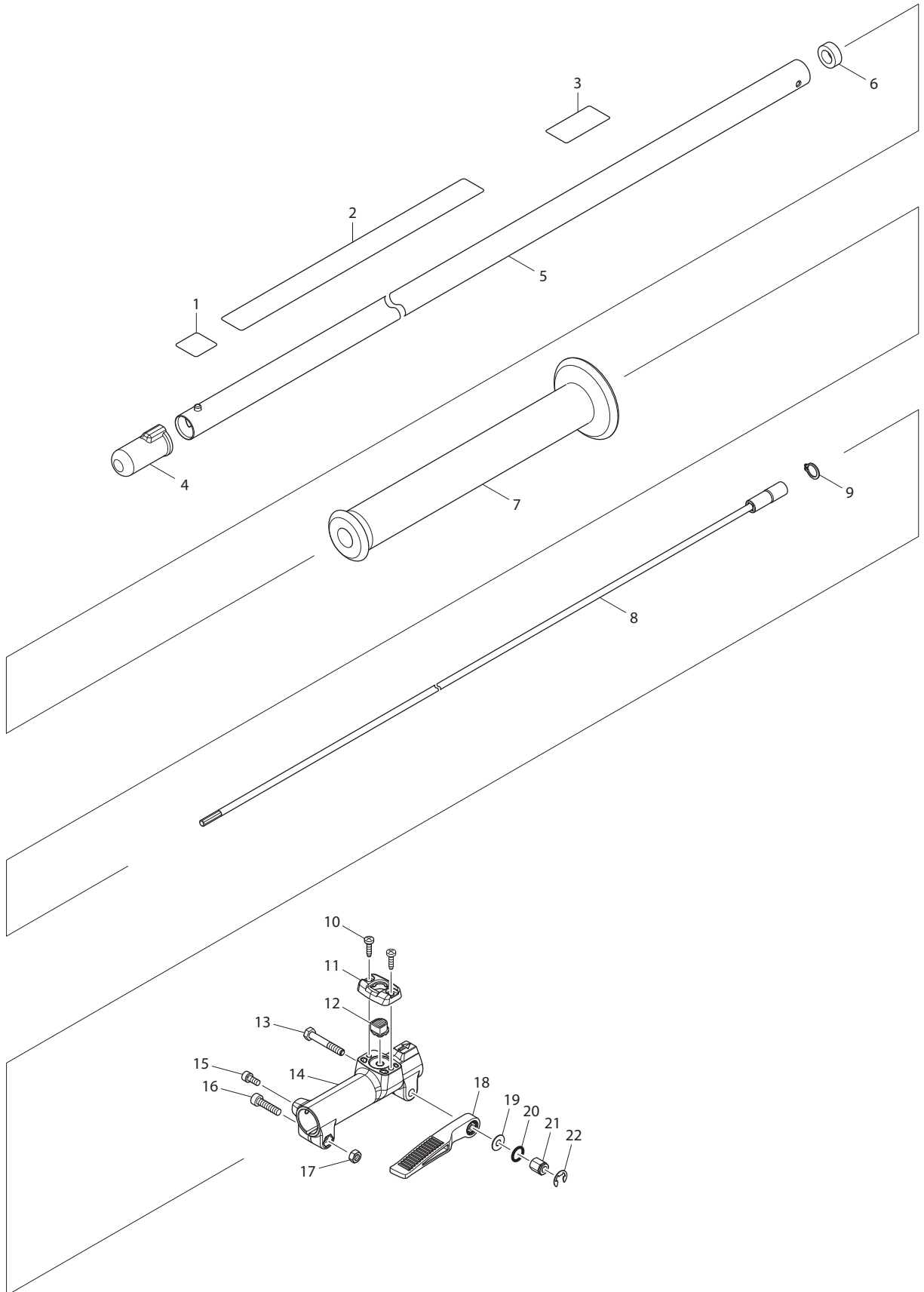




06 - 2012
LE400MP
SHAFT EXTENSION ATTACHMENT SET
(For Model EX2650LH and HXU03ZX2)



PARTS LIST

Item No	Type	Part No	Description	Qty	Unit
001		800A07-0	INDICATION LABEL	1	PC.
002		8070U6-4	CAUTION LABEL, EN	1	PC.
003		893670-0	MAKITA LOGO LABEL	1	PC.
004		424434-7	CAP 24	1	PC.
005	2	141526-4	SHAFT PIPE C COMPLETE	1	PC.
005	2	INC. 163525-6	LEAF SPRING COMPLETE	1	PC.
005	3	140T35-0	SHAFT PIPE C COM.	1	PC.
005	3	INC.	Item No. 7 (Type 2)		
005	3	INC. 163525-6	LEAF SPRING COM.	1	PC.
006		443181-1	FELT RING 13	1	PC.
007	1	273668-7	GRIP 40	1	PC.
007	2	422561-4	GRIP 33	1	PC.
008		141527-2	SHAFT C COMPLETE	1	PC.
009		961052-5	RETAINING RING S-12	1	PC.
010		266034-5	TAPPING SCREW CT 4X16	2	PC.
011		452840-6	RELEASE BUTTON COVER	1	PC.
012		452839-1	RELEASE BUTTON	1	PC.
013		265596-0	HEX.BOLT M6X40	1	PC.
014	2	312D49-5	JOINT 24	1	PC.
015		922211-6	HEX. SOCKET HEAD BOLT M5X12	1	PC.
016		922342-1	HEX. SOCKET HEAD BOLT M6X25	1	PC.
017		931302-2	HEX. NUT M6	1	PC.
018		272268-0	LEVER 94	1	PC.
019		253332-6	THIN WASHER 6	1	PC.
020		213105-9	O RING 11	1	PC.
021		252159-1	HEX. NUT M6	1	PC.
022		961014-3	STOP RING E-8	1	PC.
C01		873387-1	CARTON F/LE400MP	1	PC.