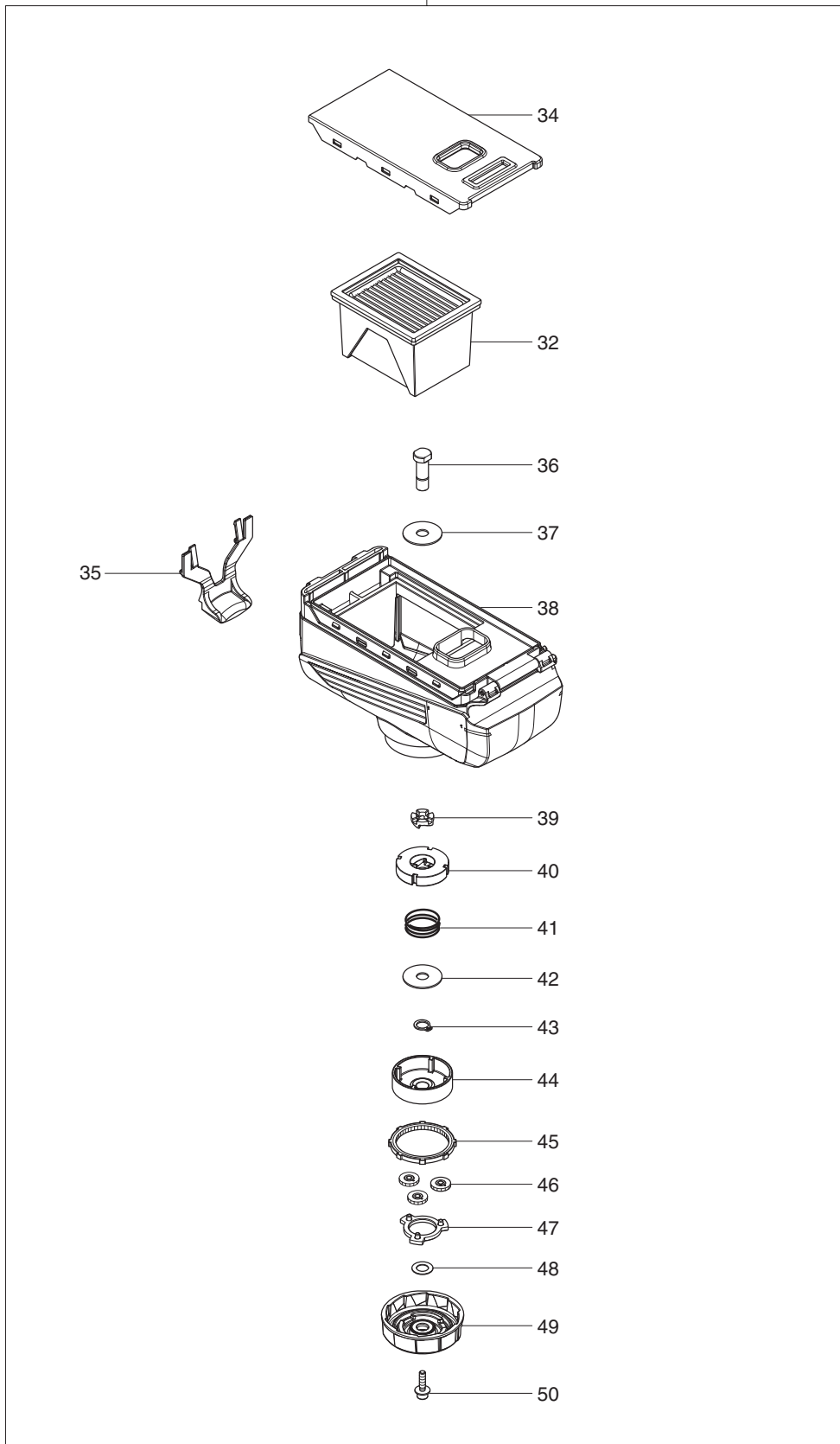


30



Item No.	Type	Sub	Part No.	Description	Qty	Unit
001			424722-2	* FITTING RUBBER - removed	1	PC.
002	2		422784-4	* SEALING CAP	1	PC.
003	2		413A88-1	* COLLECTOR	1	PC.
004			458858-5	COLLECTOR BASE	1	PC.
005			458857-7	SLIDE PIPE	1	PC.
006			245052-6	HOSE 30	1	PC.
007			458859-3	INNER PIPE	1	PC.
008			422358-1	SPONGE SHEET B	1	PC.
009			453141-5	SLIDE LEVER A	1	PC.
010			453140-7	STOPPER BASE	1	PC.
011			234227-2	COMPRESSION SPRING 3	1	PC.
012			453702-1	RACK A	1	PC.
013			266130-9	TAPPING SCREW BIND PT 3X16	2	PC.
014			422423-6	CUSHION RUBBER	1	PC.
015			453139-2	RACK B	1	PC.
016			232428-6	COMPRESION SPRING 3	1	PC.
017			458998-9	IMPACT ARM	1	PC.
018			135958-5	SLIDE LEVER B ASSY	1	PC.
019			232427-8	COMPRESION SPRING 2	1	PC.
020			458861-6	LOCK LEVER B	1	PC.
021			231316-4	COMPRESSION SPRING 7	1	PC.
022			458860-8	JOINT SLEEVE	1	PC.
023			422359-9	BELLOWS	1	PC.
024			232479-9	COMPRESSION SPRING 4	2	PC.
025			458860-8	JOINT SLEEVE	1	PC.
026			266130-9	TAPPING SCREW BIND PT 3X16	6	PC.
027			855C30-2	DX05 NAME PLATE	1	PC.
028			818N49-8	CLEAR LABEL	1	PC.
029			183L18-9	HOUSING SET	1	SET
030			199594-1	DUST CASE SET	1	PC.
		INC.		Item No. 32,34-50		
032			199596-7	FILTER SET	1	PC.
033			136039-8	SLIDE PIPE ASS'Y	1	PC.
		INC.		Item No. 1-13		
034			140G13-2	FILTER COVER COMPLETE	1	PC.
		INC.	422356-5	SPONGE SHEET C	1	PC.
		INC.	422357-3	SPONGE SHEET D	1	PC.
035			453148-1	RELEASE LEVER	1	PC.
036			327221-2	SHAFT	1	PC.
037			253431-4	FLAT WASHER 8	1	PC.
038			140F89-3	DUST CASE COMPLETE	1	PC.
		INC.	256533-5	ROD 2.5	1	PC.
		INC.	422355-7	SPONGE SHEET A	1	PC.
		INC.	458852-7	FILTER BASE	1	PC.
039			310918-0	CAM	1	PC.
040			310919-8	HAMMER	1	PC.
041			232482-0	COMPRESSION SPRING 21	1	PC.
042			253431-4	FLAT WASHER 8	1	PC.
043			961004-6	RETAINING RING S-8	1	PC.
044			226856-5	SUPER GEAR 17	1	PC.
045			226857-3	INTERNAL GEAR 49	1	PC.
046			226855-7	SUPER GEAR 15	3	PC.
047			140F90-8	CARRIER COMPLETE	1	PC.
048			253430-6	FLAT WASHER 8	1	PC.
049			140H88-7	DIAL COMPLETE	1	PC.
		INC.	422431-7	SPONGE SHEET	1	PC.

Item No.	Type	Sub	Part No.	Description	Qty	Unit
050			922129-1	H.S.H.BOLT M4X16 WITH WG	1	PC.
ACCESSORIES						
- Visit www.makita.ca for more accessories information -						
A01	2		422784-4	SEALING CAP	1	PC.

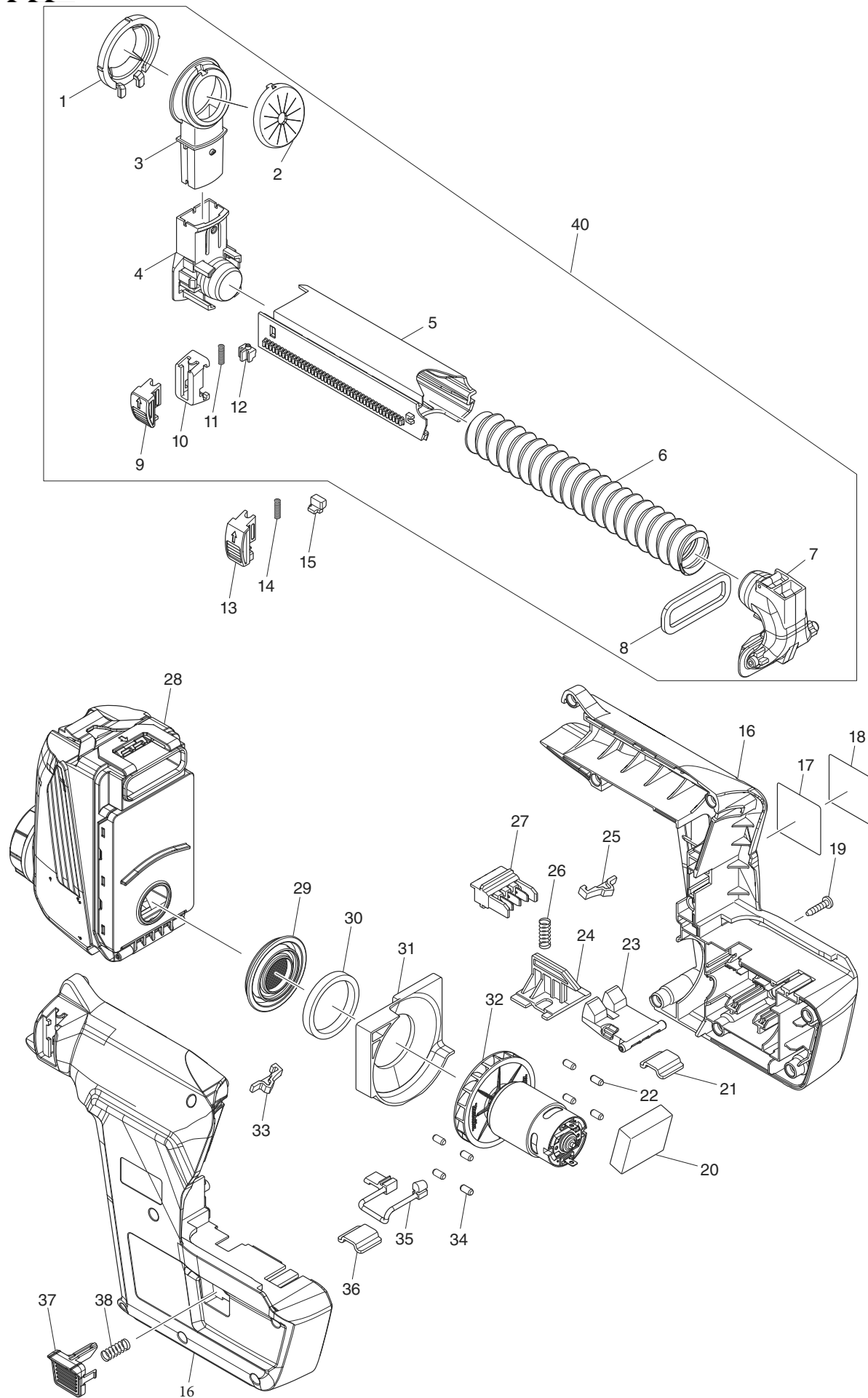
SERVICE CHANGES

1. Changes on Suction port

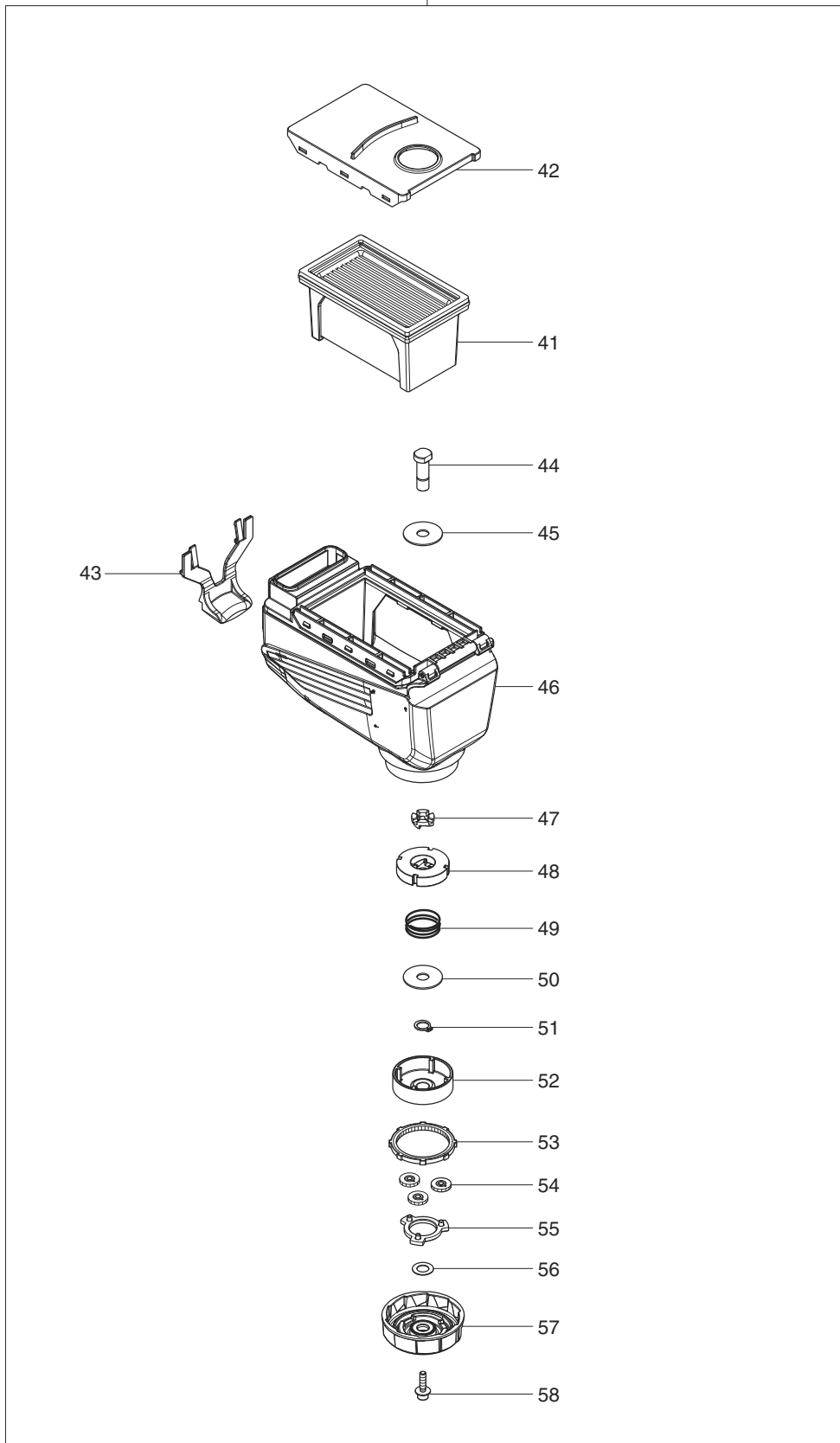
(T/I#DF255)

Item No.	Description	Type 1	Type 2
3	COLLECTOR	455736--0	413A88-1
2	SEALING CAP	454474-5	422784-4
1	FITTING RUBBER	424722-2	-----

Above parts are completely interchangeable as a set.



28



Item No.	Type	Sub	Part No.	Description	Qty	Unit
001			424722-2	* FITTING RUBBER - removed	1	PC.
002	2		422784-4	* SEALING CAP	1	PC.
003	2		413A88-1	* COLLECTOR	1	PC.
004			454578-9	* COLLECTOR BASE A	1	PC.
005			454580-2	SLIDE PIPE	1	PC.
006			245038-0	HOSE 30	1	PC.
007			456017-5	INNER PIPE	1	PC.
008			423425-5	SPONGE SHEET B	1	PC.
009			453141-5	SLIDE LEVER A	1	PC.
010			453140-7	STOPPER BASE	1	PC.
011			234227-2	COMPRESSION SPRING 3	1	PC.
012			453702-1	RACK A	1	PC.
013			453142-3	SLIDE LEVER B	1	PC.
014			234227-2	COMPRESSION SPRING 3	1	PC.
015			453139-2	RACK B	1	PC.
016			187304-8	HOUSING SET	1	SET
017			855D83-7	DX06 NAME PLATE	1	PC.
018			890995-3	CLEAR LABEL	1	PC.
019			266326-2	TAPPING SCREW 4X18	8	PC.
020	2		620B21-4	CONTROLLER UNIT	1	PC.
		INC.	654069-2	RECEPTACLE	2	PC.
		INC.	654281-4	RECEPTACLE	3	PC.
021			346539-2	GUIDE PLATE	1	PC.
022			263025-7	RUBBER PIN 4	4	PC.
023			453146-5	HOOK	1	PC.
024			453144-9	LIFT PLATE	1	PC.
025			424475-3	CUSHION	1	PC.
026			234228-0	COMPRESSION SPRING 6	1	PC.
027			638931-9	CONNECTOR	1	PC.
028			199588-6	DUST CASE SET	1	PC.
		INC.		Item No. 41-58		
029			453171-6	FILTER PLATE	1	PC.
030			423427-1	SPONGE SHEET C	1	PC.
031			453143-1	BAFFLE PLATE	1	PC.
032			141163-4	MOTOR COMPLETE	1	PC.
033			424475-3	CUSHION	1	PC.
034			263025-7	RUBBER PIN 4	4	PC.
035			424486-8	EARTH RUBBER	1	PC.
036			346539-2	GUIDE PLATE	1	PC.
037			453145-7	PUSH BUTTON	1	PC.
038			234228-0	COMPRESSION SPRING 6	1	PC.
040	1		135696-9	SLIDE PIPE ASSEMBLY	1	PC.
		INC.		Item No. 1-12		
	2		136915-6	SLIDE PIPE ASSEMBLY	1	PC.
		INC.		Item No. 1-12		
041			199557-7	FILTER SET	1	PC.
042			453150-4	FILTER COVER	1	PC.
043			453148-1	RELEASE LEVER	1	PC.
044			327221-2	SHAFT	1	PC.
045			253431-4	FLAT WASHER 8	1	PC.
046			140H67-5	DUST CASE COMPLETE	1	PC.
		INC.	256533-5	ROD 2.5	1	PC.
		INC.	423426-3	SPONGE SHEET A	1	PC.
		INC.	453149-9	FILTER BASE	1	PC.
047			310918-0	CAM	1	PC.
048			310919-8	HAMMER	1	PC.

Item No.	Type	Sub	Part No.	Description	Qty	Unit
049			232482-0	COMPRESSION SPRING 21	1	PC.
050			253431-4	FLAT WASHER 8	1	PC.
051			961004-6	RETAINING RING S-8	1	PC.
052			226856-5	SUPER GEAR 17	1	PC.
053			226857-3	INTERNAL GEAR 49	1	PC.
054			226855-7	SUPER GEAR 15	3	PC.
055			140F90-8	CARRIER COMPLETE	1	PC.
056			253430-6	FLAT WASHER 8	1	PC.
057			140H88-7	DIAL COMPLETE	1	PC.
		INC.	422431-7	SPONGE SHEET	1	PC.
058			922129-1	H.S.H.BOLT M4X16 WITH WG	1	PC.

ACCESSORIES

- Visit www.makita.ca for more accessories information -

A01	2		422784-4	SEALING CAP	5	PC.
A02			168467-9	HOLSTER	1	PC.
A03			452947-8	BIT HOLDER	1	PC.

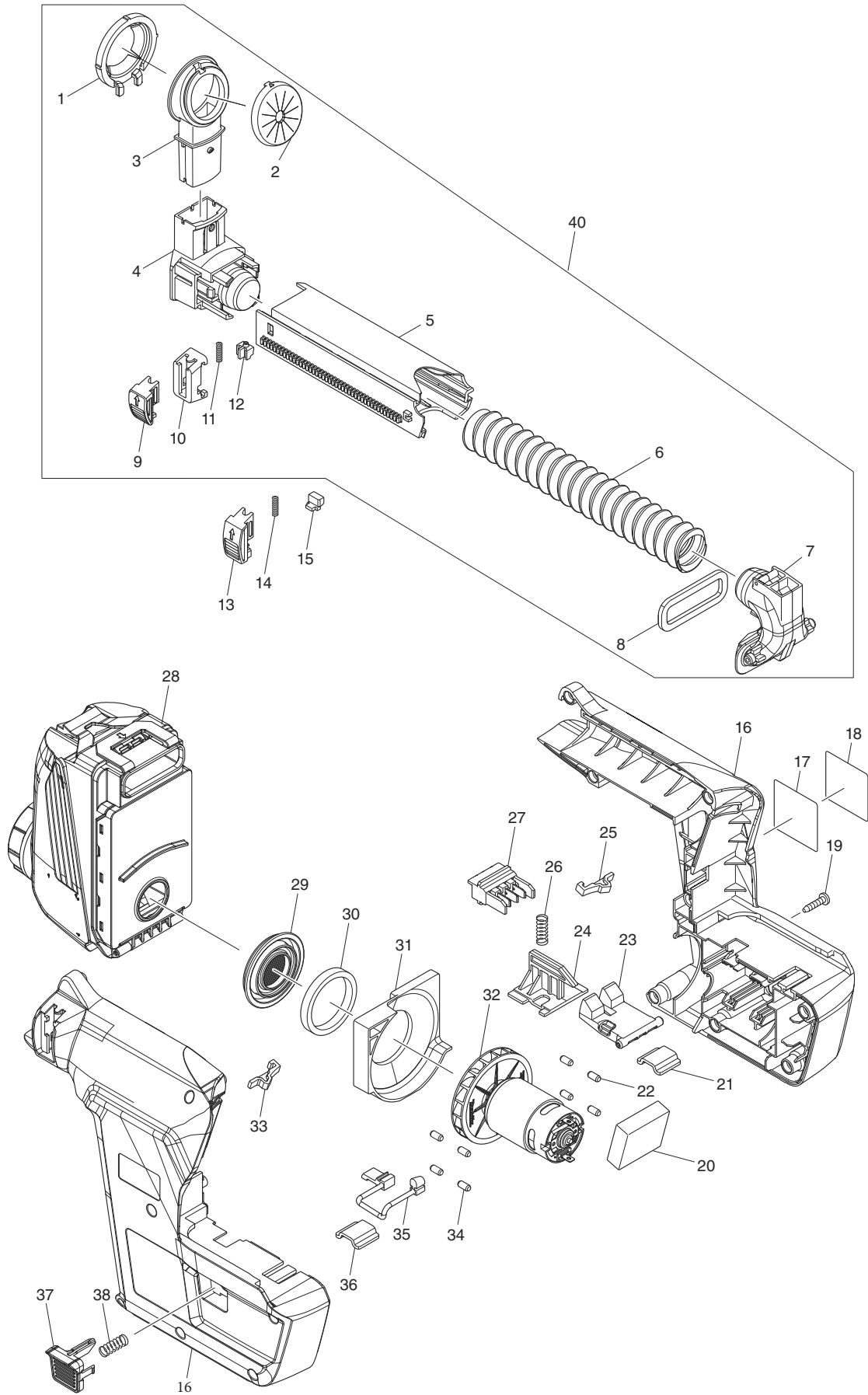
SERVICE CHANGES

1. Changes on Suction port

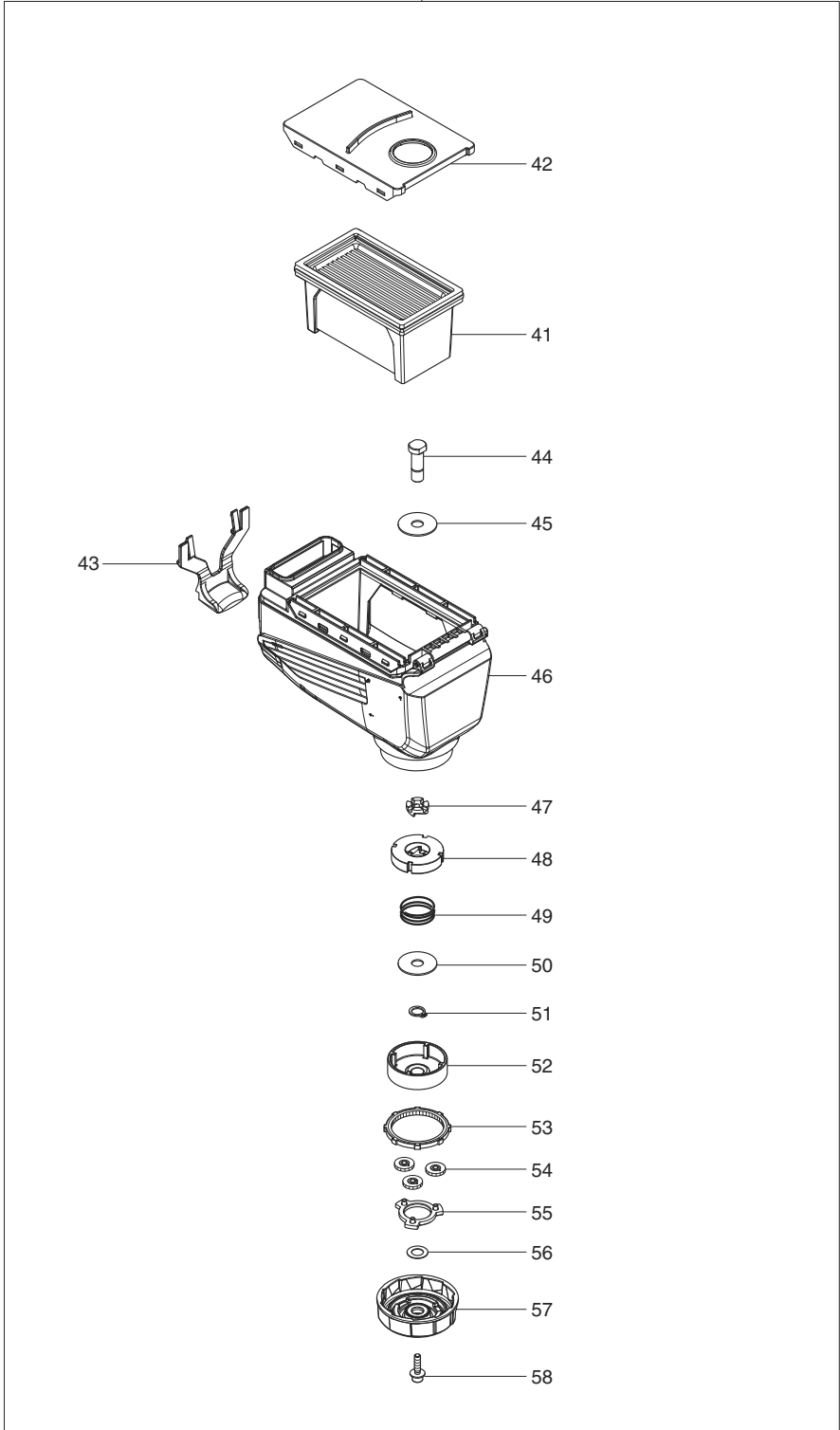
(T/I#DF255)

Item No.	Description	Type 1	Type 2
3	COLLECTOR	455736--0	413A88-1
2	SEALING CAP	454474-5	422784-4
1	FITTING RUBBER	424722-2	-----

Above parts are completely interchangeable as a set.



28



Item No.	Type	Sub	Part No.	Description	Qty	Unit
001			424722-2	* FITTING RUBBER - removed	1	PC.
002	2		422784-4	* SEALING CAP	1	PC.
003	2		413A88-1	* COLLECTOR	1	PC.
004			454579-7	COLLECTOR BASE B	1	PC.
005			454580-2	SLIDE PIPE	1	PC.
006			245038-0	HOSE 30	1	PC.
007			456017-5	INNER PIPE	1	PC.
008			423425-5	SPONGE SHEET B	1	PC.
009			453141-5	SLIDE LEVER A	1	PC.
010			453140-7	STOPPER BASE	1	PC.
011			234227-2	COMPRESSION SPRING 3	1	PC.
012			453702-1	RACK A	1	PC.
013			453142-3	SLIDE LEVER B	1	PC.
014			234227-2	COMPRESSION SPRING 3	1	PC.
015			453139-2	RACK B	1	PC.
016			187304-8	HOUSING SET	1	SET
017			855D88-7	DX07 NAME PLATE	1	PC.
018			890995-3	CLEAR LABEL	1	PC.
019			266326-2	TAPPING SCREW 4X18	8	PC.
020	2		620B21-4	CONTROLLER UNIT	1	PC.
		INC.	654069-2	RECEPTACLE	2	PC.
		INC.	654281-4	RECEPTACLE	3	PC.
021			346539-2	GUIDE PLATE	1	PC.
022			263025-7	RUBBER PIN 4	4	PC.
023			453146-5	HOOK	1	PC.
024			453144-9	LIFT PLATE	1	PC.
025			424475-3	CUSHION	1	PC.
026			234228-0	COMPRESSION SPRING 6	1	PC.
027			638931-9	CONNECTOR	1	PC.
028			199588-6	DUST CASE SET	1	PC.
		INC.		Item No. 41-58		
029			453171-6	FILTER PLATE	1	PC.
030			423427-1	SPONGE SHEET C	1	PC.
031			453143-1	BAFFLE PLATE	1	PC.
032			141163-4	MOTOR COMPLETE	1	PC.
033			424475-3	CUSHION	1	PC.
034			263025-7	RUBBER PIN 4	4	PC.
035			424486-8	EARTH RUBBER	1	PC.
036			346539-2	GUIDE PLATE	1	PC.
037			453145-7	PUSH BUTTON	1	PC.
038			234228-0	COMPRESSION SPRING 6	1	PC.
040	1		135696-9	SLIDE PIPE ASSEMBLY	1	PC.
		INC.		Item No. 1-12		
	2		136915-6	SLIDE PIPE ASSEMBLY	1	PC.
		INC.		Item No. 1-12		
041			199557-7	HEPA FILTER SET	1	PC.
042			453150-4	FILTER COVER	1	PC.
043			453148-1	RELEASE LEVER	1	PC.
044			327221-2	SHAFT	1	EA
045			253431-4	FLAT WASHER 8	1	EA
046			140H67-5	DUST CASE COMPLETE	1	
		INC.	256533-5	ROD 2.5	1	PC.
		INC.	423426-3	SPONGE SHEET A	1	EA
		INC.	453149-9	FILTER BASE	1	
047			310918-0	CAM	1	EA
048			310919-8	HAMMER	1	EA

Item No.	Type	Sub	Part No.	Description	Qty	Unit
049			232482-0	COMPRESSION SPRING 21	1	EA
050			253431-4	FLAT WASHER 8	1	EA
051			961004-6	RETAINING RING S-8	1	PC.
052			226856-5	SUPER GEAR 17	1	EA
053			226857-3	INTERNAL GEAR 49	1	EA
054			226855-7	SUPER GEAR 15	3	EA
055			140F90-8	CARRIER COMPLETE	1	EA
056			253430-6	FLAT WASHER 8	1	EA
057			140H88-7	DIAL COMPLETE	1	EA
		INC.	422431-7	SPONGE SHEET	1	EA
058			922129-1	H.S.H.BOLT M4X16 WITH WG	1	EA

ACCESSORIES - Visit www.makita.ca for more accessories information -

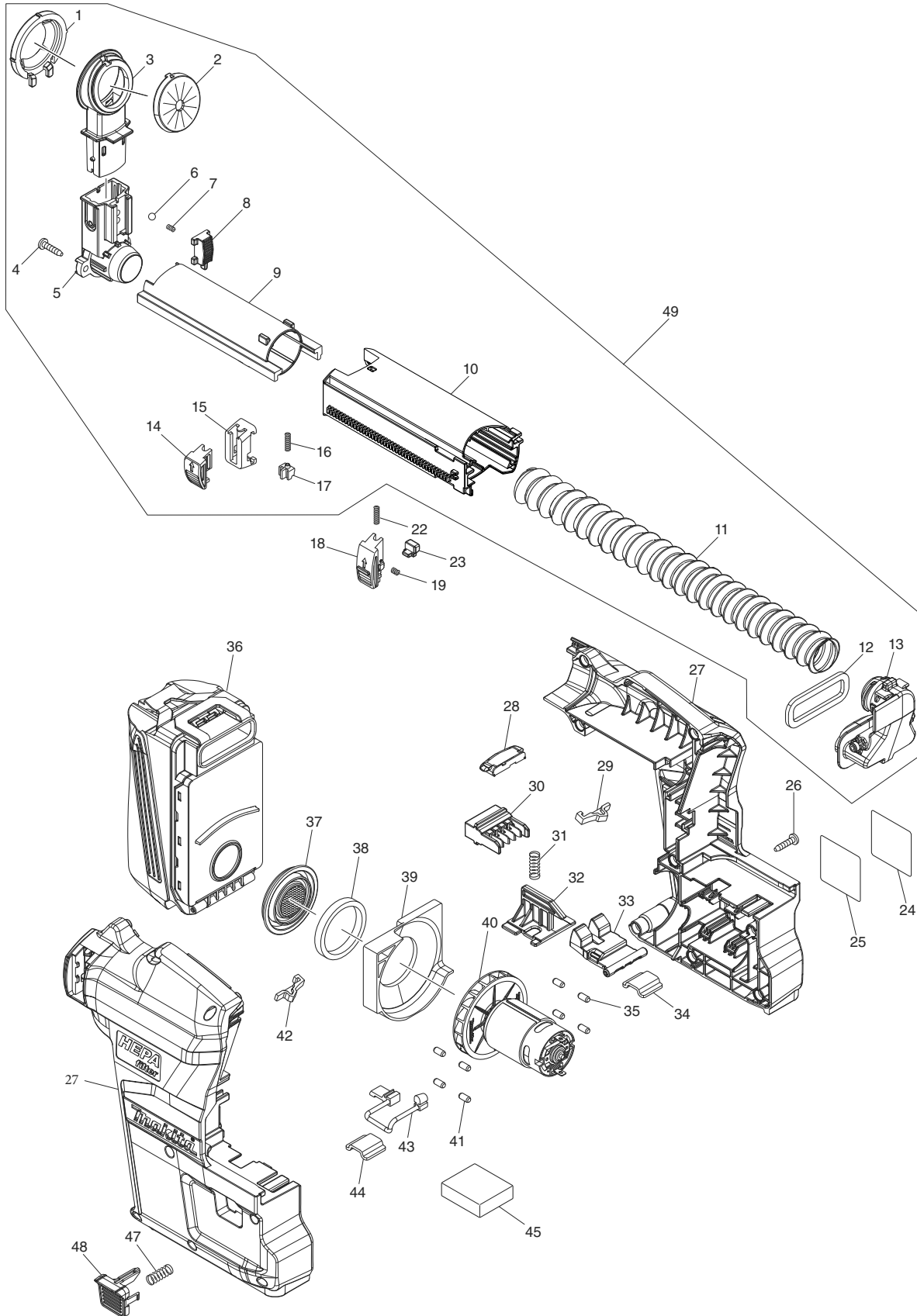
A01	2		422784-4	SEALING CAP	5	PC.
-----	---	--	----------	-------------	---	-----

SERVICE CHANGES

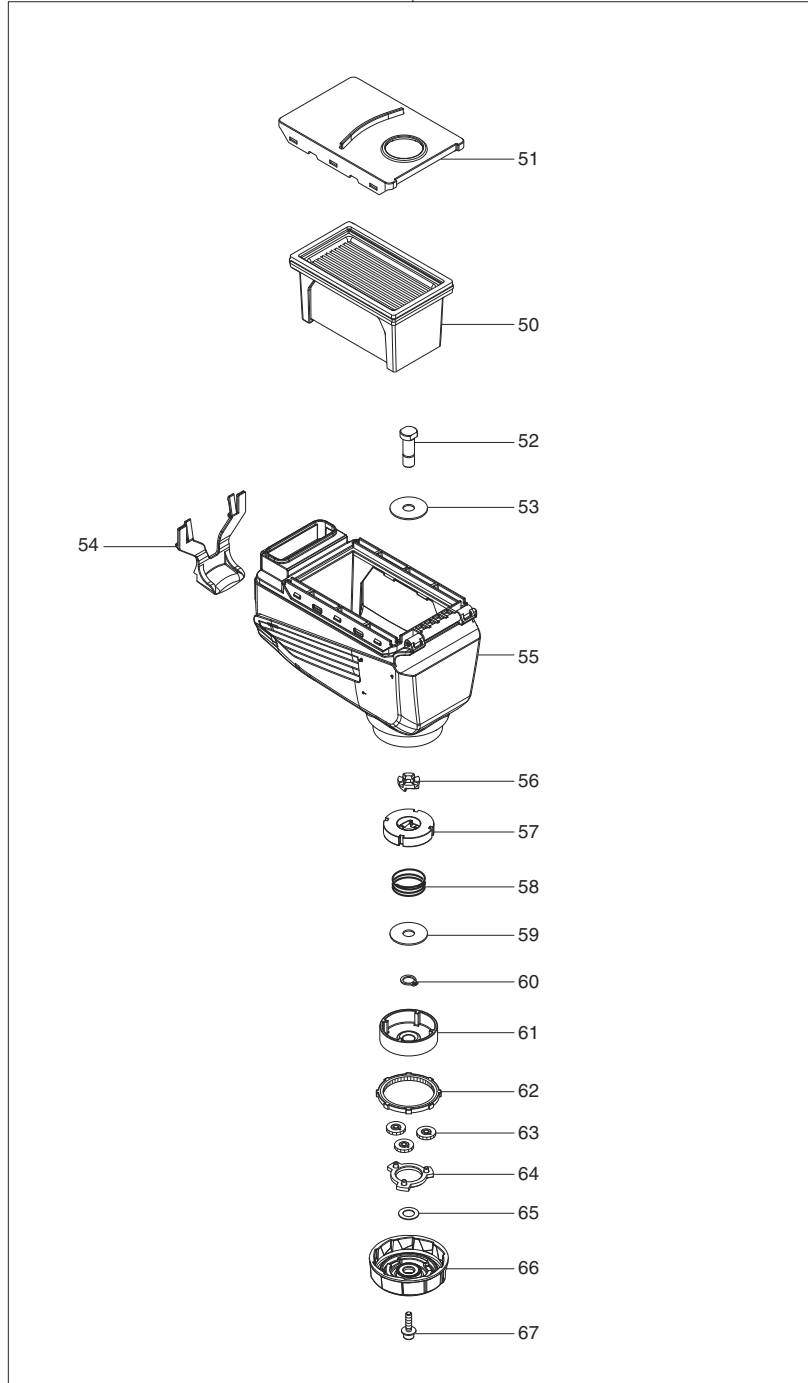
1. Changes on Suction port (T/I#DF255)

Item No.	Description	Type 1	Type 2
3	COLLECTOR	455736--0	413A88-1
2	SEALING CAP	454474-5	422784-4
1	FITTING RUBBER	424722-2	-----

Above parts are completely interchangeable as a set.



36



Item No.	Type	Sub	Part No.	Description	Qty	Unit
001			424722-2	FITTING RUBBER	1	PC.
002			424474-5	SEALING CAP	1	PC.
003			458291-1	COLLECTOR	1	PC.
004			266326-2	TAPPING SCREW 4X18	2	PC.
005			458288-0	COLLECTOR BASE	1	PC.
006			216002-8	STEEL BALL 4.8	1	PC.
007			233314-4	COMPRESSION SPRING 4	1	PC.
008			458292-9	LOCK LEVER B	1	PC.
009			458289-8	SLIDE PIPE A	1	PC.
010			458290-3	SLIDE PIPE B	1	PC.
011			245045-3	HOSE 30	1	PC.
012			423425-5	SPONGE SHEET B	1	PC.
013			458285-6	INNER PIPE	1	PC.
014			453141-5	SLIDE LEVER A	1	PC.
015			453140-7	STOPPER BASE	1	PC.
016			234227-2	COMPRESSION SPRING 3	1	PC.
017			453702-1	RACK A	1	PC.
018			135958-5	SLIDE LEVER B ASSY	1	PC.
019			232427-8	COMPRESION SPRING 2	1	PC.
022			232428-6	COMPRESION SPRING 3	1	PC.
023			453139-2	RACK B	1	PC.
024			890995-3	CLEAR LABEL	1	PC.
025			855D91-8	DX08 NAME PLATE	1	PC.
026			266326-2	TAPPING SCREW 4X18	8	PC.
027			183J32-3	HOUSING SET	1	PC.
		INC.		Item No. 46		
028			620283-2	LED CIRCUIT	1	PC.
029			422248-8	CUSHION	1	PC.
030			632L45-8	CONNECTOR	1	PC.
031			234228-0	COMPRESSION SPRING 6	1	PC.
032			453144-9	LIFT PLATE	1	PC.
033			458284-8	HOOK	1	PC.
034			346539-2	GUIDE PLATE	1	PC.
035			263025-7	RUBBER PIN 4	4	PC.
036			199588-6	DUST CASE SET	1	PC.
		INC.		Item No. 50-67		
037			453171-6	FILTER PLATE	1	PC.
038			423427-1	SPONGE SHEET C	1	PC.
039			453143-1	BAFFLE PLATE	1	PC.
040			140A43-7	MOTOR COMPLETE	1	PC.
041			263025-7	RUBBER PIN 4	4	PC.
042			422248-8	CUSHION	1	PC.
043			424486-8	EARTH RUBBER	1	PC.
044			346539-2	GUIDE PLATE	1	PC.
045			620817-1	CONTROLLER	1	PC.
		INC.	654069-2	RECEPTACLE	2	PC.
		INC.	654281-4	RECEPTACLE	4	PC.
047			234228-0	COMPRESSION SPRING 6	1	PC.
048			453145-7	PUSH BUTTON	1	PC.
049			135959-3	SLIDE PIPE ASSY	1	PC.
		INC.		Item No. 1-17		
050			199557-7	FILTER SET	1	PC.
051			453150-4	FILTER COVER	1	PC.
052			327221-2	SHAFT	1	PC.
053			253431-4	FLAT WASHER 8	1	PC.
054			453148-1	RELEASE LEVER	1	PC.

Item No.	Type	Sub	Part No.	Description	Qty	Unit
055			140H67-5	DUST CASE COMPLETE	1	PC.
		INC.	256533-5	ROD 2.5	1	PC.
		INC.	423426-3	SPONGE SHEET A	1	PC.
		INC.	453149-9	FILTER BASE	1	PC.
056			310918-0	CAM	1	PC.
057			310919-8	HAMMER	1	PC.
058			232482-0	COMPRESSION SPRING 21	1	PC.
059			253431-4	FLAT WASHER 8	1	PC.
060			961004-6	RETAINING RING S-8	1	PC.
061			226856-5	SUPER GEAR 17	1	PC.
062			226857-3	INTERNAL GEAR 49	1	PC.
063			226855-7	SUPER GEAR 15	3	PC.
064			140F90-8	CARRIER COMPLETE	1	PC.
065			253430-6	FLAT WASHER 8	1	PC.
066			140H88-7	DIAL COMPLETE	1	PC.
		INC.	422431-7	SPONGE SHEET	1	PC.
067			922129-1	H.S.H.BOLT M4X16 WITH WG	1	PC.
<u>ACCESSORIES</u>						
A01			424474-5	SEALING CAP	5	PC.