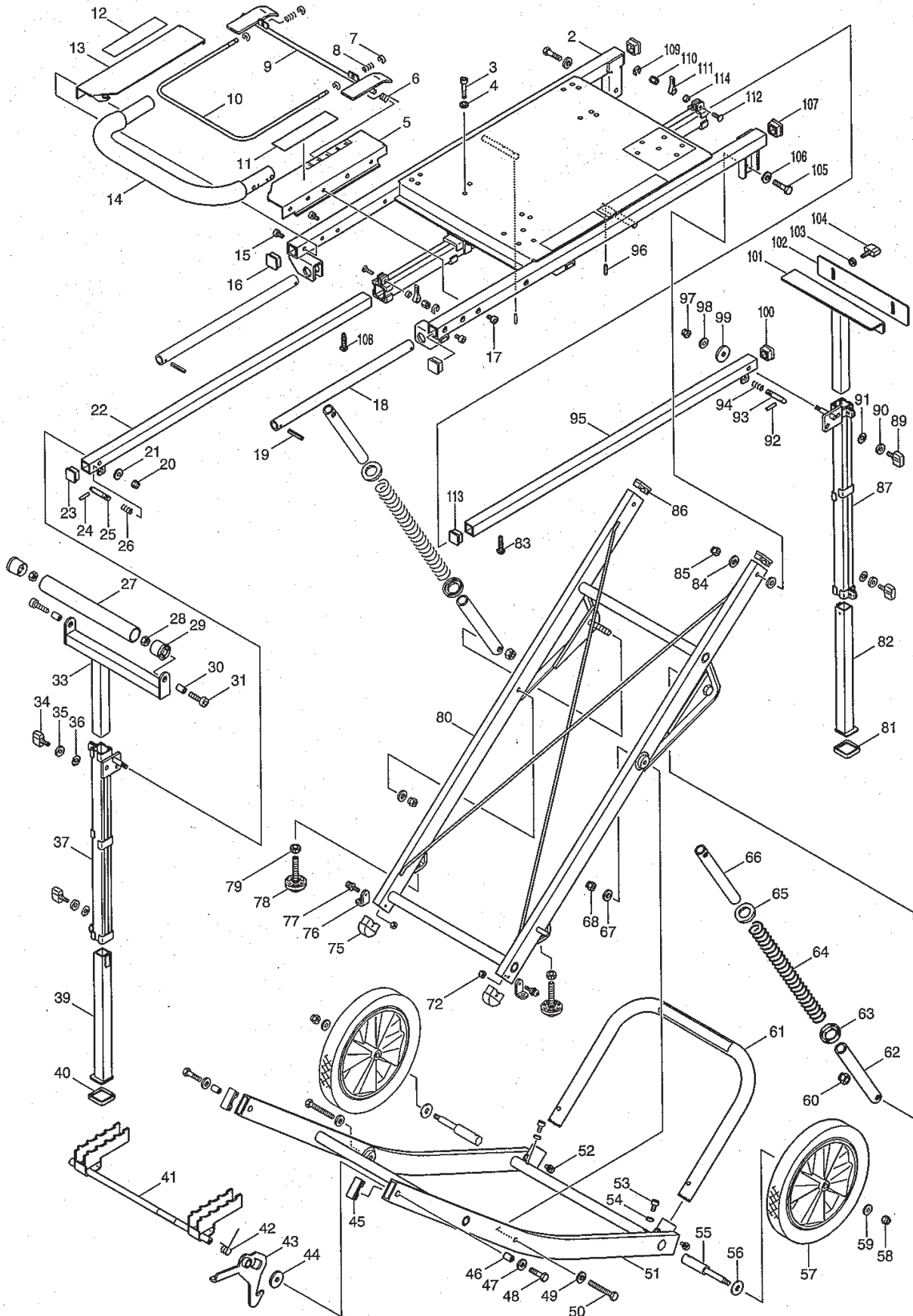




06 - 2009

194943-7

SLIDE MITRE SAW STAND



Item No	Type	Ref	Part No	Description	Qty	Unit
002			140202-7	FRAME COMPLETE	1	PC.
003			265503-3	HEX.BOLT M8X50	4	PC.
004			267371-0	FLAT WASHER 8	4	PC.
005			158396-4	RATCHET COVER A COMPLETE	1	PC.
		INC.	816890-9	INDICATION LABEL	1	PC.
		INC.	819293-6	MAKITA LOGO LABEL	1	PC.
006			233517-0	TORSION SPRING 15	1	PC.
007			259044-9	STOP RING E-7	4	PC.
008			231418-6	COMPRESSION SPRING 9	2	PC.
009			165474-3	STOPPER	1	PC.
010			324827-7	DOWN SHIFT LEVER	1	PC.
011			819173-6	MAKITA LOGO LABEL	1	PC.
012			819173-6	MAKITA LOGO LABEL	1	PC.
013			158605-1	RATCHET COVER B COMPLETE	1	PC.
		INC.	810334-1	CAUTION LABEL	1	PC.
014			158394-8	HANDLE COMPLETE	1	PC.
015			266447-0	HEX. SOCKET HEAD BOLT M8X30	4	PC.
016			450197-9	CAP 31	2	PC.
017			266447-0	HEX. SOCKET HEAD BOLT M8X30	4	PC.
018			331787-6	PIPE 25-458	2	PC.
019			951225-8	SPRING PIN 6-40	4	PC.
020			931402-8	HEX. NUT M8	2	PC.
021			267367-1	FLAT WASHER 10	2	PC.
022			165473-5	EXTENSION ARM	1	PC.
023			450196-1	CAP 28	1	PC.
024			951113-9	SPRING PIN 4-18	1	PC.
025			324831-6	PIN 10-60	1	PC.
026			231226-5	COMPRESSION SPRING 11	1	PC.
027			331791-5	PIPE 38-300	1	PC.
028			264015-3	HEX. NUT M10	2	PC.
029			450195-3	CAP 38	2	PC.
030			257589-1	SLEEVE 10	2	PC.
031			266434-9	HEX.SOCKET HEAD BOLT M10X40	2	PC.
033			165471-9	ROLLER SUPPORTER	1	PC.
034			265777-6	THUMB SCREW M8X20	2	PC.
035			253752-4	FLAT WASHER 8	2	PC.
036			267808-7	TOOTHED LOCK WASHER 8	2	PC.
037			165467-0	PIPE 31-540	1	PC.
039			158668-7	FOOT PIPE 28 COMPLETE	1	PC.
		INC.		Item No. 40		
040			424054-7	CUSHION	1	PC.
041			158397-2	TOP GUIDE COMPLETE	1	PC.
		INC.	816891-7	INDICATION LABEL	1	PC.
042			233518-8	TORSION SPRING 16	1	PC.
043			165497-1	LOCK LEVER	1	PC.
044			253134-0	FLAT WASHER 11	2	PC.
045			418846-4	CAP	2	PC.
046			257589-1	SLEEVE 10	2	PC.
047			267372-8	FLAT WASHER 10	2	PC.
048			265574-0	HEX. BOLT M10X40	2	PC.
049			267372-8	FLAT WASHER 10	2	PC.
050			265575-8	HEX. BOLT M10X75	2	PC.
051			165477-7	LEG B	1	PC.
052			266438-1	HEX. SOCKET HEAD BOLT M8X16	2	PC.

Item No	Type	Ref	Part No	Description	Qty	Unit
053			266438-1	HEX. SOCKET HEAD BOLT M8X16	2	PC.
054			267371-0	FLAT WASHER 8	2	PC.
055			324830-8	WHEEL SHAFT	2	PC.
056			253004-3	FLAT WASHER 13	2	PC.
057			168448-3	WHEEL 300	2	PC.
058			252130-5	HEX. LOCK NUT M10-17	2	PC.
059			267367-1	FLAT WASHER 10	2	PC.
060			264012-9	HEX. LOCK NUT M12-19	2	PC.
061			158519-4	FOOT ARM COMPLETE	1	PC.
062			331789-2	PIPE 28-230	2	PC.
063			345849-4	SPRING HOLDER	2	PC.
064			234033-5	COMPRESSION SPRING 29	2	PC.
065			345849-4	SPRING HOLDER	2	PC.
066			331790-7	PIPE 25-230	2	PC.
067			267372-8	FLAT WASHER 10	2	PC.
068			252130-5	HEX. LOCK NUT M10-17	2	PC.
072			264014-5	HEX. NUT M5	2	PC.
075			418847-2	FOOT	2	PC.
076			345695-5	FIX PLATE	2	PC.
077			265183-5	PAN HEAD SCREW M5X20	2	PC.
078			266353-9	ADJUST BOLT M12	2	PC.
079			252651-7	NUT M12	2	PC.
080			158615-8	LEG A COMPLETE	1	PC.
081			424054-7	CUSHION	1	PC.
082			158668-7	FOOT PIPE 28 COMPLETE	1	PC.
		INC.		Item No. 81		
083			266448-8	HEX. SOCKET HEAD BOLT M5X16	1	PC.
084			267372-8	FLAT WASHER 10	2	PC.
085			252130-5	HEX. LOCK NUT M10-17	2	PC.
086			418846-4	CAP	2	PC.
087			165467-0	PIPE 31-540	1	PC.
089			265777-6	THUMB SCREW M8X20	2	PC.
090			253752-4	FLAT WASHER 8	2	PC.
091			267808-7	TOOTHED LOCK WASHER 8	2	PC.
092			951113-9	SPRING PIN 4-18	1	PC.
093			324831-6	PIN 10-60	1	PC.
094			231226-5	COMPRESSION SPRING 11	1	PC.
095			165473-5	EXTENSION ARM	1	PC.
096			951113-9	SPRING PIN 4-18	4	PC.
097			931402-8	HEX. NUT M8	2	PC.
098			267367-1	FLAT WASHER 10	2	PC.
099			253134-0	FLAT WASHER 11	2	PC.
100			450196-1	CAP 28	1	PC.
101			165470-1	CONSTANT DIMENSIONS SUPPORTER	1	PC.
102			345851-7	CONSTANT DIMENSIONS PLATE	1	PC.
103			267371-0	FLAT WASHER 8	2	PC.
104			265777-6	THUMB SCREW M8X20	2	PC.
105			265574-0	HEX. BOLT M10X40	2	PC.
106			267372-8	FLAT WASHER 10	2	PC.
107			450197-9	CAP 31	2	PC.
108			266448-8	HEX. SOCKET HEAD BOLT M5X16	1	PC.
109			259043-1	RETAINING RING E TYPE 8	2	PC.
110			252133-9	HEX. NUT M6	2	PC.
111			272259-1	LEVER 40	2	PC.

Item No	Type	Ref	Part No	Description	Qty	Unit
112			266435-7	PAN HEAD SQUARE NECK BOLTM6X20	2	PC.
113			450196-1	CAP 28	1	PC.
114			257293-2	RING 7	2	PC.
200			848680-2	CARTON	1	PC.
<u>ACCESSORIES</u>						
A01			781006-4	WRENCH 13	1	PC.
A02			783204-6	HEX. WRENCH 6	1	PC.