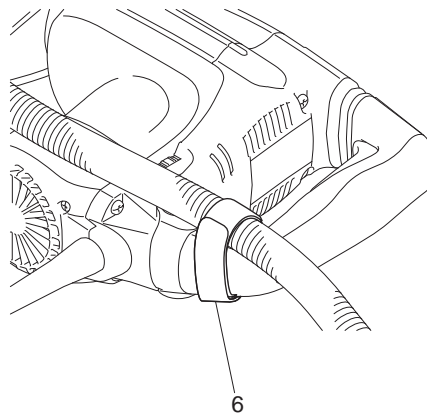
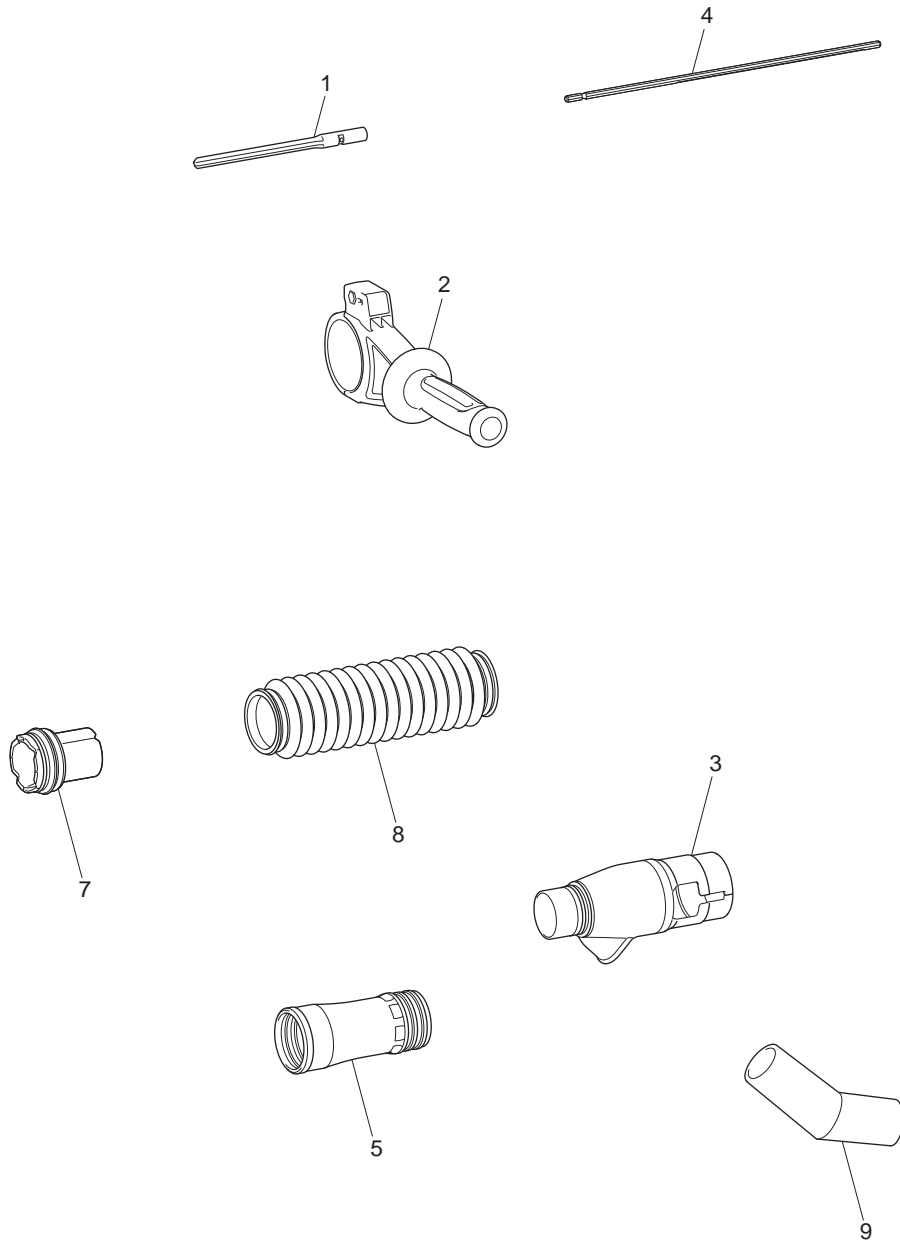




06 - 2012

196074-8

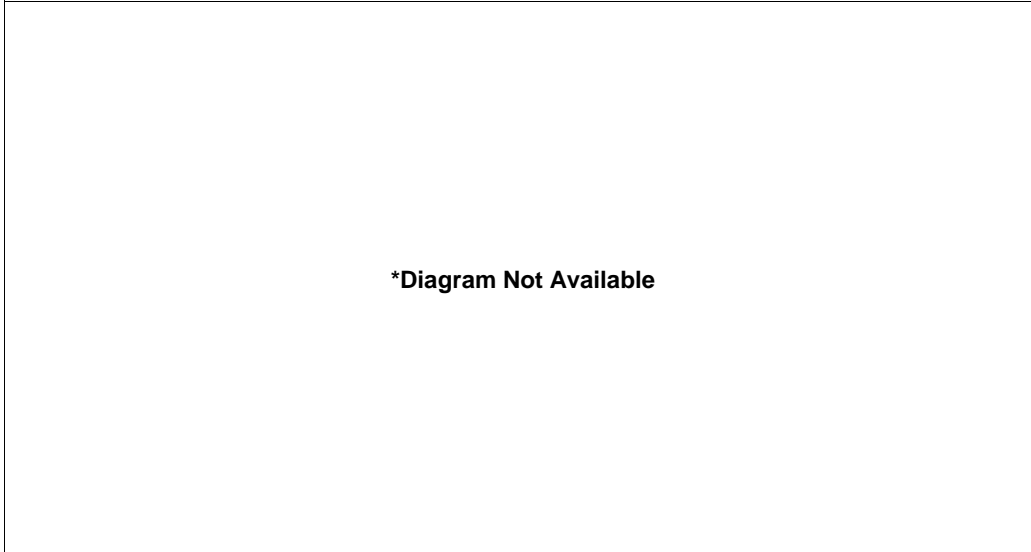
SDS-MAX DUST EXTRACTION ATTACHMENT (For Model HR4511C, HR4510C, HR4011C, HR4010C, HR4002, HR4001C)



Item No.	Type	Sub	Part No.	Description	Qty	Unit
001			123066-4	DEPTH GAUGE B ASSEMBLY	1	PC.
002			123138-5	SIDE GRIP ASSEMBLY	1	PC.
		INC.	158131-0	GRIP 36 COM.	1	PC.
		INC.	234226-4	COMPRESSION SPRING 6	1	PC.
		INC.	266163-4	CSN BOLT M8X80	1	PC.
		INC.	313223-4	RACK GUIDE	1	PC.
		INC.	344492-6	PLATE	1	PC.
		INC.	346535-0	GRIP SPRING 73	1	PC.
		INC.	453114-8	LOCK BUTTON	1	PC.
		INC.	453119-8	SIDE GRIP BASE 73	1	PC.
003			162332-4	DUST COVER COMPLETE	1	PC.
004			331955-1	DEPTH GAUGE	1	PC.
005			424472-9	DUST COVER CAP	2	PC.
006			444034-7	FIXED BAND	1	PC.
007	1		453115-6	JOINT	2	PC.
	2		455810-4	JOINT	2	PC.
008			453118-0	BELLOWS	2	PC.
009			453674-0	JOINT 25	1	PC.
<u>ACCESSORIES</u>						
A01			141734-7	PLASTIC CARRYING CASE COM.	1	PC.
A02			800E21-0	PLASTIC CASE LABEL, EN/FR/SP	2	PC.



01 - 2013
Part No. 196536-6
ROTARY HAMMER DUST EXTRACTOR ATTACHMENT
(For Model HR4013C / HR4013CV)



Item No.	Part No.	Description	Qty	Unit
001	123066-4	DEPTH GAUGE B ASSEMBLY	1	PC.
002	142287-9	PLASTIC CASE COMPLETE (Not available individually)	1	PC.
003	162356-0	DUST COVER COMPLETE	1	PC.
004	424472-9	DUST COVER CAP	2	PC.
005	453115-6	JOINT	2	PC.
	455810-4	JOINT	2	PC.
006	453118-0	BELLOWS	2	PC.
007	453674-0	JOINT 25	1	PC.
008	454809-6	HOSE HOLDER C	1	PC.
009	687010-0	BAND	1	PC.