

Item No.	Type	Sub	Part No.	Description	Qty	Unit
001	2		JM23400040	KNOB BOLT M8X18	2	PC.
002			JM21000060	FLAT WASHER 8	2	PC.
003			JM23600001	SET PLATE	1	PC.
004	2		JM23600002	H.S.BOLT M4X6	2	PC.
005			JM23600003	SUPPORT BRACKET	1	PC.
006	2		JM23600004	COVER	1	PC.
007			JM23600005	SLEEVE	2	PC.
008			JM23600006	LOCK KNOB A	2	PC.
009	1		JM23600015	RAIL COVER	2	PC.
	2		JM00000224	RAIL COVER	2	PC.
010			JM23600016	LOCK KNOB B	2	PC.
011			JM23600012	HEX NUT M8	2	PC.
012			JM23600014	CROSS HEAD SCREW M4	4	PC.
013			JM21000026	FLAT WASHER 4	4	PC.
014			JM23600013	FIX LINK PLATE	4	PC.
015			JM23600059	* HEX BOLT M8	4	PC.
016			JM21000059	* SPRING WASHER 8	4	PC.
017			JM21000060	* FLAT WASHER 8	4	PC.
018			JM23600029	* SLIDING RAIL	2	PC.
019			JM23600028	* SLOT NUT M8	4	PC.
020			JM23600027	* HEX BOLT M8	4	PC.
021			JM23600026	* FOOT	4	PC.
022			JM21000058	* HEX NUT M8	4	PC.
023			JM2361A006	* SPACER PLATE COMPLETE	2	PC.
023		INC.		* Item No.24,25		
024			JM23680006	* INDICATION	2	PC.
025			JM23600062	* SPACER PLATE (removed)	2	PC.
027			JM21000106	* LOCKNUT M8	2	PC.
028			JM23600030	* FLAT WASHER 8	2	PC.
029			JM23600025	* LOCK HANDLE	2	PC.
030	3		JM23610001	LOCK BRACKET COMPLETE	2	PC.
031			JM23600031	* HEX BOLT M8	4	PC.
032	1		JM23600060	* LEAF SPRING	2	PC.
	2		JM23600064	* HOOK	2	PC.
033			JM21000026	* FLAT WASHER 4	4	PC.
034			JM21000027	* SPRING WASHER 4	4	PC.
035	1		JM23600061	* H.S.BOLT M4	4	PC.
	2		JM23600065	* H.S.BOLT M4X20	4	PC.
036			JM23600022	* BOLT M8	2	PC.
037			JM23600021	* SPRING	2	PC.
038			JM23600020	* LOCK BLOCK	2	PC.
039			JM23600019	* FLAT WASHER 6	2	PC.
040			JM21000034	* SPRING WASHER 6	2	PC.
041			JM23600018	* H.S.BOLT M6	2	PC.
042			JM21000060	* FLAT WASHER 8	4	PC.
043			JM21000106	* LOCKNUT M8	4	PC.
044	2		JM00000225	* SELF-TAPPING SCREW ST3.5X13	2	PC.
045			JM23610002	MAIN FRAME COMPLETE	1	PC.
	2	INC.	JM00000193	LOGO LABEL	2	PC.
	2	INC.	JM00000196	CAUTION LABEL	2	PC.
046			JM23600033	TUBE	1	PC.
047			JM23600012	HEX NUT M8	2	PC.
048			JM23600011	CARRY HANDLE	1	PC.
049			JM21000060	FLAT WASHER 8	2	PC.
050			JM23600010	H.S.BOLT M8X12	2	PC.
051			JM23600007	EXT. WING	2	PC.
052			JM23600008	PAD A	6	PC.
053			JM23600009	PAD B	2	PC.
055	2		JM00000221	CROSS HEAD SCREW M4X10	2	PC.

Item No.	Type	Sub	Part No.	Description	Qty	Unit
056			JM23400038	SPACER	2	PC.
057			JM23400035	ROLLER COVER	2	PC.
058			JM21000106	LOCKNUT M8	2	PC.
059			JM23400036	ROLLER	1	PC.
060			JM23600034	H.S.BOLT M8	2	PC.
061			JM23600035	ROLLER SUPPORT	1	PC.
062		2	JM23600002	* H.S.BOLT M4X6	2	PC.
063			JM23600053	H.S.BOLT M6	4	PC.
064			JM21000034	SPRING WASHER 6	4	PC.
065			JM21000035	FLAT WASHER 6	4	PC.
066			JM21000060	FLAT WASHER 8	2	PC.
067			JM23600056	BOLT M8	2	PC.
068			JM23600055	WHEEL BRACKET	2	PC.
069			JM21000106	LOCKNUT M8	2	PC.
070			JM23600057	WHEEL	2	PC.
071			JM23600054	MAIN SUPPORT BRACKET A	1	PC.
072			JM21000035	FLAT WASHER 6	8	PC.
073			JM21000034	SPRING WASHER 6	8	PC.
074			JM23600053	H.S.BOLT M6	8	PC.
075			JM23600052	MAIN SUPPORT BRACKET B	1	PC.
076			JM23600053	H.S.BOLT M6	2	PC.
077			JM21000034	SPRING WASHER 6	2	PC.
078			JM21000035	FLAT WASHER 6	2	PC.
079			JM23600036	PULL HANDLE	1	PC.
080			JM21000063	HEX NUT M6	2	PC.
081			JM23600037	BOLT M8	4	PC.
082			JM23600041	FRICTION PAD 8	4	PC.
083			JM23600041	FRICTION PAD 8	4	PC.
084			JM21000106	LOCKNUT M8	4	PC.
085			JM23600042	E RING 6	4	PC.
086			JM21000060	FLAT WASHER 8	4	PC.
087			JM23600040	POSITION SPRING	4	PC.
088			JM23600039	FRICTION PAD 13	4	PC.
089			JM23600038	PIN	4	PC.
090		1	JM23610003	LEG A COMPLETE	1	PC.
		2	JM00000235	LEG A COMPLETE	1	PC.
091			JM23610005	LEG C COMPLETE	1	PC.
092		1	JM23610004	LEG B COMPLETE	1	PC.
		2	JM00000235	LEG A COMPLETE	1	PC.
093		1	JM23610003	LEG A COMPLETE	1	PC.
		2	JM00000235	LEG A COMPLETE	1	PC.
094			JM23600049	ADJUSTING NUT	1	PC.
095		1	JM23600048	LEG CAP B	1	PC.
		2	JM00000238	LEG FEET,A	1	PC.
096		1	JM23600047	LEG CAP A	3	PC.
		2	JM00000234	LEG FEET,B	3	PC.
097			JM23610051	* BRACKET SET TYPE 1 (* TPYE 2 SEE ITEM NO. 100)	1	PC.
				* Item No. 15-22,27-29,31-43		
098		INC.	JM00000256	ROLLER SET	1	PC.
				Item No. 56-62, 99		
099			JM23600004	COVER	1	PC.
100			JM00000219	* BRACKET SET	1	PC.
				* Item No. 101-104, 106-130		
101			JM23600059	* HEX BOLT M8	2	PC.
102			JM21000059	* SPRING WASHER 8	2	PC.
103			JM21000060	* FLAT WASHER 8	2	PC.
104			JM00000241	* SPACER PLATE COMPLETE	2	PC.
				* Item No. 105		
105		INC.	JM00000192	* INDICATION LABEL	2	PC.

Item No.	Type	Sub	Part No.	Description	Qty	Unit
106			JM23600029	* SLIDING RAIL	2	PC.
107			JM23600028	* SLOT NUT M8	4	PC.
108			JM00000165	* HEX BOLT M8X30	4	PC.
109			JM00000166	* FOOT	4	PC.
110			JM21000058	* HEX NUT M8	4	PC.
111			JM23600027	* HEX BOLT M8	4	PC.
112			JM00000226	* BRACKET L COMPLETE	1	PC.
		INC.	JM00000194	* L LABEL	1	PC.
113			JM21000060	* FLAT WASHER 8	4	PC.
114			JM21000106	* LOCKNUT M8	4	PC.
115			JM00000227	* SPRING BUSH	2	PC.
116			JM00000176	* SPRING A	2	PC.
117			JM00000174	* PIN 4X18	2	PC.
118			JM00000173	* SPRING B	2	PC.
119			JM00000172	* SAFETY LEVER	2	PC.
120			JM00000167	* CROSS HEAD SCREW M6X50	2	PC.
121			JM27000024	* FLAT WASHER 6	2	PC.
122			JM00000175	* LOCK LEVER	2	PC.
123			JM27000024	* FLAT WASHER 6	2	PC.
124			JM00000169	* LOCK NUT M6	2	PC.
125			JM00000167	* CROSS HEAD SCREW M6X50	2	PC.
126			JM27000024	* FLAT WASHER 6	2	PC.
127			JM00000168	* LOCK HOLDER	2	PC.
128			JM27000024	* FLAT WASHER 6	2	PC.
129			JM00000169	* LOCK NUT M6	2	PC.
130			JM00000228	* BRACKET RIGHT COMPLETE	1	PC.
		INC.	JM00000195	* R LABEL	1	PC.
<b><u>ACCESSORIES</u></b>						
A01			JM23600058	WRENCH 13	1	PC.
A02			JM23400087	HEX. WRENCH 5	1	PC.

**SERVICE CHANGES**

1. Material of Leaf spring has been changed to prevent damage to Main frame.  
(T/I# Y07182)

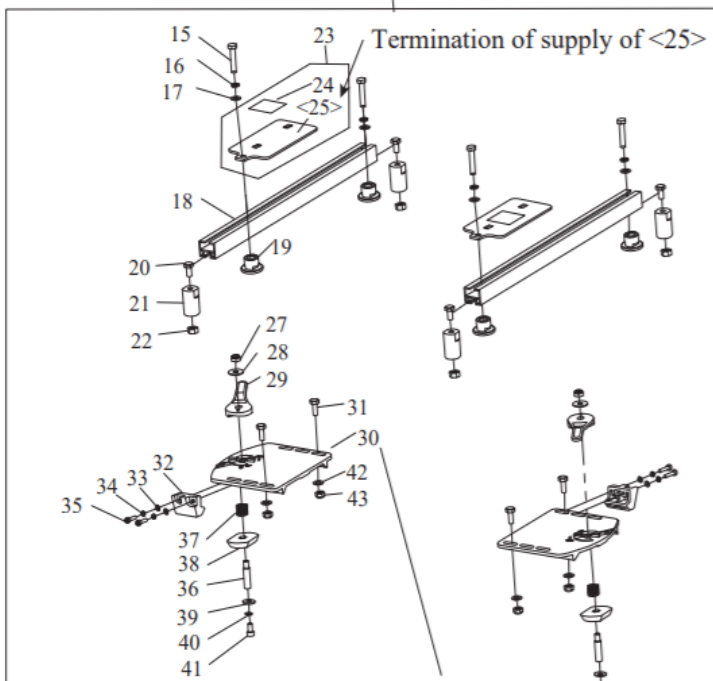
Item No.	Description	Type 1	Type 2
32	Leaf Spring / Hook	JM23600060	JM23600064
35	Hex Socket Bolt	JM23600061	JM23600065

Above parts are interchangeable as a set.

2. Changes on Bracket Set (T/I#Y08458)

Item No.	Description	Type 1	Type 2
97	Bracket set	JM23610051	---
100	Bracket set	---	JM00000219

Item No. 97 Type 1 Bracket (JM23610051)



Item No. 100 Type 2 Bracket (JM00000219)

