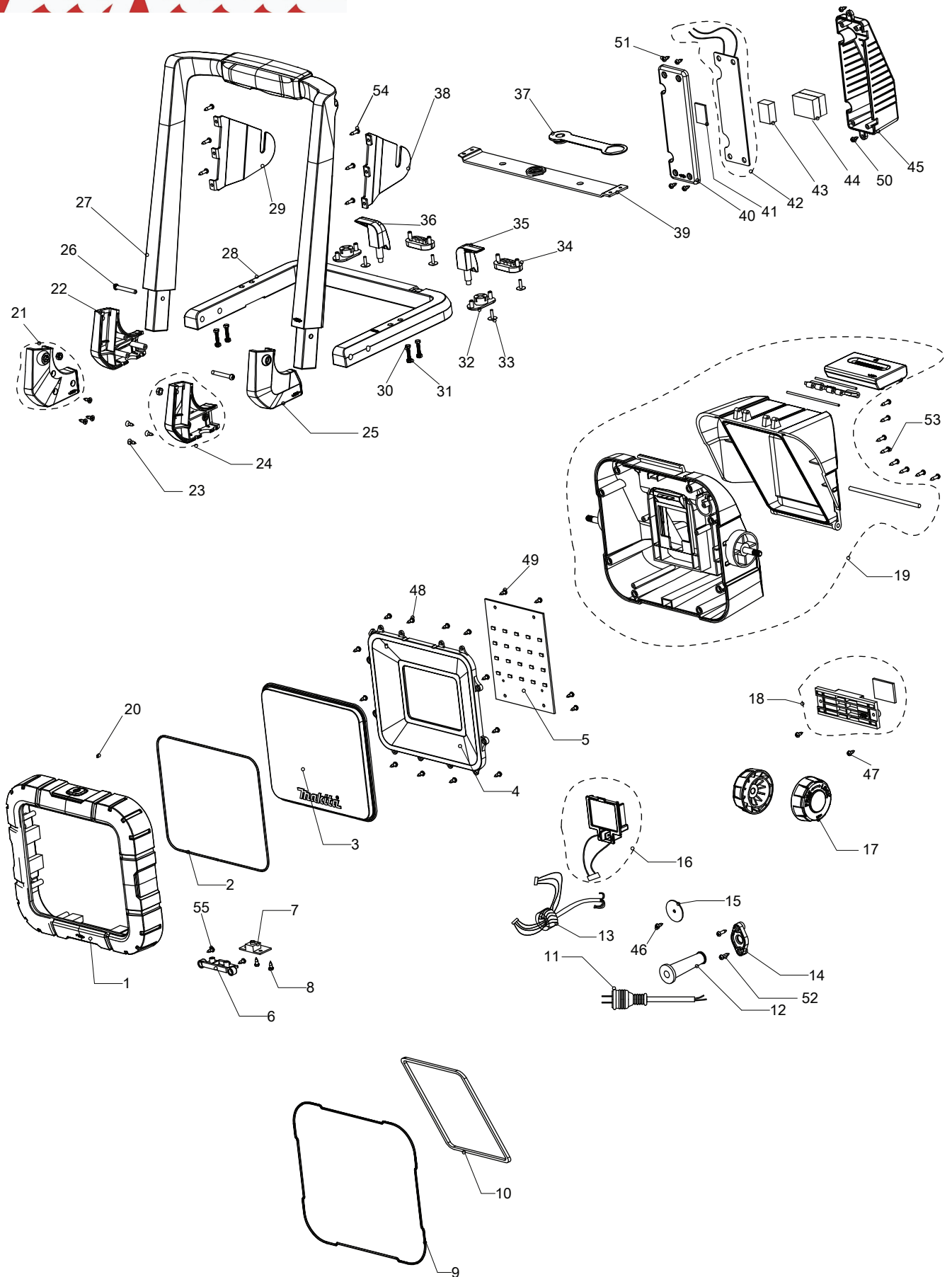




03 - 2015

DML805

14.4 / 18V LED WORKLIGHT (AC/DC)



Item No.	Type Ref	Part No.	Description	Qty	Unit
001		GM00001356	HOUSING(FRONT)	1	PC.
002		GM00001353	PACKING	1	PC.
003		GM00001378	LENS	1	PC.
004		GM00001358	REFLECTOR	1	PC.
005		GM00001359	LED CIRCUIT	1	PC.
006		GM00001341	SWITCH BRACKET	1	PC.
007		GM00001360	SWITCH CIRCUIT	1	PC.
008		GM00001332	SCREW 3 X 8	2	PC.
009		GM00001354	PACKING	1	PC.
010		GM00001352	PACKING	1	PC.
011		GM00001423	CORD W/PLUG	1	PC.
012		GM00001416	CORD GUARD	1	PC.
013		GM00001361	LEAD WIRE ASSY	1	PC.
014		GM00001344	CORD CLAMP	1	PC.
015		GM00001338	CORD HOLDER	1	PC.
016		GM00001362	BATTERY HOLDER	1	PC.
017		GM00001342	KNOB	2	PC.
018		GM00001363	FIX PLATE ASSY	1	PC.
019		GM00001379	BATTERY COVER ASSY	1	PC.
020		GM00001343	SWITCH ROD	1	PC.
021		GM00001371	BRACKET LEFT, RIGHT SIDE	1	PC.
022		GM00001345	BRACKET LEFT, LEFT SIDE	1	PC.
023		GM00001334	SCREW 3 X 12	6	PC.
024		GM00001372	BRACKET RIGHT, LEFT SIDE	1	PC.
025		GM00001346	BRACKET RIGHT, RIGHT SIDE	1	PC.
026		GM00001336	SCREW PM4X29	2	PC.
027		GM00001365	FRAME	1	PC.
028		GM00001366	BASE	1	PC.
029		GM00001367	HANGER L	1	PC.
030		GM00001335	SCREW M3 X18	4	PC.
031		GM00001337	NUT M3	4	PC.
032		GM00001350	FOOT (FRONT)	2	PC.
033		GM00001331	SCREW 2.6 X 10	4	PC.
034		GM00001351	FOOT (BACK)	2	PC.
035		GM00001347	CORD HOOK, RIGHT	1	PC.
036		GM00001348	CORD HOOK, LEFT	1	PC.
037		GM00001349	ADAPTER	1	PC.
038		GM00001368	HANGER R	1	PC.
039		GM00001369	UNDER STAND	1	PC.
040		GM00001340	HOUSING (BOTTOM)	1	PC.
041		GM00001374	PAD A	1	PC.
042		GM00001428	POWER CIRCUIT ASSY	1	PC.
043		GM00001328	PAD B	1	PC.
044		GM00001375	PAD C	1	PC.
045		GM00001376	HOUSING (TOP)	1	PC.
046		GM00001332	SCREW 3 X 8	1	PC.
047		GM00001332	SCREW 3 X 8	2	PC.
048		GM00001332	SCREW 3 X 8	12	PC.
049		GM00001332	SCREW 3 X 8	4	PC.
050		GM00001332	SCREW 3 X 8	2	PC.
051		GM00001332	SCREW 3 X 8	4	PC.
052		GM00001333	SCREW 3 X 12	2	PC.
053		GM00001333	SCREW 3 X 12	8	PC.
054		GM00001333	SCREW 3 X 12	6	PC.
055		GM00001333	SCREW 3 X 12	2	PC.

ACCESSORIES

- See Catalogue or visit www.makita.ca for more accessories -

Item No.	Type	Ref	Part No.	Description	Qty	Unit
A01	1		GM00001381	TRIPOD	1	PC.
	2		GM00002283	TRIPOD	1	PC.
A02			GM00001396	WISE	1	PC.
A03			A-58154	ANTI GLARE FILM	1	PC.
A04			-----	14.4/18V LI-ION BATTERY		
A05			-----	BATTERY CHARGER		
A06			-----	LI-ION BATTERY ACCESSORIES		