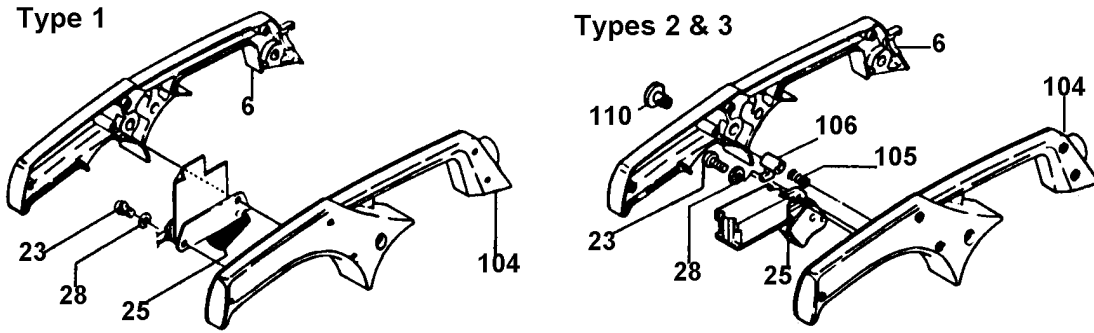


Item No.	Part No.	No. Used	Description	Item No.	Part No.	No. Used	Description
1	911148-2	3	P.H. Screw M4x25 (With Washer)	55	221 628-3	1	Helical Gear 54
2	654502-4	2	Solderless Connector P-2	56	312911-0	1	Bearing Housing (Includes Item 47)
3	911273-9	2	P.H. Screw M5x50 (With Washer)	57	253755-8	1	Flat Washer 20
4	911253-5	1	P.H. Screw M5x30 (With Washer)	58	911276-3	4	P.H. Screw M5x55(With Washer)
5	931102-0	3	Hex Nut M4	59	224141-0	1	Inner Flange
6	<b>181153-5</b>	1	Handle Set *	60	257060-5	1	Ring
7	<b>911133-5</b>	2	P.H. Screw M4x18 (With Washer) (Old 911131-9)	61	2241 37-1	1	Outer Flange
8	687001 -1	1	Strain Relief	62	251 680-7	1	Hex Bolt M10x25 (With Washer)
9	682507-4	1	Cord Guard	63	253751 -6	1	Flat Washer 24
10	664723-0	1	Cord With Plug 3P-16-2.5M, SJ	64	251 683-1	1	Hex Bolt M8x40
11	911334-5	1	P.H. Screw M6x20 (With Washer) * (Old)	65	942201-3	1	Spring Washer 8
12	322049-3	1	Hook	66	345141-8	1	Pipe Cover (L)
13	924206-5	1	Thumb Screw M5x10	67	251 683-1	1	Hex Bolt M8x40
14	942101-7	1	Spring Washer 5	68	942201-3	1	Spring Washer 8
15	341395-5	1	Stopper Plate	69	3451 42-6	1	Pipe Cover (R)
16	931302-2	1	Hex Nut M6 * (Old)	70	253751 -6	1	Flat Washer 24
17	931302-2	1	Hex Nut	71	331 087-4	1	Pipe 24
18	942151-2	1	Spring Washer 6	72	231 526-3	1	Torsion Spring 26
19	253011-6	1	Flat Washer 6	73	942251 -8	2	Spring Washer 10
20	<b>282013-5</b>	1	Chain *	74	265201 -9	2	Hex Bolt M10x25 (With Washer)
21	265380-3	1	Hex Bolt M6x18 *	75	941251-5	1	Flat Washer 10
22	953106-2	4	Rivet 0-5	76	345145-0A	1	Guide Plate (Type 2) *
23	<b>911111-5</b>	*	P.H. Screw (With Washer) *	78	<b>911349-2</b>	3	P.H. Screw M6x20 (With Washer) *
24	284010-7	1	Rear Cover	80	<b>421277-8</b>	3	Cushion *
25	<b>651131-4</b>	1	Switch *	82	<b>272021-4</b>	1	Handle *
26	911211-1	2	P.H. Screw M5x12 (With Washer)	83	<b>951163-4</b>	1	Spring Pin *
27	654020-2	2	Garter Spring	84	164450-4	1	Base Assy (Includes Items 78-81)
28	<b>941052-1</b>	*	Flat Washer 4 *	85	931401 -0	1	Hex Nut M8 *
29	263002-9	1	Rubber Pin 4	86	942201 -3	1	Spring Washer 8 *
30	643650-4	2	Brush Holder Cap	87	253752-4	1	Flat Washer 8 *
31	<b>181 047-4</b>	2	Carbon Brush CB-154 (2pcs/Set)	89	253011-6	1	Flat Washer 6
	<b>181 048-2</b>	2	Auto Cut-Off Carbon Brush CB-155 (Optional) (2pcs/Set)	90	911316-7	1	P.H. Screw M6x14 (With Washer)
32	<b>156409-5</b>	1	Motor Hsg(With Items 29, 111 & 112) (Old 156770-0)	91	<b>343546-6</b>	1	Vice Plate *
33	681002-1	2	Insulation Washer	92	<b>265922-3</b>	1	Hex Bolt M8/Screw M8 *
34	343299-7	1	Baffle Plate (Fan Guide)	94	<b>253731 -2</b>	1	Flat Washer *
35	211066-7	1	Ball Bearing 6200LLB	96	<b>911451 -1</b>	2	P.H. Screw M8X30 (With Washer)
36	213051-6	1	Dust Seal 10	97	<b>253731 -2</b>	1	Flat Washer *
37	624491-7	1	Field Assy (With Items 2 & 27)	98	<b>322209-7</b>	1	Vice Nut *
38	911938-3	2	P.H. Screw M5x85 (With Washer & Bond)	99	<b>951 066-2</b>	1	Spring Pin *
39	614541-6	1	Armature Assy (Includes Items 35, 36 & 40-42)	100	<b>322239-8</b>	1	Vice Screw *
40	<b>241515-0</b>	1	Fan 92 (Old 241054-0)	104	<b>181153-5</b>	1	Handle Set (Includes Items 5 & 107) *
41	21 3202-1	1	Dust Seal 15	105	<b>231 026-3</b>	1	Compression Spring 4 (Type 2 Add.) *
42	211206-7	1	Ball Bearing 6202LLB	106	<b>411446-9</b>	1	Switch Lock (Type 2 Added) *
43	155200-8	1	Safety Cover (Includes Torsion Spring 21 - 231538-6)	107	931 202-6	3	Hex Nut M5
44	325530-3	1	Spindle	108	911106-8	1	Screw M4x8
45	254032-1	1	Woodruff Key 5	109	<b>213460-9</b>	1	O Ring 35 (Type 2) *
46	211306-3	1	Ball Bearing 6204LLB	110	411447-7	1	Lock-Off Switch Button *
47	263005-3	1	Rubber Pin 6	111	643653-8	2	Brush Holder
48	263002-9	1	Rubber Pin 4	112	913206-0	2	Set Screw M5x8
49	231240-1	1	Compression Spring 7	113	<b>311949-2</b>	1	Screw Guide (Add.) * (Old 311830-7)
50	325518-3	1	Stopper (Shaft Lock)	114	<b>416771-3</b>	1	Plug
52	<b>157331 -9</b>	1	Gear Housing *	200	652014-1	5	(+) P.H. Screw M4x8
53	211061-7	1	Ball Bearing 6000LLB	201	654038-3	2	Insulated Eye Terminal FV1 .25-M4
54	961060-6	1	Retaining Ring S-20	202	654002-4	1	Solderless Eye Terminal 1 .25-M4
				203	654014-7	2	Insulated Eye Terminal FV2-M4
				<b>Accessories</b>			
				A01	782210-8	1	Socket Wrench 17
				A02	----	1	Cut-Off Wheel (See Catalogue for Details)
				A03	134548-1	1	Quick Vice Assy (Type 3)(For Breakdown See Page 6)

\*SEE SERVICE CHANGES

**SERVICE CHANGES**

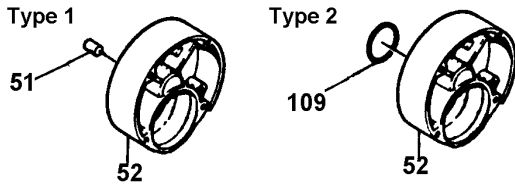
**1. Change on Handle and Switch.**



Item No.	Description	Type 1	Type 2	Type 3
6	Handle (L)	411380-3 (No Longer Available)	<b>181153-5</b> (Set) (411433-8 - No Longer Available)	
23	P.H. Screw	911101-8 (M4x6) (1pc.)	911111-5 or 911113-1 (M4x10) (2pcs.)	
25	Switch	651008-3 (AC Single-Pole) (No Longer Available)	651113-6 (No Longer Available)	651131-4
			(AC/DC Double-Pole)	
28	Flat Washer 4	941051-3 (M4x6) (1pc.)	941052-1 (M4x10) (2pcs.)	
104	Handle (R)	411381-1 (No Longer Available)	<b>181153-5</b> (Set) (411434-6)	
105	Compression Spring 4	----	231026-3 (Added)	
106	Switch Lock	---	411446-9 (Added)	
110	Lock-Off Switch Button	----	411447-7	
	Serial No.	~ 2734E	2735E ~ 795672	795673 ~

Above parts are completely interchangeable as a set.

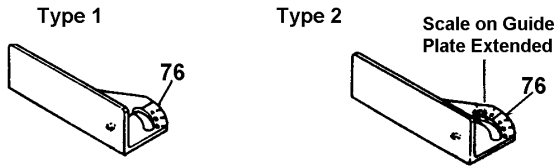
**2. Change on Gear Housing.**



Item No.	Description	Type 1	Type 2
51	Rubber Pin 6	263005-3	----
52	Gear Housing	312913-6(No Longer Available)	157331-9
109	O Ring 35	-----	213460-9

Above parts are completely interchangeable as a set.

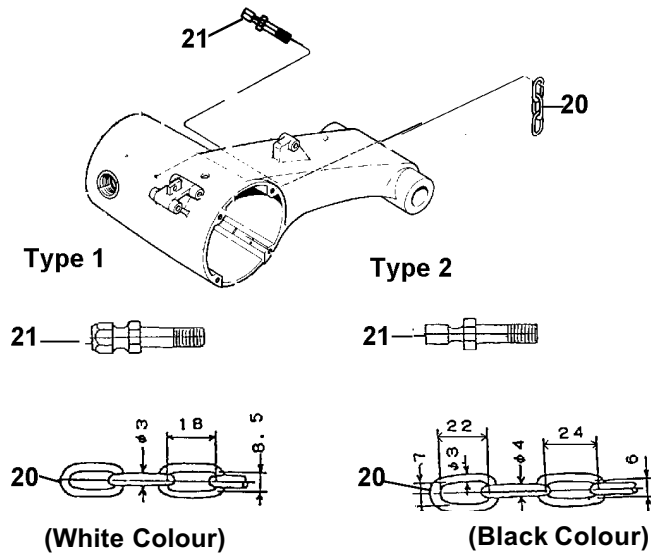
**3. Change on Guide Plate.**



Item No.	Description	Type 1	Type 2
76	Guide Plate	345145-0 (No Longer Available)	345145-0A

Above part is completely interchangeable as itself.

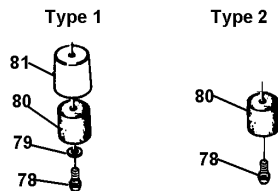
**4. Change on Chain and Hex Bolt M6x18.**



Item No.	Description	Type 1	Type 2
20	Chain	282005-4 (No Longer Available)	282013-5
21	Hex Bolt M6x18	251682-3 (No Longer Available)	265380-3
	Serial No.	~ 227380	227381 ~

Above parts are completely interchangeable as a set.  
Type 2 Hex Bolt can be used for Type 1 Chain too.

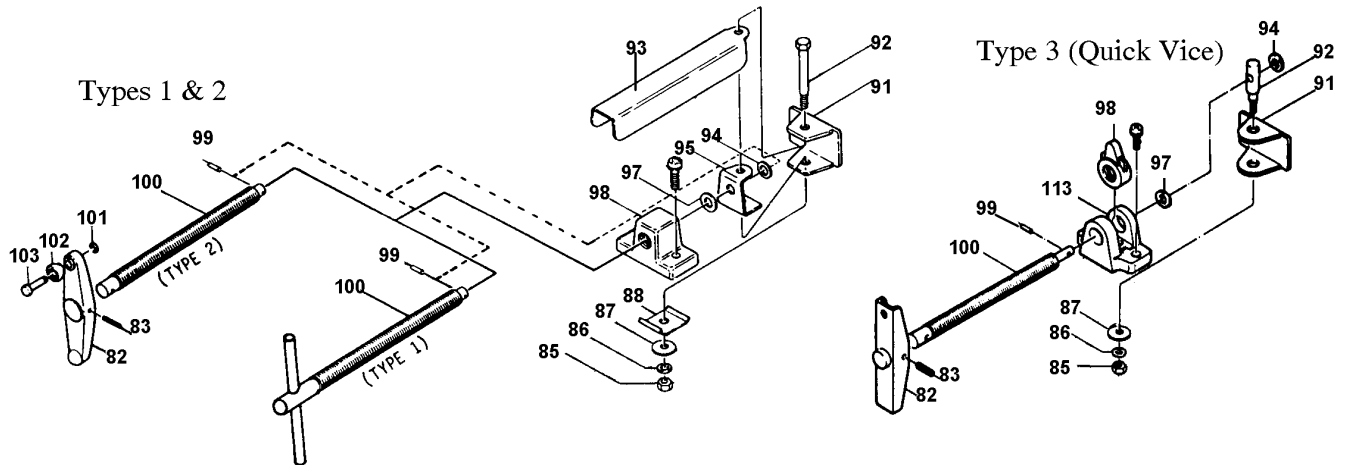
**5. Change on Cushion and Cover.**



Item No.	Description	Type 1	Type 2
78	P.H. Screw	911331-1 M6x20	911349-2 M6x28
79	Flat Washer 6	253111-2	-----
80	Cushion	411387-9	421277-8
81	Cover	342498-8	-----

Above parts are completely interchangeable as a set.

**6. Change on Vice Assy.**



Item No.	Description	Type 1	Type 2	Type 3
82	Handle 130/120	-----	272014-1	272021-4
83	Spring Pin 5-28/5-20	-----	951169-2	951163-4
85	Hex Nut M8		931401-0	
86	Spring Washer 8		942201-3	
87	Flat Washer 8		253752-4	
88	Leaf Spring	232047-8		-----
91	Vice Plate	342495-4		343546-6
92	Hex Bolt M6/Screw M8	251679-2 (No Longer Available)		265922-3
93	Screw Cover	342497-0		-----
94	Flat Washer 12/8	253052-2		253731-2
95	Connector	342496-2		-----
97	Flat Washer 12/8	253744-3		253731-2
98	Vice Nut	311402-8		322209-7
99	Spring Pin 4-20/3-18	951116-3		951066-2
100	Vice Screw	163095-5 (No Longer Available)	323689-0	322239-8
101	Stop Rign E-6	-----	961012-7	-----
102	Knob 20	-----	271607-1	-----
103	Pin 8	-----	256614-5	-----
113	Screw Guide	-----	-----	<b>311949-2</b> (Old 311830-7)
A03	Vice Assy	-----	132373-4(No Longer Available)	134548-1

Above parts are completely interchangeable as a set.  
Type 2 Vice Assy and parts are still available.