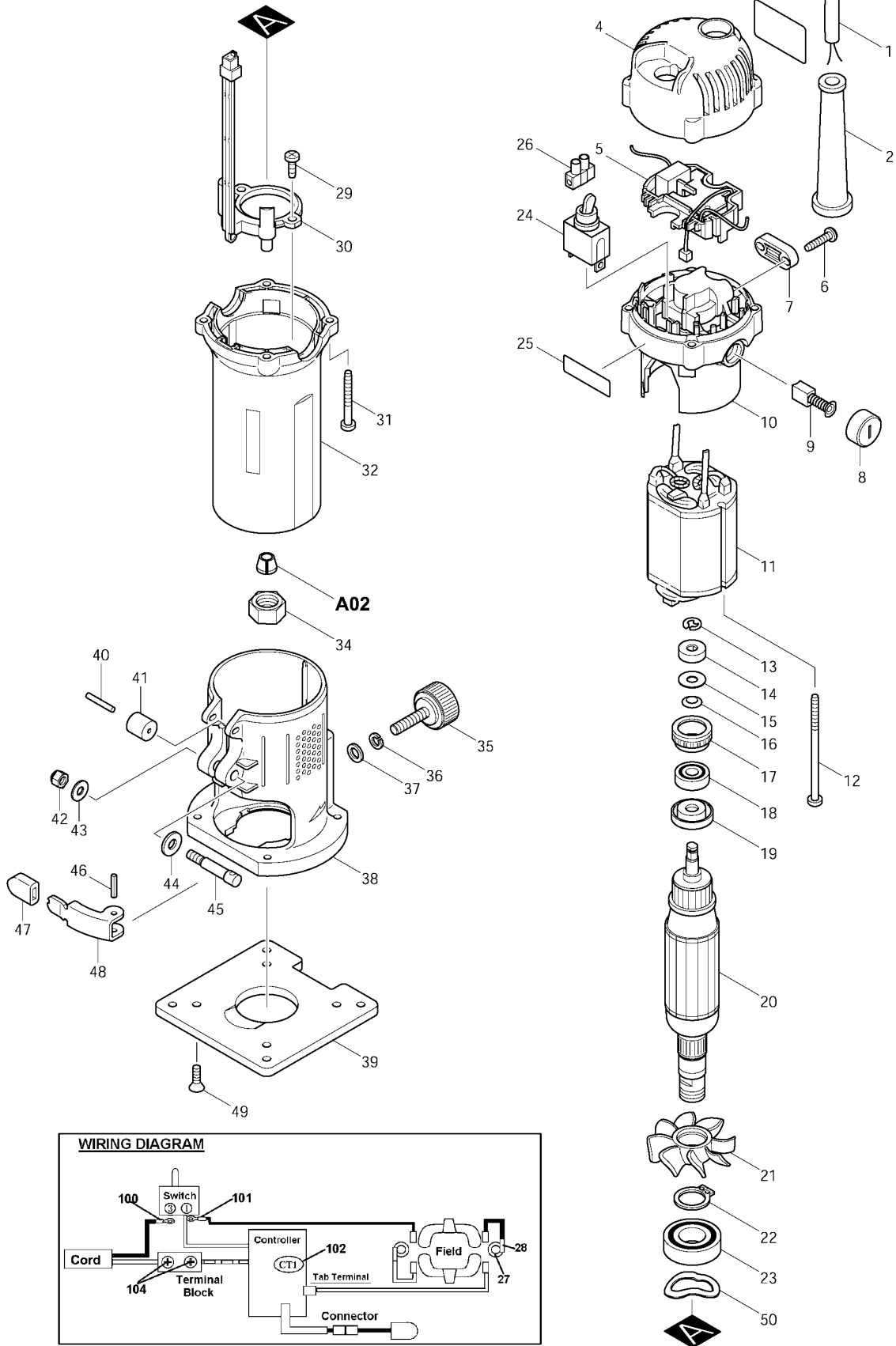
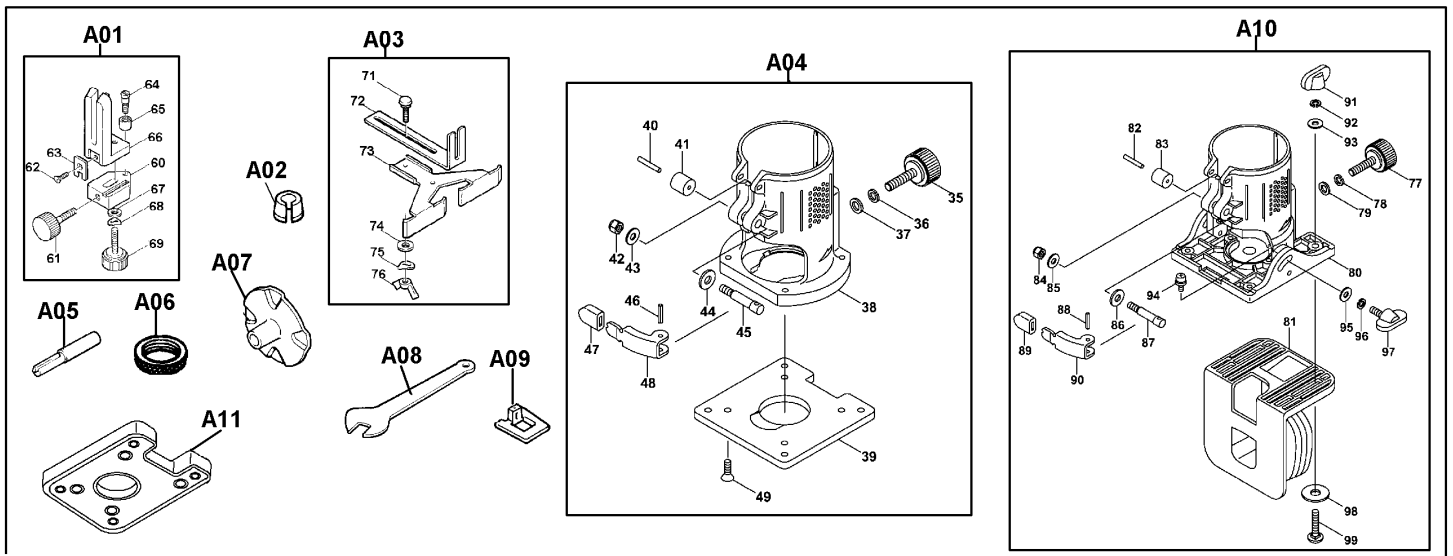


1/4" TRIMMER WITH LIGHT V.S. Model 3707FC (MJ)





Item No.	Part No.	No. Used	Description	Item No.	Part No.	No. Used	Description
1	664013-1	1	Cord with Plug 2P-18-2.5M	39	417749-9	1	Base Protector
2	682502-4	1	Cord Guard 8-85	40	256158-5A	1	Pin 3
4	417747-3	1	Rear Cover	41	421566-1	1	Roller
5	631479-0	1	Controller	42	252103-8	1	Hex. Lock Nut M5-8
6	265995-6	2	Tapping Screw 4X18	43	941101-4	1	Flat Washer 5
7	687063-9	1	Strain Relief	44	267214-6	1	Flat Washer 6
8	643928-5	2	Brush Holder Cap	45	324243-3	1	Support Pin
9	191938-1	1	Carbon Brush CB-408 (2 pcs/Set)	46	951060-4	1	Spring Pin 3-14
10	183417-3	1	Motor Rear Housing (Includes 2X643981-1 - Brush Holder 6X9 & Item 25)	47	421818-0	1	Rubber Cap
11	595061-8	1	Field Assy (Includes Items 27 & 28)	48	345229-4	1	Lock Lever
12	266004-4	2	Tapping Screw 4X70	49	912122-3	4	Countersunk Head Screw M4X14
13	259039-2	1	Self Lock 6	50	253905-5	1	Wave Washer 23
14	688117-5	1	Magnet Sleeve	60	312650-2	1	Trimmer Guide
15	253332-6	1	Thin Washer 6	61	251819-2	1	Screw M6
16	267756-0	1	Wave Washer 6	62	912116-8	1	Countersunk Head Screw M4X12
17	421494-0	1	Rubber Ring 19	63	341136-9	1	Hook
18	210017-7	1	Ball Bearing 607DDW	64	251420-3	1	- Flat Head Screw M5
19	681636-0	1	Insulation Washer	65	323495-3	1	Roller 11
20	517566-8	1	Armature Assy (Includes Items 18, 19, 21 & 22)	66	312396-0	1	Guide Holder
21	240049-0	1	Fan 48	67	941151-9	1	Flat Washer 6
22	961055-9	1	Retaining Ring S-15	68	253903-9	1	Wave Washer 6
23	211236-8	1	Ball Bearing 6002DDW	69	251815-0	1	Screw M6X25
24	651423-1	1	Switch (Single)	71	251919-8	1	Cap Square Neck Bolt M6x20
25	819720-3	1	Makita Label	72	343593-7	1	Guide Plate
26	654544-8	1	Terminal Block	73	343594-5	1	Straight Guide
27	654100-4	2	Ring Terminal	74	941151-9	1	Flat Washer 6
28	654501-6	2	Connector P-1.25	75	253903-9	1	Wave Washer 6
29	251991-0	2	+ Tapping Screw M4X12	76	934301-3	1	Wing Nut M6
30	631480-5	1	LED Circuit	77	251814-2	1	Thumb Screw M6X18
31	266053-1	4	Tapping Screw 4X35	78	942151-2	1	Spring Washer 6
32	153346-4	1	Motor Housing Com.[Includes 816742-4 - Scale Label "INCH" & 817487-7 - Caution Label (Old 817485-1)]	79	941151-9	1	Flat Washer 6
34	763606-2	1	Collet Nut 6	80	153351-1	1	Base Com. (Includes 2X256093-7 - Pin4)
35	251815-0	1	Screw M6X25	81	414304-8	1	Trimmer Shoe
36	942151-2	1	Spring Washer 6	82	256158-5A	1	Pin 3
37	941151-9	1	Flat Washer 6	83	421566-1	1	Roller
38	417748-1	1	Base	84	252103-8	1	Hex Lock Nut M5-8
				85	941101-4	1	Flat Washer 5
				86	267214-6	1	Flat Washer 6
				87	324243-3	1	Support Pin
				88	951060-4	1	Spring Pin 3-14
				89	421818-0	1	Rubber Cap
				90	345229-4	1	Lock Lever

Item No.	Part No.	No. Used	Description	Item No.	Part No.	No. Used	Description
91	252646-0	2	Wing Nut M5				Items 71 - 76)
92	942101-7	2	Spring Washer 5	A04	122655-2	1	Trimmer Base Assy (Includes A01 + Items 35 - 49)
93	941101-4	2	Flat Washer 5				
94	911114-9	2	P.H., Screw M4X10	A05	-----	1	Router Bits (See Catalogue for Details)
95	941101-4	2	Flat Washer 5				
96	942101-7	2	Spring Washer 5	A06	252627-4	1	Nut M30 (Use with Templet Guide 1" (193235-1)
97	265740-9	2	Thumb Screw M5X15				
98	267248-9	2	Falt Washer 8				
99	923241-0	2	R.H. Square Neck Bolt M5X25				
100	654037-5	1	Insulated Eye Terminal RBV1.25-3.5	A07	323295-1	1	Templet Guide
101	654077-3	1	Insulated Eye Terminal FV2-M3		193235-1	1	Templet Guide 1" (2 pc Templet Guide)
102	654224-6	1	Receptacle				
104	652008-6	2	P.H. Screw M3.5X7				
Accessories				A08	781003-0	1	Wrench 10
A01	122389-7	1	Trimmer Guide Assy (Includes Items 60 - 69)		781008-0	1	Wrench 17
A02	763608-8	1	Collet Cone 1/4"	A09	155263-4	1	Trimmer Shoe
A03	122391-0	1	Straight Guide Assy (Includes	A10	122657-8	1	Tilt Trimmer Base Assy (Includes Items 77 - 99)
				A11	153586-4	1	Base Protector Base

REPAIR TOOLS

- 1R291 - Retaining Ring (F/S & R) Pliers
- 1R268 - Spring Pin Extractor M3
- 1R269 - Bearing Extractor
- 1R288 - Screwdriver Magnetizer
- 1R026 - Bearing Setting Pipe 8.2-16

REPAIR NOTE:

ASSEMBLING ARMATURE ON COMMUTATOR SIDE

1. Do not assemble the used self lock (Item 13). The self lock has to be always replaced with a new one.
2. Pay attention to the assembling direction of self lock (Item 13) and Wave Washer 6 (Item 16).
3. The Magnet Sleeve (Item 14) is installed to the armature shaft on Commutator side for sensing the variation of rotating speed. If it would be damaged, the electronic speed control does not work anymore. So, applying 1R026 "Bearing setting pipe" to self lock, press it with your hand, instead of with arbor press.

