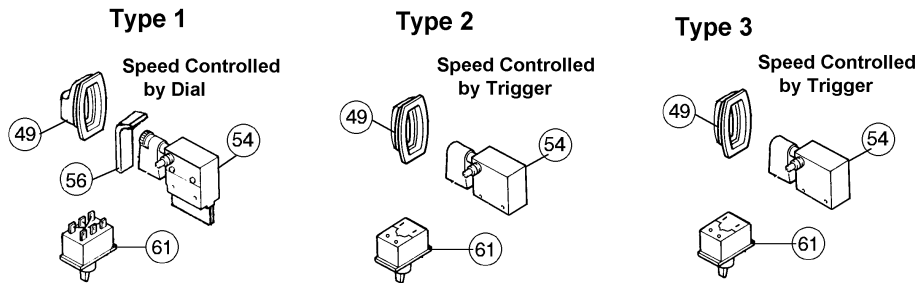




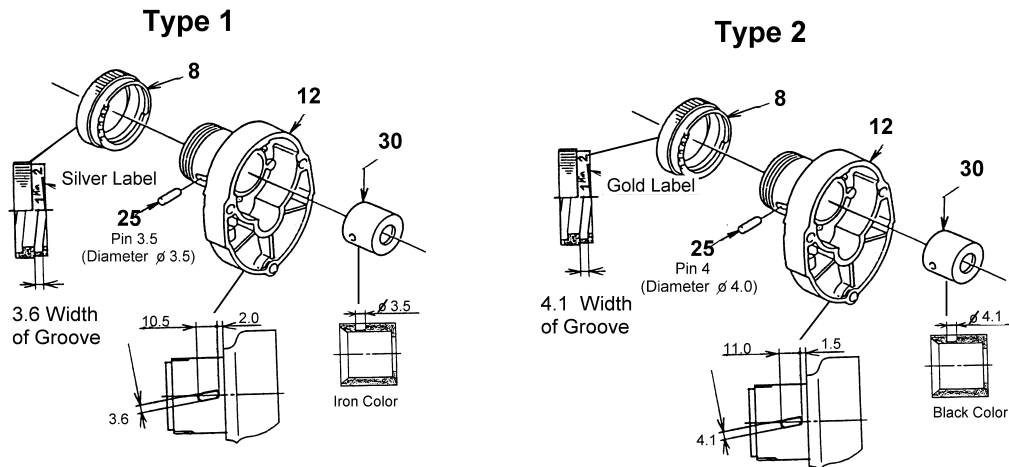
## SERVICE CHANGE

### 1. Change on Switches, Sponge Sheet, Reversing Switch, etc.



Item No.	Description	Type 1	Type 2	Type 3
49	Switch Cover	421145-5(Rubber)	411852-8 (Plastic)	
54	Switch V.S. (Changed by Trigger)	651314-6	651271-8	<b>650206-6</b>
	Switch (Speed Changed by Dial)	685717-2	651270-0 (Option)	<b>650205-8 (Option)</b>
56	Sponge Sheet	685717-2	-----	
61	Reversing Switch	651461-3 (No Longer Available)	651478-6	
	Serial No.	N/A	N/A	N/A

### 2. Change on Gear Housing, Ring 36 Com., Pin etc..



Item No.	Description	Type 1	Type 2
8	Ring 36 Com.	155923-8	150764-7
12	Gear Housing	315996-5	316988-7
25	Pin	256173-9 (3.5)	256226-4 (4)
30	Sleeve	322072-8	323728-6
	Serial No.	~ 120614E	120615E ~

Above parts are completely interchangeable as a set.