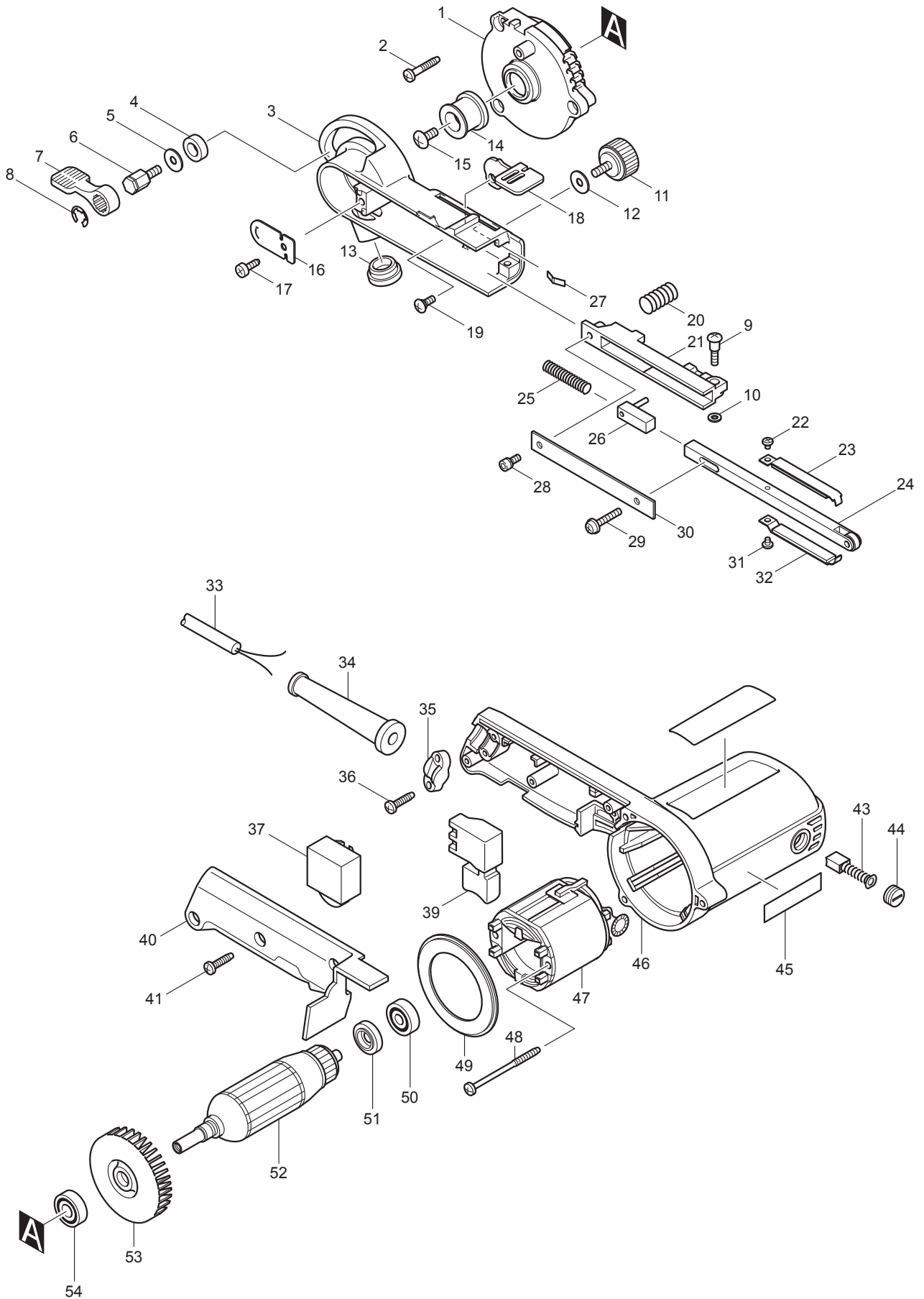




07 - 2009

9032

3/8" X 21" BELT SANDER



Item No	Type	Ref	Part No	Description	Qty	Unit
001			317523-4	BRACKET	1	PC.
002			265999-8	TAPPING SCREW 4X25	3	PC.
003			153308-2	PULLEY COVER COMPLETE	1	PC.
004			257249-5	RING 9	1	PC.
005			253807-5	FLAT WASHER 5	1	PC.
006			265494-8	HEX. BOLT M5X13	1	PC.
007			272229-0	LEVER 40	1	PC.
008			961014-3	STOP RING E-8	1	PC.
009			265090-2	+ PAN HEAD SCREW M4X20	1	PC.
010			941052-1	FLAT WASHER 4	1	PC.
011			265751-4	THUMB SCREW M5X13	1	PC.
012			253807-5	FLAT WASHER 5	1	PC.
013			421198-4	CAP	1	PC.
014			317522-6	DRIVING ROLLER	1	PC.
015			265092-8	TRUSS HEAD SCREW M5X12	1	PC.
016			345196-3	SAFETY COVER	1	PC.
017			266026-4	TAPPING SCREW BIND CT 4X12	1	PC.
018			345197-1	CAM LEVER	1	PC.
019			265028-7	+ PAN HEAD SCREW M4X11	1	PC.
020			233333-0	COMPRESSION SPRING 10	1	PC.
021			317525-0	ARM HOLDER	1	PC.
022			265040-7	+ PAN HEAD SCREW M3X4	1	PC.
023			153314-7	SHOE 9 COMPLETE	1	PC.
024			153310-5	ARM 9 COMPLETE	1	PC.
025			233332-2	COMPRESSION SPRING 6	1	PC.
026			153312-1	ARM TENSIONER COMPLETE	1	PC.
027			232185-6	LEAF SPRING	1	PC.
028			922111-0	HEX. SOCKET HEAD BOLT M4X10	1	PC.
029			911138-5	PAN HEAD SCREW M4X20	1	PC.
030			345195-5	ARM COVER	1	PC.
031			265040-7	+ PAN HEAD SCREW M3X4	1	PC.
032			153314-7	SHOE 9 COMPLETE	1	PC.
033			664064-4	CORD W/PLUG 2P-18-2.5M, SJ	1	PC.
034			682502-4	CORD GUARD 8-85	1	PC.
035			687063-9	STRAIN RELIEF	1	PC.
036			265995-6	TAPPING SCREW 4X18	2	PC.
037	2		631676-8	CONTROLLER	1	PC.
039			651263-7	SWITCH SGEL206C	1	PC.
040			415635-8	HANDLE COVER	1	PC.
041			265995-6	TAPPING SCREW 4X18	3	PC.
042			853483-1	NAME PLATE 9032	1	PC.
043	2		195008-8	CARBON BRUSH CB-408 2PC/SET (W/ ORIGIN)	1	SET
044			643550-8	BRUSH HOLDER CAP 5-8	2	PC.
045			819063-3	MAKITA LABEL	1	PC.
046			159747-4	MOTOR HOUSING COMPLETE	1	PC.
		INC.	643932-4	BRUSH HOLDER 6X9	2	PC.
047			593496-7	FIELD ASS'Y 115V	1	PC.
		INC.	654100-4	RING TERMINAL	2	PC.
		INC.	654501-6	CONNECTOR P-1.25	2	PC.
048			266052-3	TAPPING SCREW 4X60	2	PC.
049			415634-0	BAFFLE PLATE	1	PC.
050			210023-2	BALL BEARING 627DDW	1	PC.
051			681614-0	INSULATION WASHER	1	PC.

Item No	Type	Ref	Part No	Description	Qty	Unit
052			517386-0	ARMATURE ASS'Y 115V	1	PC.
		INC.		Item No. 50, 51, 53, 54	1	PC.
053			241884-9	FAN 60	1	PC.
054			210005-4	BALL BEARING 608DDW	1	PC.
100			652008-6	P.H.SCREW M3.5X7	4	PC.
101			654037-5	INSULATED EYE TERMINAL FV1.25-M3	4	PC.
102			654593-5	SPLICE	2	PC.
E01			892672-3	CAUTION LABEL	1	PC.

ACCESSORIES - See catalogue or visit www.makita.ca for more optional accessories -

A01			A-34469	3/8"X21" ABRASIVE BELT 80G, 10PCS/SET	2	PC.
A02			125158-5	ARM ASSY FOR 3/8"X21"	1	PC.
		INC.	153310-5	ARM 9 COM	1	PC.
		INC.	153314-7	SHOE 9 COM	2	PC.
		INC.	265040-7	P.H.SCREW M3X4	2	PC.
A03			125157-7	ARM ASSY FOR 1/4"X21"	1	PC.
		INC.	153309-0	ARM 6 COM	1	PC.
		INC.	153313-9	SHOE 6 COM	2	PC.
		INC.	265040-7	P.H.SCREW M3X4	2	PC.
A04			125159-3	ARM ASSY FOR 1/2"X21"	1	PC.
		INC.	153311-3	ARM 13 COM	1	PC.
		INC.	153315-5	SHOE 13 COM	2	PC.
		INC.	265040-7	P.H.SCREW M3X4	2	PC.
A05			193618-5	STAND	1	PC.
A06			P-80006	DUST NOZZLE ASSY	1	PC.