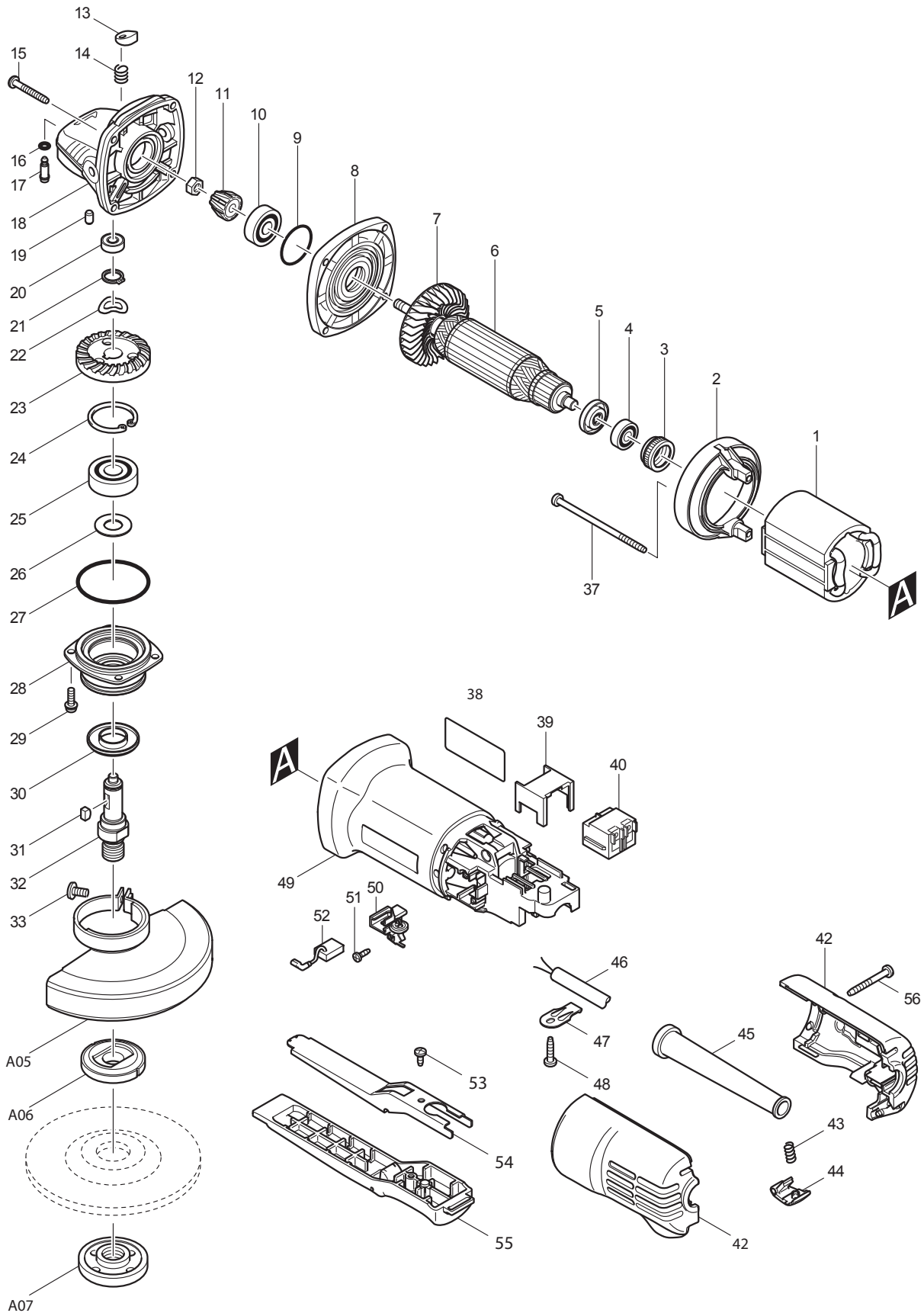




02 - 2010
9557PB
9557PBK
4-1/2" DISC GRINDER



Item No	Type	Ref	Part No	Description	Qty	Unit
001			621706-3	FIELD 115V	1	PC.
002	2		457791-8	BAFFLE PLATE	1	PC.
003			421868-5	LABYRINTH RUBBER RING 19	1	PC.
004			210034-7	BALL BEARING 607LLB	1	PC.
005			681636-0	INSULATION WASHER	1	PC.
006			515611-3	ARMATURE ASS'Y 115V	1	PC.
		INC.		Item No. 4,5,7		
007			240076-7	FAN 56	1	PC.
008			317821-6	GEAR HOUSING COVER	1	PC.
009			213445-5	O-RING 26	1	PC.
010			210042-8	BALL BEARING 629LLB	1	PC.
011	1		227464-5	SPIRAL BEVEL GEAR 10 (SINTERING)	1	PC.
	2		227541-3	SPIRAL BEVEL GEAR 10 (MACHINED)	1	PC.
012			252186-8	HEX. NUT M6	1	PC.
013			417771-6	PIN CAP	1	PC.
014			233376-2	COMPRESSION SPRING 8	1	PC.
015			266361-0	TAPPING SCREW 4X30	4	PC.
016			213960-9	O RING 5	1	PC.
017			256486-8	SHOULDER PIN 4	1	PC.
018	1		317814-3	GEAR HOUSING	1	PC.
	2		318051-2	GEAR HOUSING	1	PC.
019			263002-9	RUBBER PIN 4	1	PC.
020			210033-9	BALL BEARING 696ZZ	1	PC.
021			961052-5	RETAINING RING S-12	1	PC.
022			267794-2	WAVE WASHER 12	1	PC.
023	1		227505-7	SPIRAL BEVEL GEAR 37 (SINTERING)	1	PC.
	2		227542-1	SPIRAL BEVEL GEAR 37 (MACHINED)	1	PC.
024			962151-6	RETAINING RING R-32	1	PC.
025			211129-9	BALL BEARING 6201DDW	1	PC.
026			267238-2	FLAT WASHER 12	1	PC.
027			213622-9	O RING 45	1	PC.
028	1		317819-3	* BEARING BOX	1	PC.
	2		318331-6	* BEARING BOX	1	PC.
029			265099-4	PAN HEAD SCREW M4X14	4	PC.
030			345464-4	LABYRINTH RING	1	PC.
031			254011-9	WOODRUFF KEY 4	1	PC.
032			324474-4	SPINDLE	1	PC.
033	1		265103-9	* PAN HEAD SCREW M5X14	1	PC.
	2		251391-4	* PAN HEAD SCREW M5X16	1	PC.
	3		265180-1	* PAN HEAD SCREW M5X16	1	PC.
037			266345-8	TAPPING SCREW 4X80	2	PC.
038			861315-8	NAME PLATE F/ 9557PB	1	PC.
039			418729-8	SPACER	1	PC.
040	2		650579-7	SWITCH 1246.3223, SINGLE, BROWN	1	PC.
042	1		183943-2	REAR COVER SET	1	SET
	2		183U00-2	REAR COVER SET	1	SET
043			231252-4	COMPRESSION SPRING 6	1	PC.
044			418842-2	LOCK ON BUTTON	1	PC.
045			682559-5	CORD GUARD 8	1	PC.
046			664891-9	CORD WITH PLUG 2P-18-2.5M SJ	1	PC.
047			687169-3	STRAIN RELIEF	1	PC.
048			266326-2	TAPPING SCREW 4X18	1	PC.

Item No	Type	Ref	Part No	Description	Qty	Unit
049			418838-3	MOTOR HOUSING	1	PC.
050			643760-7	BRUSH HOLDER	2	PC.
051			266007-8	TAPPING SCREW BIND PT 3X10	4	PC.
052	2		195001-2	CARBON BRUSH CB-325 2PC/SET (W/ ORIGIN)	1	SET
053	2		266492-5	TAPPING SCREW 3X8	1	PC.
054			345504-8	PLATE	1	PC.
055			154583-3	SWITCH LEVER A COMPLETE	1	PC.
056			266351-3	TAPPING SCREW 4X35	2	PC.
058			892373-3	CLEAR LABEL	1	PC.
100			652044-2	(+) BIND SCREW M3.5X5.0 (FOR SWITCH)	2	PC.
101			654573-1	SPLICE (FOR CORD/SWITCH)	2	PC.

ACCESSORIES

- See Catalogue or visit www.makita.ca for more optional accessories -

A01			153489-2	GRIP 36 COMPLETE (Resin Grip)	1	PC.
	Opt.		194514-0	VIBRATION PROOF GRIP F/4" - 6", PKG	1	PC.
A02			782424-9	LOCK NUT WRENCH 28 (OLD# 782422-3)	1	PC.
A03			824736-5	PLASTIC CARRYING CASE (9557PBK)	1	PC.
		INC.	182935-8	SLIDE LATCH (R.L) SET	1	SET
	Opt.		182875-0	STEEL CARRYING CASE	1	PC.
A04	2		D-20781	4 1/2" DEPRESSED CENTER WHEEL A24R	1	PC.
	3		A-95956-25	4-1/2" D.C.G.W WA36N 25/PK	1	SET
A05	2		125886-2	* WHEEL COVER 115A ASS'Y (F/D.C.W)	1	PC.
		INC.		* Item No. 33		
	3		123098-1	* WHEEL COVER 115AK ASS'Y (F/D.C.W)	1	PC.
		INC.	213009-5	* O RING 4 (Added)	1	PC.
		INC.		* Item No. 33		
A06			224399-1	INNER FLANGE 45	1	PC.
A07			224568-4	LOCK NUT 5/8-45	1	PC.
A08			743036-3	RUBBER PAD F/4-1/2" GRINDER	1	PC.
A09			193048-0	SANDING LOCK NUT 5/8 - 48	1	PC.
A11	1		122642-1	* CUT-OFF WHEEL GUARD F/4-1/2"	1	PC.
	2		122910-2	* CUT-OFF WHEEL GUARD F/4-1/2"	1	PC.

SERVICE CHANGES

1. Changes on Wheel Cover Assembly etc.

(TI#A4621)

(TI#B2426)

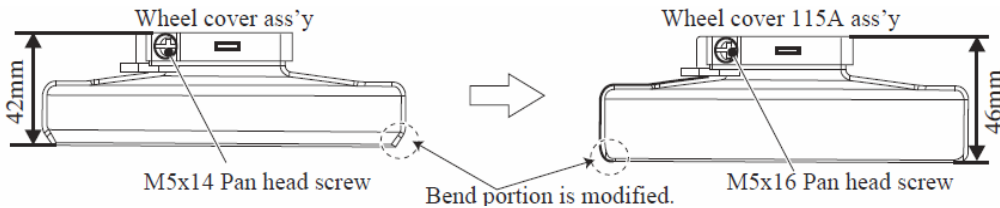
Item No	Description	Type 1	Type 2	Type 3
028	Bearing		317819-3	318331-6
033	Pan Head Screw	265103-9	251391-4	265180-1
A05	Wheel Cover Assy	125267-0	125886-2	123098-1
INC.	O Ring 4			213009-5
A10 opt	Cut-Off Wheel Guard F/4-1/2"		122642-1	

Type 2 > Type 3: Above all parts are completely interchangeable as a set
Item no. 33 is a component of A05

Wheel Cover Ass'Y

Type 1

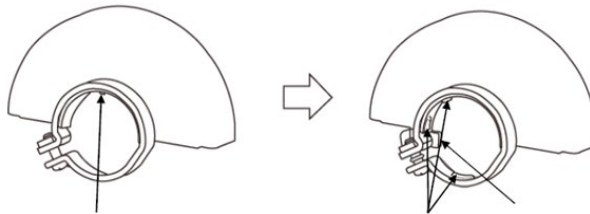
Type 2



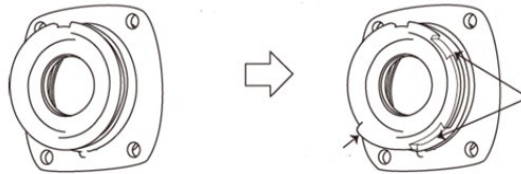
Type 1 & 2

Type 3

Wheel Cover



Bearing Box



SERVICE CHANGES

1. Changes on Wheel Cover Assembly

Item No	Description	Type 1 (SINTERING)	Type 2 (MACHINED)
011	Spiral Bevel Gear 10	227464-5	227541-3
023	Spiral Bevel Gear 37	227505-7	227542-1

Above parts are interchangeable as a set