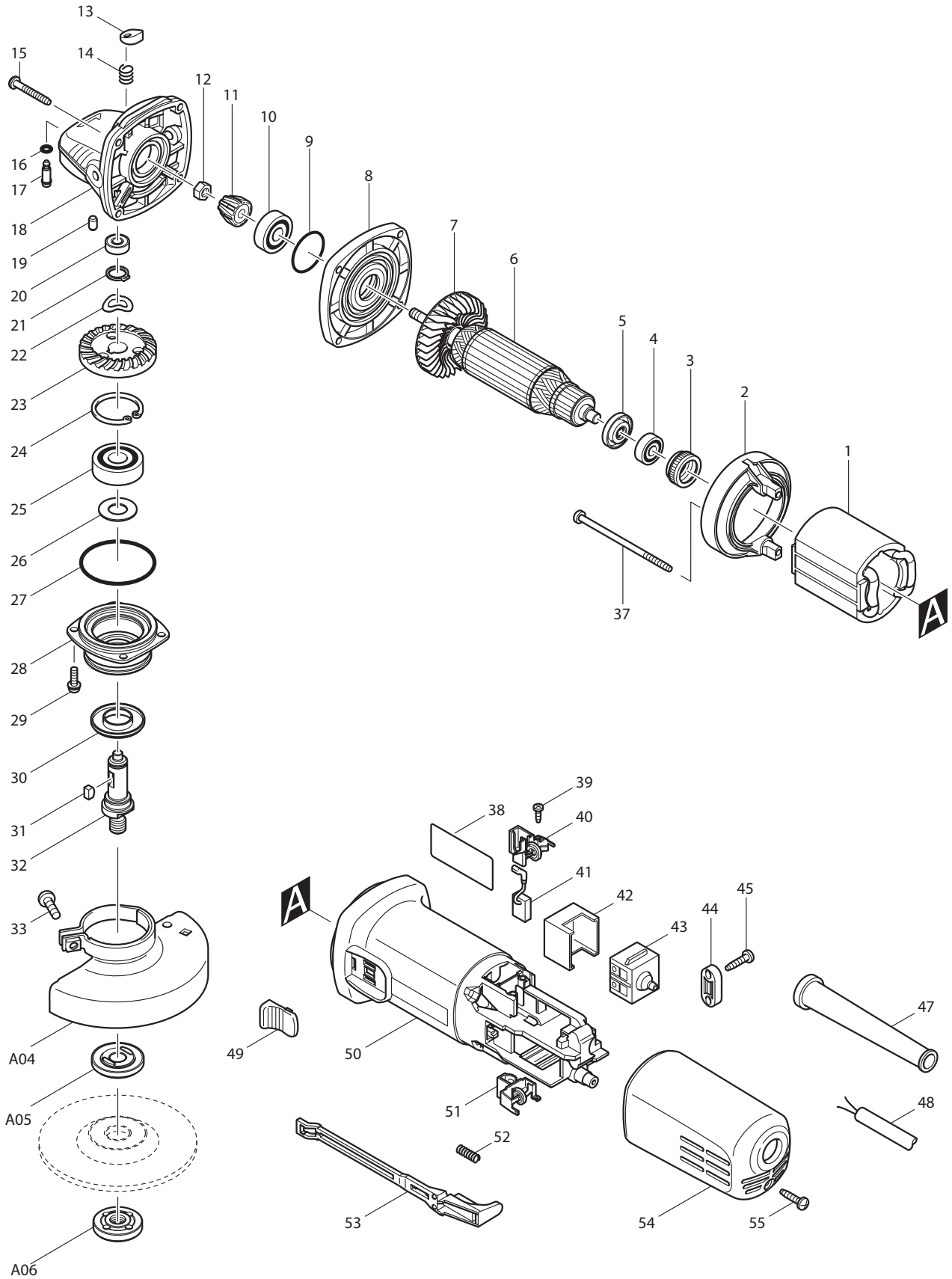




02 - 2010  
MODEL 9558NB  
5" DISC GRINDER AC/DC



Item	Nc	Type	Ref	Part No	Description	Qty	Unit
001				621706-3	FIELD 115V	1	PC.
002		2		457791-8	BAFFLE PLATE	1	PC.
003				421868-5	LABYRINTH RUBBER RING 19	1	PC.
004				210034-7	BALL BEARING 607LLB	1	PC.
005				681636-0	INSULATION WASHER	1	PC.
006				515611-3	ARMATURE ASS'Y 115V	1	PC.
			INC.		Item No. 4,5,7		
007				240076-7	FAN 56	1	PC.
008				317821-6	GEAR HOUSING COVER	1	PC.
009				213445-5	O-RING 26	1	PC.
010				210042-8	BALL BEARING 629LLB	1	PC.
011		1		227464-5	* SPIRAL BEVEL GEAR 10 (SINTERING)	1	PC.
		2		227541-3	* SPIRAL BEVEL GEAR 10 (MACHINED)	1	PC.
012				252186-8	HEX. NUT M6	1	PC.
013				417771-6	PIN CAP	1	PC.
014				233376-2	COMPRESSION SPRING 8	1	PC.
015				266361-0	TAPPING SCREW 4X30	4	PC.
016				213960-9	O RING 5	1	PC.
017				256486-8	SHOULDER PIN 4	1	PC.
018		1		317814-3	GEAR HOUSING	1	PC.
		2		318051-2	GEAR HOUSING	1	PC.
019				263002-9	RUBBER PIN 4	1	PC.
020				210033-9	BALL BEARING 696ZZ	1	PC.
021				961052-5	RETAINING RING S-12	1	PC.
022				267794-2	WAVE WASHER 12	1	PC.
023		1		227505-7	* SPIRAL BEVEL GEAR 37 (SINTERING)	1	PC.
		2		227542-1	* SPIRAL BEVEL GEAR 37 (MACHINED)	1	PC.
024				962151-6	RETAINING RING R-32	1	PC.
025				211129-9	BALL BEARING 6201DDW	1	PC.
026				267238-2	FLAT WASHER 12	1	PC.
027				213622-9	O RING 45	1	PC.
028		1		317819-3	* BEARING BOX	1	PC.
		2		318331-6	* BEARING BOX	1	PC.
029				265099-4	PAN HEAD SCREW M4X14	4	PC.
030				345464-4	LABYRINTH RING	1	PC.
031				254011-9	WOODRUFF KEY 4	1	PC.
032				324474-4	SPINDLE	1	PC.
033		1		265103-9	PAN HEAD SCREW M5X14	1	PC.
		2		251391-4	* PAN HEAD SCREW M5X16	1	PC.
		3		265180-1	* PAN HEAD SCREW M5X16	1	PC.
037				266345-8	TAPPING SCREW 4X80	2	PC.
038				861258-4	NAME PLATE F/9558NB	1	PC.
039				266007-8	TAPPING SCREW BIND PT 3X10	4	PC.
040				643760-7	BRUSH HOLDER	1	PC.
041		2		195001-2	CARBON BRUSH CB-325 2PC/SET (W/ ORIGIN)	1	SET
042				418729-8	SPACER	1	PC.
043		2		650579-7	SWITCH 1246.3223, SINGLE, BROWN	1	PC.
044				687123-7	STRAIN RELIEF	1	PC.
045				266326-2	TAPPING SCREW 4X18	2	PC.
047				682559-5	CORD GUARD 8	1	PC.
048				664895-1	CORD W/PLUG 2P-18-4.0M, SJ	1	PC.
049				419566-3	SWITCH KNOB	1	PC.

Item Nc	Type	Ref	Part No	Description	Qty	Unit
050		2	143990-5	MOTOR HOUSING COMPLETE	1	PC.
051			643760-7	BRUSH HOLDER	1	PC.
052			233121-5	COMPRESSION SPRING 4	1	PC.
053			418727-2	SWITCH LEVER	1	PC.
054	1		418726-4	REAR COVER	1	PC.
	2		413A32-8	REAR COVER	1	PC.
055			266326-2	TAPPING SCREW 4X18	1	PC.
056			892295-7	CLEAR LABEL	1	PC.

**ACCESSORIES** - See catalogue or visit [www.makita.ca](http://www.makita.ca) for optional accessories -

A01			153489-2	GRIP 36 COMPLETE (Resin Grip)	1	PC.
	Opt.		194514-0	VIBRATION PROOF GRIP F/4" - 6", PKG	1	PC.
A02			782424-9	LOCK NUT WRENCH 28 (OLD# 782422-3)	1	PC.
A03	1		741407-B	5" DEPRESSED CENTER WHEEL A24P	1	PC.
	2		D-20797	5" ABRASIVE DEPRESSED CENTRE WHEEL A24R	1	PC.
	3		A-95962-25	5" D.C.G.W WA36N 25/PK	1	SET
A04	3		123734-9	* WHEEL COVER 125AK ASS'Y	1	PC.
		INC.	213009-5	* O RING 4	1	PC.
		INC.		* Item No. 33		
A05			224399-1	INNER FLANGE 45	1	PC.
A06			224568-4	LOCK NUT 5/8-45	1	PC.
A07			824736-5	PLASTIC CARRYING CASE	1	PC.

**SERVICE CHANGES**

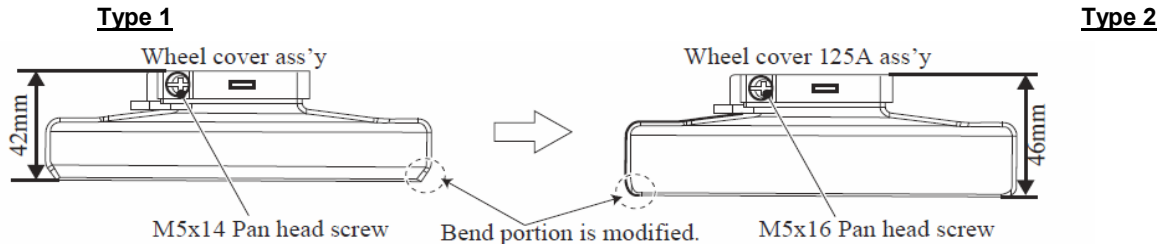
**1. Changes on Wheel Cover Assembly & Bearing Box**

(TI#A4621)

(TI#B2119)

Item No.	Description	Type 1	Type 2	Type 3
28	Bearing Box	317819-3		318331-6
33	Pan Head Screw	265103-9	251391-4	265180-1
A04	Wheel Cover Assy	125274-3	125891-9	123734-9
A04 Inc.	O RING 4	-----		213009-5
A10 Opt.	Cut-Off Wheel Guard F/5"	122641-3		122911-0

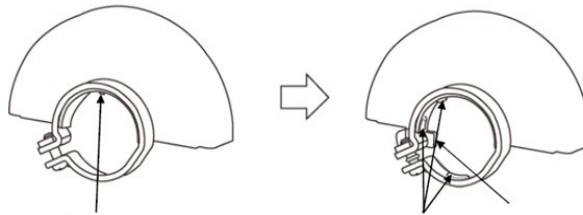
Above parts are completely interchangeable as a set.



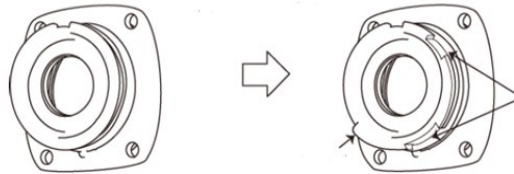
**Type 1 & 2**

**Type 3**

Wheel Cover



Bearing Box



**SERVICE CHANGES**

**1. Changes on Wheel Cover Assembly**

Item No.	Description	Type 1 (SINTERING)	Type 2 (MACHINED)
11	Spiral Bevel Gear 10	227464-5	227541-3
23	Spiral Bevel Gear 37	227505-7	227542-1

Above parts are interchangeable as a set