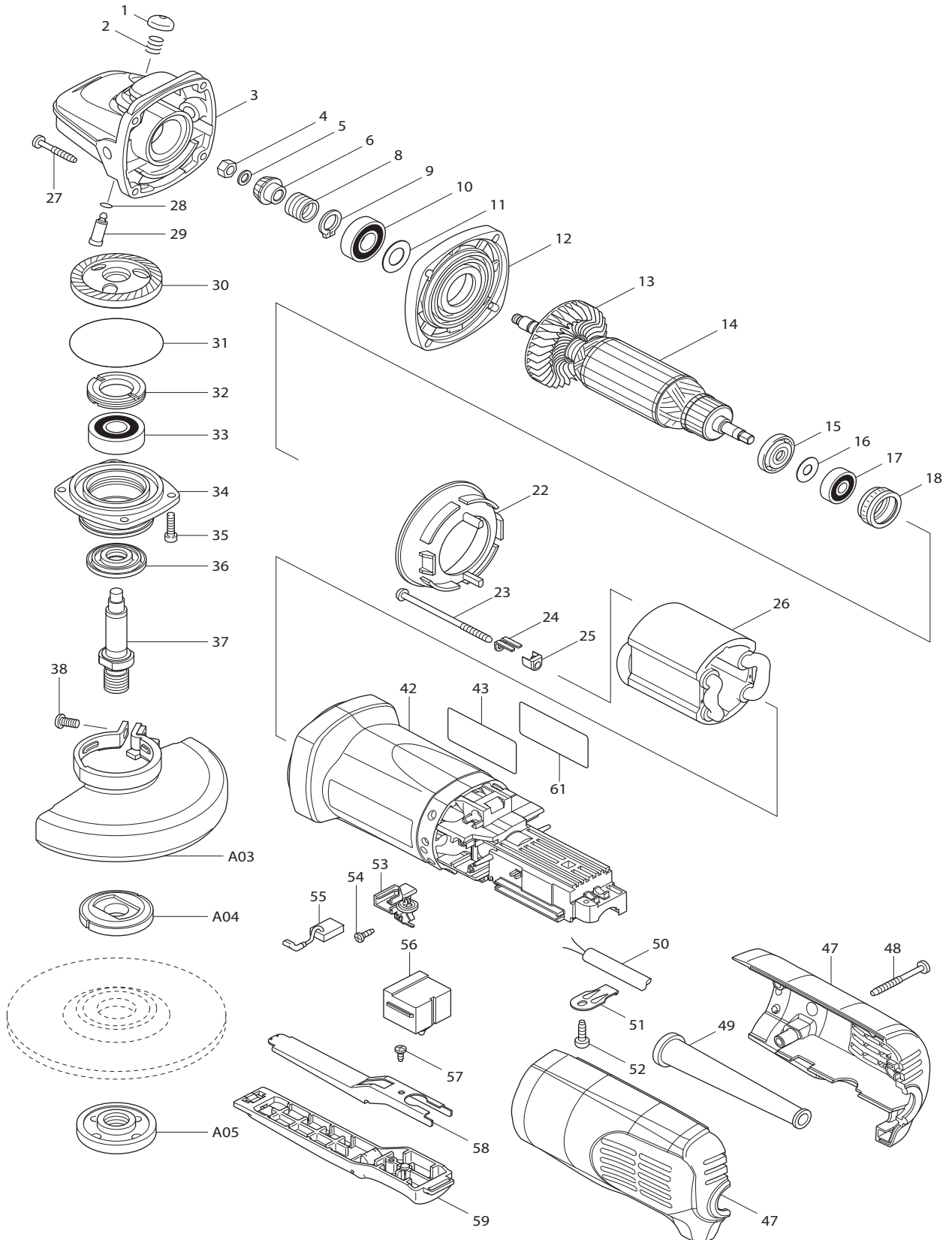




11 - 2012
9564P
4-1/2" GRINDER, PADDLE



| Item No | Type | Ref | Part No | Description | Qty | Unit |
|---------|------|------|----------|-----------------------------|-----|------|
| 001 | | | 418067-8 | PIN CAP | 1 | PC. |
| 002 | | | 233072-2 | COMPRESSION SPRING 8 | 1 | PC. |
| 003 | | | 153488-4 | GEAR HOUSING COMPLETE | 1 | PC. |
| | | INC. | 211021-9 | BALL BEARING 607LLB | 1 | PC. |
| 004 | | | 931303-0 | HEX. NUT M6 | 1 | PC. |
| 005 | | | 253077-6 | FLAT WASHER 6 | 1 | PC. |
| 006 | | | 227513-8 | SPIRAL BEVEL GEAR 11 | 1 | PC. |
| 008 | | | 233901-9 | LOCK SPRING 12 | 1 | PC. |
| 009 | | | 961052-5 | RETAINING RING S-12 | 1 | PC. |
| 010 | | | 211142-7 | BALL BEARING 6001LLB | 1 | PC. |
| 011 | | | 253084-9 | FLAT WASHER 12 | 1 | PC. |
| 012 | | | 317359-1 | GEAR HOUSING COVER | 1 | PC. |
| 013 | | | 240033-5 | FAN 57 | 1 | PC. |
| | | INC. | | ITEM. 13,15-17 | | |
| 014 | | | 515231-3 | ARMATURE ASS'Y 115V | 1 | PC. |
| 015 | | | 681656-4 | INSULATION WASHER | 1 | PC. |
| 016 | | | 253823-7 | FLAT WASHER 7 | 1 | PC. |
| 017 | | | 210027-4 | BALL BEARING 627DDW | 1 | PC. |
| 018 | | | 421738-8 | LABYRINTH RUBBER RING 22 | 1 | PC. |
| 022 | | | 413076-2 | BAFFLE PLATE | 1 | PC. |
| 023 | | | 266258-3 | TAPPING SCREW 4X70 | 2 | PC. |
| 024 | | | 344871-8 | RETAINER | 2 | PC. |
| 025 | | | 417237-6 | INSULATION COVER | 2 | PC. |
| 026 | | | 621761-5 | FIELD 115V | 1 | PC. |
| 027 | | | 266257-5 | TAPPING SCREW 4X28 | 4 | PC. |
| 028 | | | 213048-5 | O RING 6 | 1 | PC. |
| 029 | | | 256459-1 | PIN | 1 | PC. |
| 030 | | | 227514-6 | SPIRAL BEVEL GEAR 38 | 1 | PC. |
| 031 | | | 213673-2 | O RING 52 | 1 | PC. |
| 032 | | | 285841-7 | BEARING RETAINER | 1 | PC. |
| 033 | | | 211129-9 | BALL BEARING 6201DDW | 1 | PC. |
| 034 | 1 | | 318302-3 | * BEARING BOX | 1 | PC. |
| | 2 | | 318334-0 | * BEARING BOX | 1 | PC. |
| 035 | | | 265490-6 | HEX. SOCKET HEAD BOLT M4X16 | 4 | PC. |
| 036 | | | 415300-9 | LABYRINTH RING | 1 | PC. |
| 037 | | | 324038-4 | SPINDLE | 1 | PC. |
| 038 | 1 | | 251391-4 | * PAN HEAD SCREW M5X16 | 1 | PC. |
| | 2 | | 265180-1 | * PAN HEAD SCREW M5X16 | 1 | PC. |
| 042 | 1 | | 142005-5 | MOTOR HOUSING COMPLETE | 1 | PC. |
| | | INC. | 801C37-6 | CAUTION LABEL | 1 | PC. |
| | | INC. | 810341-4 | CAUTION LABEL | 1 | PC. |
| | 2 | | 144164-1 | MOTOR HOUSING COMPLETE | 1 | PC. |
| | | INC. | 801C37-6 | CAUTION LABEL | 1 | PC. |
| | | INC. | 810341-4 | CAUTION LABEL | 1 | PC. |
| 043 | | | 814E17-5 | 9564P NAME PLATE | 1 | PC. |
| 047 | | | 188364-3 | REAR COVER SET | 1 | SET |
| 048 | | | 266048-4 | TAPPING SCREW 4X40 | 3 | PC. |
| 049 | | | 682566-8 | CORD GUARD 10 | 1 | PC. |
| 050 | | | 664265-4 | CORD W/PLUG 2P-16-2.5M, SJ | 1 | PC. |
| 051 | | | 687169-3 | STRAIN RELIEF | 1 | PC. |
| 052 | | | 266192-7 | TAPPING SCREW 4X14 | 1 | PC. |
| 053 | | | 643760-7 | BRUSH HOLDER | 2 | PC. |
| 054 | | | 266256-7 | TAPPING SCREW PT3X10 | 4 | PC. |
| 055 | | | 195001-2 | CARBON BRUSH SET CB-325 | 1 | SET |
| 056 | | | 650579-7 | SWITCH 1246.3223 | 1 | PC. |
| 057 | | | 265954-0 | TAPPING SCREW BIND PT3X8 | 1 | PC. |

| Item No | Type | Ref | Part No | Description | Qty | Unit |
|---------------------------|------|------|---|---|-----|------|
| 058 | | | 345504-8 | PLATE | 1 | PC. |
| 059 | | | 154584-1 | SWITCH LEVER B COMPLETE | 1 | PC. |
| 061 | | | 819356-8 | CLEAR LABEL | 1 | PC. |
| C01A | | | 848812-1 | CARTON FOR 9564P | 1 | PC. |
| D01 | | | 652044-2 | +BIND SCREW M3.5X5.0 | 2 | PC. |
| D03 | | | 654117-7 | INSULATING TERMINAL | 2 | PC. |
| D04 | | | 654285-6 | RECEPTACLE | 2 | PC. |
| <u>ACCESSORIES</u> | | | - See Catalogue or visit www.makita.ca for more accessories - | | | |
| A01 | Opt. | | 153489-2 | GRIP 36 COMPLETE (Resin Grip) | 1 | PC. |
| | | | 194514-0 | VIBRATION PROOF GRIP F/4" - 6", PKG | 1 | PC. |
| A02 | | | 782424-9 | LOCK NUT WRENCH 28 | 1 | PC. |
| A03 | 1 | | 135107-4 | * TOOLLESS WHEEL COVER 115A ASS'Y F/ 4-1/2" | 1 | PC. |
| | | INC. | | * ITEM. 38 | | |
| | 2 | | 135635-9 | * 4-1/2" TOOLLESS WHEEL COVER ASS'Y (H:46mm) | 1 | PC. |
| | | INC. | | * ITEM. 38 | | |
| | 3 | | 123144-0 | * 4-1/2" TOOLLESS WHEEL COVER ASS'Y (H:46mm) | 1 | PC. |
| | | INC. | 213009-5 | * O RING 4 (Added) | 1 | PC. |
| | | INC. | | * ITEM. 38 | | |
| A04 | | | 224399-1 | INNER FLANGE 45 | 1 | PC. |
| A05 | | | 224568-4 | LOCK NUT 5/8-45 | 1 | PC. |
| A06 | | | 743036-3 | RUBBER PAD 100 | 1 | PC. |
| A07 | 1 | | 193794-5 | * DUST COLLECTION WHEEL COVER 4-1/2", 5" | 1 | PC. |
| | 2 | | 196845-3 | * DUST COLLECTION COVER 5" DMND, TUCKPOINT BLADE | 1 | PC. |
| A09 | 2 | | P-80008 | ELBOW JOINT 32 | 1 | PC. |
| A10 | 1 | | 195236-5 | * DUST COLLECTION COVER 4-1/2-5" - See Parts Breakdown #195236-5 | 1 | PC. |
| | 2 | | 196575-6 | * DUST COLLECTION COVER 4-1/2-5" - See Parts Breakdown #196575-6 | 1 | PC. |
| A11 | | | 193048-0 | SANDING LOCK NUT 14-48 | 1 | PC. |
| A12 | | | 417322-5 | HEAD COVER | 1 | PC. |
| A13 | 1 | | 122642-1 | * CUT-OFF WHEEL GUARD F/4-1/2" | 1 | PC. |
| | 2 | | 122910-2 | * CUT-OFF WHEEL GUARD F/4-1/2" | 1 | PC. |
| A15 | | | 195446-4 | DUST COVER SCREEN ATTACHMENT SET | 1 | PC. |

SERVICE CHANGES

1. Changes on Wheel Cover Assembly

(TI#A6543) (TI#B3761)

| Item No. | Description | Type 1 | Type 2 | Type 3 |
|----------|--|----------|----------|----------|
| 34 | Bearing Box | | 318302-3 | 318334-0 |
| 38 | Pan Head Screw M5X16 | | 251391-4 | 265180-1 |
| A03 | Toolless Wheel Cover Ass'y > Toolless Wheel Cover 115A Ass'y | 135107-4 | 135635-9 | 123144-0 |
| A03 Inc. | O Ring 4 | | ----- | 213009-5 |
| A07 Opt. | Dust Collection Wheel Cover > Dusct Collection Cover F/Diamond & Tuckpoint Blade | | 193794-5 | 196845-3 |
| A10 Opt. | Dust Cover Collector Set | | 195236-5 | 196575-6 |
| A13 Opt. | Cut-Off Wheel Guard F/4-1/2" | | 122642-1 | 122910-2 |

Above parts are completely interchangeable as a set.

