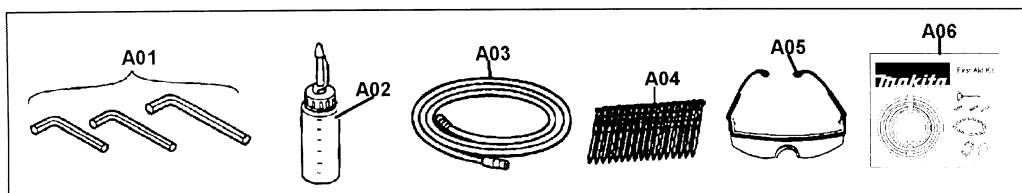
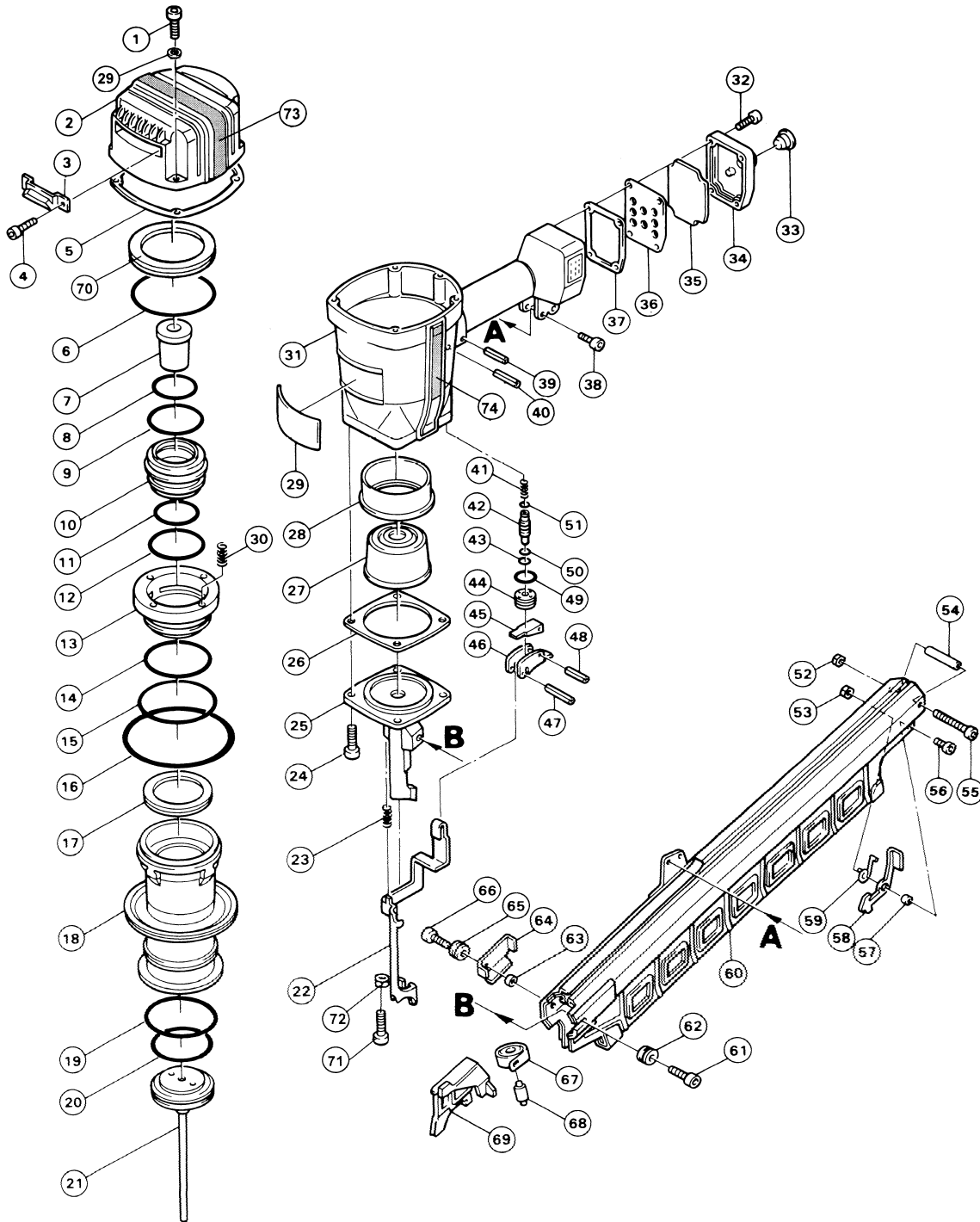


PNEUMATIC FRAMING NAILER

Model AN8300(MJ)

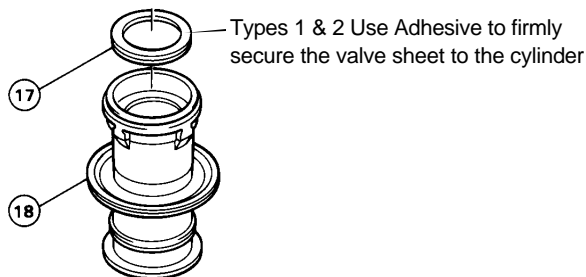


Item No.	Part No.	No. Used	Description	Item No.	Part No.	No. Used	Description
1	922342-1	4	Hex Socket Head Bolt M6x25	42	322358-0	1	Trigger Valve Stem
2	150202-9	1	Top Cap Com.	43	213005-3	1	O Ring 5
3	343737-9	1	Exhaust Cover	44	322357-2	1	Trigger Valve Case
4	922207-7	2	Hex Socket Head Bolt M5x10	45	341734-9	1	Idler
5	442102-0	1	Top Cap Gasket	46	343736-1	1	Trigger
6	213758-4	1	O Ring 74	47	951072-7	1	Spring Pin 3-24
7	421371-6	1	Cushion R	48	951063-8	1	Spring Pin 3-16
8	213558-2	1	O Ring 42	49	213218-6	1	O Ring 16
9	213617-2	1	O Ring 46.5x2.5 (Old 213608-3 - O Ring 47.2x2.4)	50	213009-5	1	O Ring 4
10	415425-9	1	Main Valve (Old 414641-0)	51	213023-1	1	O Ring 4
11	213563-9	1	O Ring 42	52	931202-6	1	Hex Nut M5
12	213617-2	1	O Ring 46.5x2.5 (Old 213608-3 - O Ring 47.2x2.4)	53	931202-6	1	Hex Nut M5
13	316266-5	1	Sub Valve	54	322361-1	1	Sleeve 5-36
14	213658-8	1	O Ring 56	55	265362-5	1	Hex Socket Head Bolt M5x45
15	213706-3	1	O Ring 67	56	265918-4	1	Hex Socket Head Bolt M5x12
16	213809-3	1	O Ring 87	57	322362-9	1	Sleeve 5-5
17	*	1	Valve Sheet	58	343734-5	1	Lock Lever
18	*	1	Cylinder	59	231596-2	1	Torsion Spring 8
	150552-2	1	Cylinder Com.(Old 150432-2)	60	150265-5	1	Magazine Com.
19	213664-3	1	O Ring 60	61	265962-1	1	Hex Socket Head Bolt M6x20
20	213605-9	1	O Ring 50	62	322487-9	1	Holder
21	150201-1	1	Driver Com.	63	257635-0	1	Sleeve 6
22	*	1	Contact Arm	64	343733-7	1	Contact Arm Guide
23	231489-3	1	Compression Spring 8	65	322487-9	1	Holder
24	265386-1	4	Hex Socket Head Bolt M8x25	66	265963-9	1	Hex Socket Head Bolt M6x28
25	*	1	Driver Guide	67	152389-3	1	Spiral Spring Com.
26	442101-2	1	Driver Guide Gasket	68	256428-2	1	Pin 5-8
27	421372-4	1	Cushion F	69	322356-4	1	Pusher
28	331359-7	1	Cushion Guide	70	421486-9	1	Urethane Washer 41(Add) *
29	253077-6	4	Flat Washer 6(Add) *	71	265021-1	1	Screw M8x50 (Add) *
30	231490-8	4	Compression Spring 5	72	931401-0	1	Hex Nut M8 (Add) *
31	159174-5	1	Housing Com.	73	421370-8	1	Cap Bumper
32	922242-5	4	Hex Socket Head Bolt M5x25	74	421394-4	1	Hsg Bumper (L)
33	286221-0	1	Cap 15	75	421369-3	1	Hsg Bumper (R)
34	316263-1	1	Inlet Cap	Accessories			
35	414640-2	1	Inlet Filter	A01	783202-0	1	Hex Wrench 4
36	343892-7	1	Filter Holder		783203-8	1	Hex Wrench 5
37	442100-4	1	Inlet Cap Gasket		783204-6	1	Hex Wrench 6
38	265908-7	2	Hex Socket Head Bolt M5x16	A02	181434-7	1	Oil Supply 30cc
39	258004-8	1	Spring Pin 2.5-16	A03	122311-4	1	Air Hose Assembly 8.5mm-20m
40	258010-3	1	Spring Pin 2.5-15	A04	----	1	Strip Nail(See Catalogue for Details)
41	231398-6	1	Compression Spring 4	A05	191686-A	1	Makita Safety Glasses
				A06	192182-3	1	AN8300 First Aid Kit

SERVICE CHANGES

* SEE SERVICE CHANGES

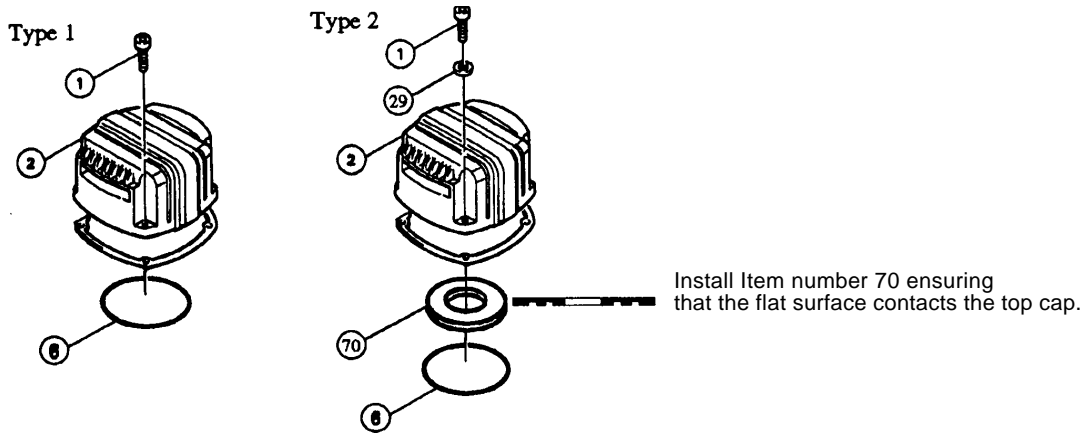
1. Change of Valve Sheet and Cylinder.



Item No.	Description	Type 1	Type 2	Type 3
17	Valve Sheet	423198-0 (No Longer Available)	421465-7 (No Longer Available)	These Items are no longer sold separately - Use Cylinder Com.
18	Cylinder	316262-3(No Longer Available)		
	Cylinder Com.	-----	150432-2 (Includes Items 17 & 18)	150552-2 (Includes Items 17 & 18)
	Serial No.	~ 11200	11201 ~ 14000	14001 ~

Above parts are completely interchangeable as a set.

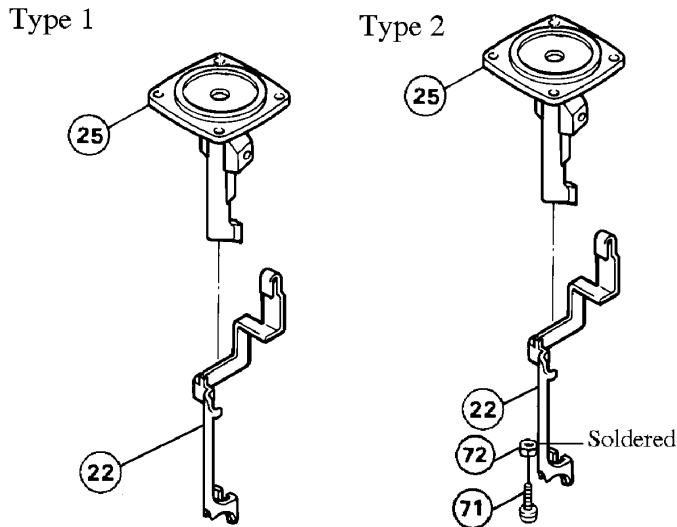
2. Addition of Washer & Urethane Washer.



Item No.	Description	Type 1	Type 2
29	Flat Washer 6	-----	253077-6 x 4 pcs (Addition)
70	Urethane Washer 41	-----	421486-9 (Addition)
	Serial No.	~ 11200	11201 ~

Above parts are completely interchangeable as a set.

3. Change on Driver Guide & Contact Arm.



Item No.	Description	Type 1	Type 2
22	Contact Arm	343735-3 (No Longer Available)	165067-6
25	Driver Guide	322355-6	311934-5
71	Screw M8x50	-----	265021-1 (Addition)
72	Hex Nut M8	-----	931401-0 (Addition)
	Serial No.	~ 11200	11201 ~

Above parts are completely interchangeable as a set.