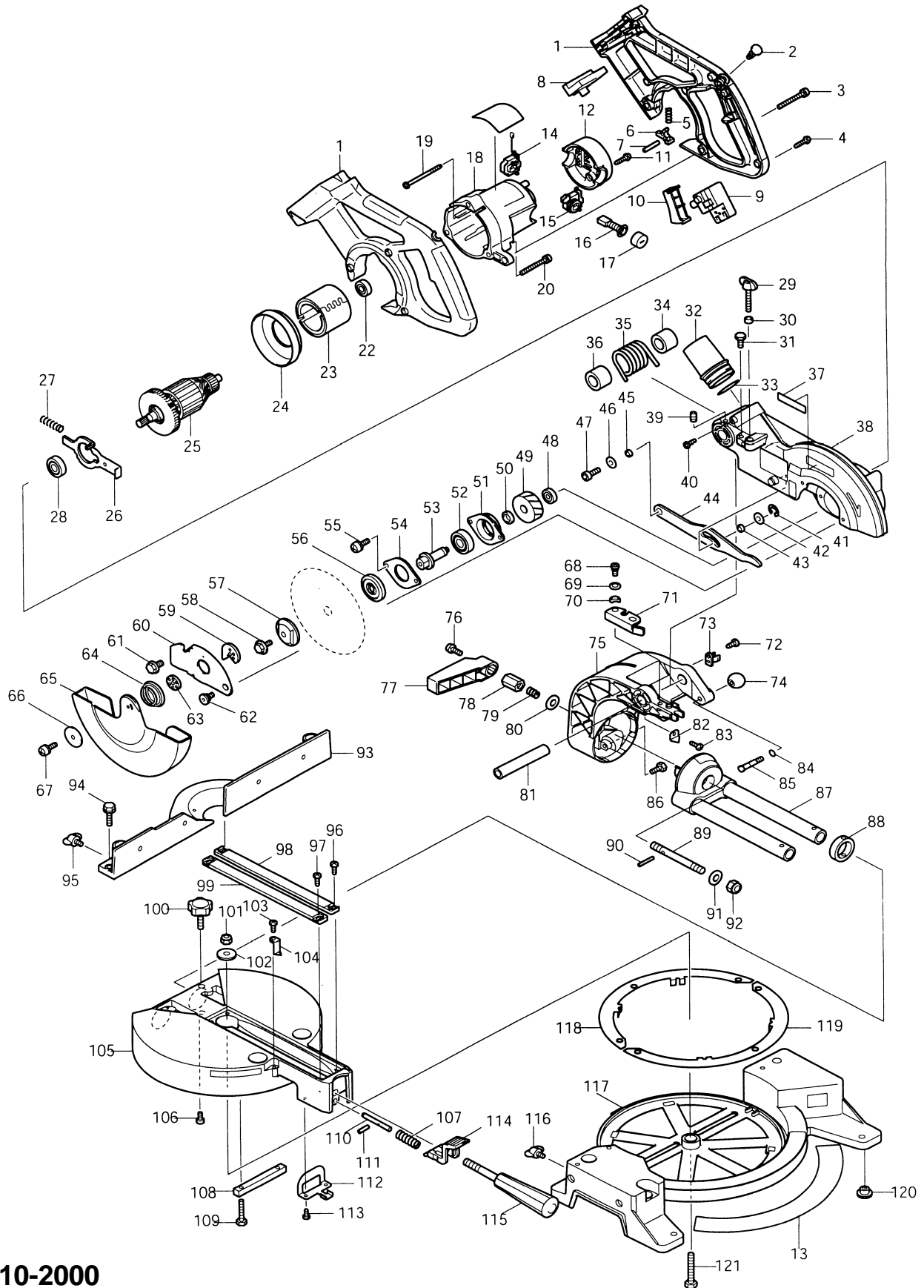
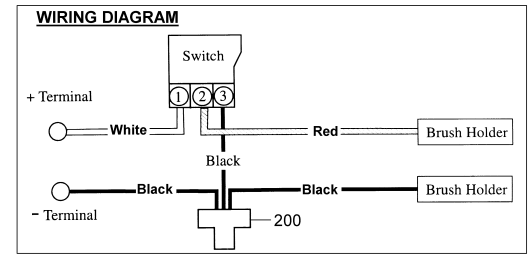
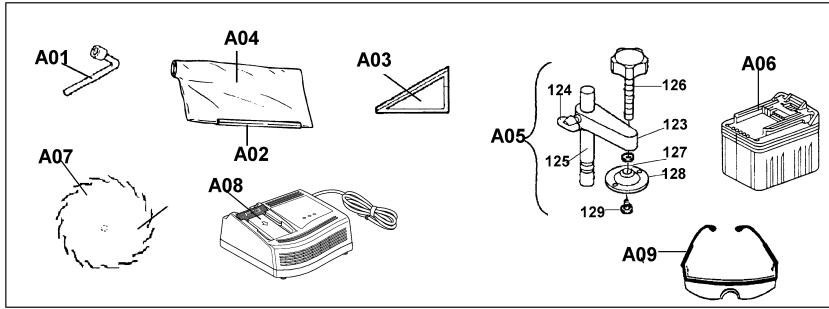




24V 7-1/2" SLIDE COMPOUND MITRE SAW

Model BLS712SFK





Item No.	Part No.	No. Used	Description	Item No.	Part No.	No. Used	Description
1	183261-8	1	Handle Set (Includes 810969-8 - Caution Label)	44	344645-7	1	Link Plate
2	411478-6	1	Switch Button	45	257163-5	1	Ring 6
3	911268-2	3	P.H. Screw M5X45	46	253804-1	1	Flat Washer 6
4	265995-6	5	Tapping Screw 4X18	47	922331-6	1	Hex. Socket Head Bolt M6x20
5	231026-3	1	Compression Spring 4	48	211021-9	1	Ball Bearing 607LLB
6	416533-9	1	Lock Off Lever	49	226512-7	1	Helical Gear 60
7	256098-7	1	Pin 5	50	257011-8	1	Ring 12
8	643955-2	1	Terminal	51	317193-9	1	Bearing Box
9	651988-3	1	Switch	52	211129-9	1	Ball Bearing 6201DDW
10	416534-7	1	Switch Lever	53	323798-5	1	Spindle
11	265995-6	2	Tapping Screw 4X18	54	285694-4	1	Bearing Retainer 58
12	416639-3	1	Rear Cover	55	911223-4	2	P.H. Screw M5x16
13	816339A9	1	Mitre Scale Plate	56	224151-7	1	Inner Flange 40
14	643946-3	1	Brush Holder	57	224275-9	1	Outer Flange 40
15	643945-5	1	Brush Holder	58	265461-3	1	Hex.Bolt M6x18
16	191976-3	2	Carbon Brush CB-432 (2pcs/Set)	59	344640-7	1	Center Plate
17	643941-3	2	Holder Cap	60	344641-5	1	Center Cover
18	416909-0	1	Motor Housing	61	265473-6	1	Hex.Bolt M6x14
19	266209-6	2	Tapping Screw 4x60	62	265985-9	1	Hex.Socket Head Bolt M6
20	911268-2	3	P.H. Screw M5x45	63	344639-2	1	Center Washer
22	210023-2	1	Ball Bearing 627DDW	64	231934-8	1	Spiral Spring 26
23	632828-4	1	Yoke Unit	65	416540-2	1	Safety Cover
24	416907-4	1	Baffle Plate	66	267136-0	1	Flat Washer 5
25	519059-1	1	Armature Assy 24V (Includes Item 22 & 28)	67	911228-4	1	P.H. Screw M5x18
26	344681-3	1	Shaft Lock	68	251267-5	1	+ P.H. Screw M6
27	233092-6	1	Compression Spring 5	69	253835-0	1	Flat Washer 8
28	211088-7	1	Ball Bearing 6000DDW	70	253948-7	1	Wave Washer 8
29	265710-8	1	Thumb Screw M6x33	71	344643-1	1	Stopper Arm
30	262001-8	1	Urethane Ring 5	72	266026-4	1	Tapping Screw Bind CT 4x12
31	265381-1	1	Hex. Bolt M6x16	73	416536-3	1	Wrench Holder
32	416133-5	1	Dust Nozzle	74	271601-3	1	Knob 20
33	213460-9	1	O Ring 35	75	151677-5	1	Arm Com. (Includes 816787-2 - Indication Label)
34	416535-5	1	Sleeve 17	76	911113-1	1	P.H. Screw M4x10
35	231638-2	1	Torsion Spring 28	77	416006-2	1	Lever 100
36	416535-5	1	Sleeve 17	78	252144-4	1	Hex. Nut M10-17
37	819063-3	1	Makita Label	79	231266-3	1	Compression Spring 5
38	151679-1	1	Blade Case Com. (Includes 263002-9 - Rubber Pin 4, 263005-3 - Rubber Pin 6, 817667-5 - Caution Label & 810970-3 - Caution Label)	80	253024-7	1	Flat Washer 10
39	251961-9	2	Hex. Socket Head Bolt M6x10	81	331350-5	1	Pipe 16-90
40	266061-2	1	Tapping Screw Bind CT 4x8	82	343678-9	1	Pointer
41	961018-5	1	Stop Ring E-5	83	266026-4	1	Tapping Screw Bind CT 4x12
42	253804-1	1	Flat Washer 6	84	213021-5	1	O Ring 5
43	257163-5	1	Ring 6	85	322338-6	1	Stopper Pin
				86	265381-1	2	Hex. Bolt M6x16
				87	151678-3	1	Arm Holder Com. (Includes 816338A1 - Bevel Scale Label 31.6°)
				88	257214-4	1	Ring 26

Item No.	Part No.	No. Used	Description	Item No.	Part No.	No. Used	Description
89	266184-6	1	Screw M10	114	416450-3	1	Lock Lever
90	256100-6	1	Pin 5	115	273515-2	1	Grip 32
91	253024-7	1	Flat Washer 10	117	152643-5	1	Base Com. (Includes Item 13 & 817838-4 - Caution Label)
92	252130-5	1	Hex. Lock Nut M10-17	118	344646-5	1	Slide Plate
93	317235-9	1	Guide Fence	119	344646-5	1	Slide Plate
94	921341-0	3	Hex. Bolt M6x25	120	286212-1	5	Cap 20
95	251887-5	1	Screw M6x10	121	921472-5	1	Hex. Bolt M8x50
96	266026-4	2	Tapping Screw Bind CT 4x12	122	411478-6	2	Switch Button
97	266026-4	2	Tapping Screw Bind CT 4x12	123	316938-2	1	Vise Arm
98	416539-7	1	Kerf Board	124	251887-5	1	Screw M6x10
99	416539-7	1	Kerf Board	125	322313-2	1	Vise Rod
100	251897-2	1	Screw M6x33	126	265733-6	1	Thumb Screw M10x60
101	252105-4	1	Hex. Lock Nut M8-13	127	253804-1	1	Flat Washer 6
102	253731-2	1	Flat Washer 8	128	343651-9	1	Vise Plate
103	266026-4	1	Tapping Screw Bind CT 4x12	129	251370-2	1	+ P.H. Screw M5
104	416355-7	1	Indication Plate	200	654558-7	1	Closed End Connector
105	151681-4	1	Turn Base Com. (Includes 2x211376-2 - Linear Ball Bearing 2560, 4x262077-5 - Felt Ring 25, 263005-3 - Rubber Pin 6, 2x344638-4 - Cap 35, 810642-0 - Caution Label & 2x817283-9 - Caution Label)	Accessories			
106	922111-0	1	Hex. Socket Head Bolt M4x10	A01	782223-9	1	Box Wrench
107	231325-3	1	Compression Spring 6	A02	410602-8	1	Fastener
108	152593-4	1	Square Rod Com. (Includes 263005-3 - Rubber Pin 6)	A03	762001-3	1	Triangular Rule
109	925251-3	2	Hex. Bolt M5x30	A04	122523-9	1	Dust Bag Assy (Includes Item A02)
110	323741-4	1	Lock Pin	A05	122571-8	1	Vice Assy (Includes Items 123 - 129)
111	256158-5A	1	Pin 3	A06	193131-3	1	Battery B2430 (3.0Ah)
112	344601-7	1	Lock Plate	A07	A-90912	1	7-1/2" Negative C.T.Saw Blade 40Teeth (5/8" Arbour)
113	266026-4	2	Tapping Screw Bind CT 4x12	A08	DC24SA	1	DC24SA Battery Charger
				A09	191686-A	1	Makita Safety Glasses