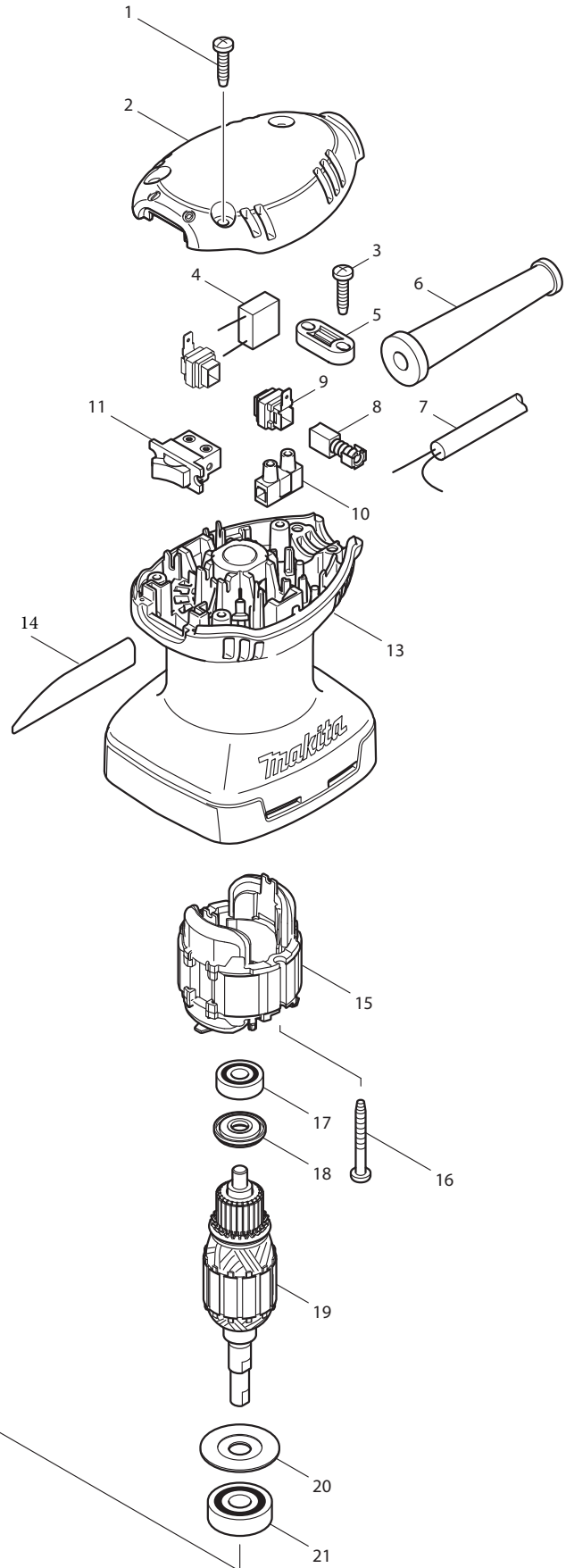
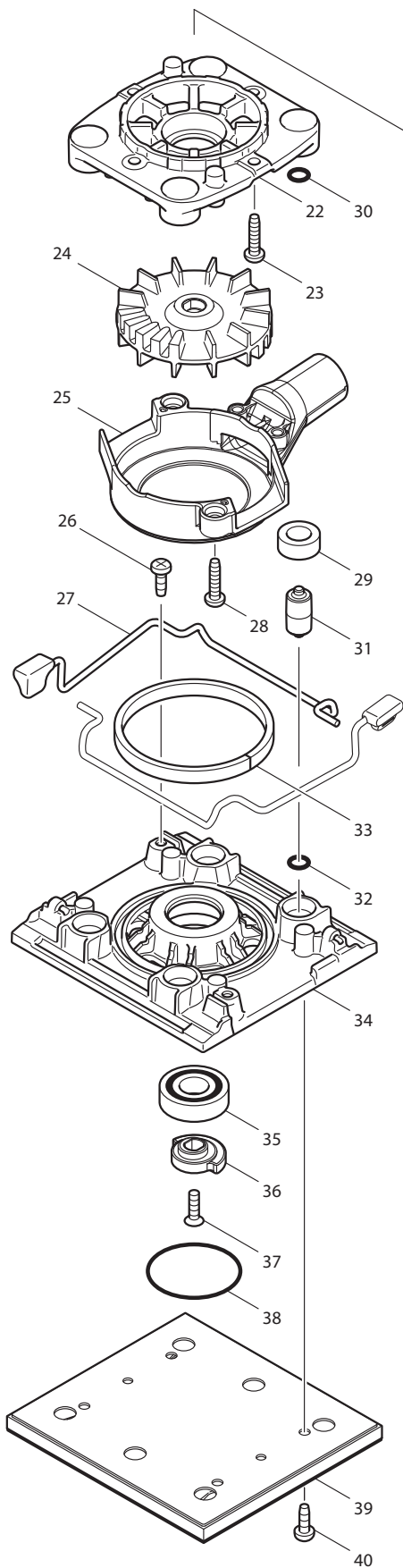




11- 2009
MODEL BO4557
1/2" FINISHING SANDER



Item No	Type	Ref	R Part No	Description	Qty	Unit
001			266326-2	TAPPING SCREW 4X18	3	PC.
002			419916-2	TOP COVER	1	PC.
003			266326-2	TAPPING SCREW 4X18	2	PC.
005			687123-7	STRAIN RELIEF	1	PC.
006			682569-2	CORD GUARD 8-85	1	PC.
007			664881-2	CORD W/PLUG 2P-18-2.0M, SJO	1	PC.
008	2		195007-0	CARBON BRUSH CB-407 2PC/SET, W/O ORIGIN	1	PC.
009			643995-0	BRUSH HOLDER	2	PC.
010			654532-5	TERMINAL BLOCK 1P	1	PC.
011			651527-9	SWITCH	1	PC.
013			158584-3	MOTOR HOUSING COMPLETE	1	PC.
014			864750-9	NAME PLATE F/BO4557	1	PC.
015	2		635096-8	FIELD 115V	1	PC.
016			266351-3	TAPPING SCREW 4X35	2	PC.
017			210028-2	BALL BEARING 606ZZ	1	PC.
018	1		681661-1	INSULATION WASHER	1	PC.
	2		681675-0	INSULATION WASHER	1	PC.
019	2		517636-3	ARMATURE ASS'Y 115V	1	PC.
		INC.		Item No. 17,18,20,21		
	3		510263-5	ARMATURE ASS'Y 115V	1	PC.
		INC.		Item No. 17,18,20,21		
020	2		267130-2	FLAT WASHER 9	1	PC.
021			211092-6	BALL BEARING 629DDW	1	PC.
022			450464-2	BEARING BOX	1	PC.
023			266326-2	TAPPING SCREW 4X18	4	PC.
024			241671-6	FAN 63	1	PC.
025			450069-8	FAN GUIDE	1	PC.
026			266020-6	TAPPING SCREW 4X12	2	PC.
027			162259-8	LEVER COMPLETE	2	PC.
028			266326-2	TAPPING SCREW 4X18	2	PC.
029			424023-8	SPONGE SLEEVE 9	4	PC.
030			213983-7	O RING 4	4	PC.
031			318151-8	FOOT	4	PC.
032			213983-7	O RING 4	4	PC.
033	3		424684-4	* SPONGE 7X87X3	1	PC.
034			450067-2	BASE	1	PC.
035			211131-2	BALL BEARING 6001DDW	1	PC.
036			313141-6	BALANCER	1	PC.
037			912117-6	COUNTERSUNK HEAD SCREW M4X12	1	PC.
038			213510-0	O RING 36	1	PC.
039			158324-9	PAD COMPLETE	1	PC.
040			266020-6	TAPPING SCREW 4X12	4	PC.
C01			849191-0	CARTON F/BO4557	1	PC.

Item No	Type	Ref	R Part No	Description	Qty	Unit
ACCESSOREIS				- See catalogue or visit www.makita.ca for more optional accessories -		
A01			166078-4	DUST BAG	1	PC.
	Opt.		135222-4	DUST BAG ASSY	1	PC.
		INC.		Item No. A01 - A04	1	PC.
A02			257202-1	RING 25	1	PC.
A03			416063-0	DUST BAG NOZZLE	1	PC.
A04			416064-8	DUST NOZZLE	1	PC.
A05			450066-4	PUNCH PLATE	1	PC.
A06			794296-0	ABRASIVE PAPER 3PC /SET (#60,100,150)	1	SET
A07			135246-0	DUST BOX ASSY	1	PC.
A08			194746-9	PAPER DUST BAG 5PC/SET	1	SET
A09			195133-5	FILTER DUST BAG 5PC/SET	1	SET

SERVICE CHANGES

1. Changes on Sponge

(TI#A5719,B4352)

Item No	Description	Type 1	Type 2
33	Sponge 6x185x3 >> Sponge 7X87X3	424038-5	424684-4

Type 1



Type 2

