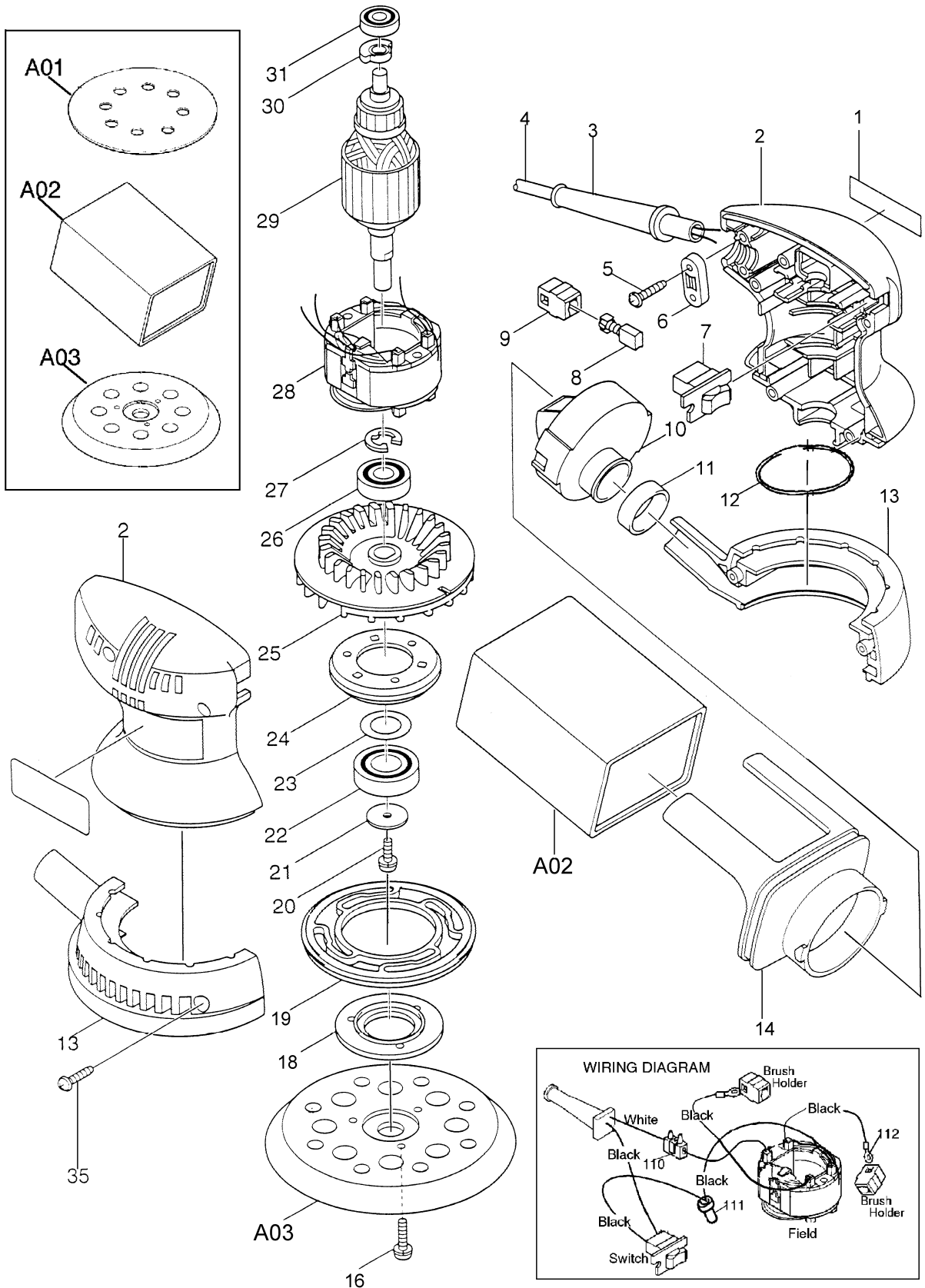


# RANDOM ORBITAL SANDER

Model BO5011(MCA)

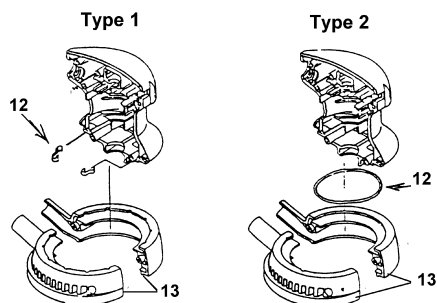


Item No.	Part No.	No. Used	Description	Item No.	Part No.	No. Used	Description
1	819063-3	1	Makita Label	24	316835-2	1	Bearing Box
2	<b>183048-8</b>	1	Motor Housing Set (Old 182921-9)	25	241896-2	1	Fan 88
3	682502-4	1	Cord Guard 8-85	26	210020-8	1	Ball Bearing 6000DDU
4	664013-1	1	Cord With Plug 2P-18-2.5	27	961015-1	1	Stop Ring E-9
5	265995-6	2	Tapping Screw 4X18	28	593381-4	1	Field Assy (Includes 654558-7 - Insulated Connector)
6	687063-9	1	Strain Relief	29	517231-9	1	Armature Assy (Includes Items 26-27 & 30-31)
7	651513-0	1	Switch	30	313080-0	1	Counter Weight
8	191956-9	2	Carbon Brush CB-75 (2pcs/Set)	31	210017-7	1	Ball Bearing 607DDW
9	643552-4	2	Brush Holder 5-8	35	265995-6	7	Tapping Screw 4X18
10	416064-8	1	Dust Nozzle	110	654532-5	1	Terminal Block 1P
11	257202-1	1	Ring 25	111	654509-0	1	Connector 2-SD
12	*	2/1	Leaf Spring / O Ring 75	112	654002-4	2	Solderless Eye Terminal 1.25-M4
13	*	1	Skirt Set	<b>Accessories</b>			
14	416063-0	1	Dust Bag Nozzle	A01	- - - -	1	Sanding Disc (See Catalogue for Details)
16	911128-8	3	P.H. Screw M4X16	A02	166047-5	1	Dust Bag
18	316834-4	1	Bearing Box Cover	A03	743056-7	1	Pad 123
19	416062-2	1	Brake Ring				
20	911116-5	1	P.H. Screw M4X12				
21	253739-6	1	Flat Washer 4				
22	*	1	Ball Bearing 6002DDW				
23	253315-6	1	Thin Washer 15				

\* SEE SERVICE CHANGES

## SERVICE CHANGES

### 1. Change on Skirts Set Etc.



Item No.	Description	Type 1	Type 2
12	Leaf Spring / O Ring 75	232166-0 - Leaf Spring (2pcs)	<b>213755-0</b> - O Ring 75 (1pc)
13	Skirt Set	182922-7	<b>183088-6</b>

Above parts are completely interchangeable as a set.  
Type 2 Sander becomes No Positive Stop function.

### 2. Change on Ball Bearing.

Item No.	Description	Type 1	Type 2
22	Ball Bearing 6002DDW	211227-9	<b>211236-8</b>

Above parts are completely interchangeable  
To Prevent excess rotation when the Sander is NO LOAD, please change to Type 2 Ball Bearing which is packed with a thinner grease. There is no visual difference between Type 1 & Type 2 Ball Bearings.