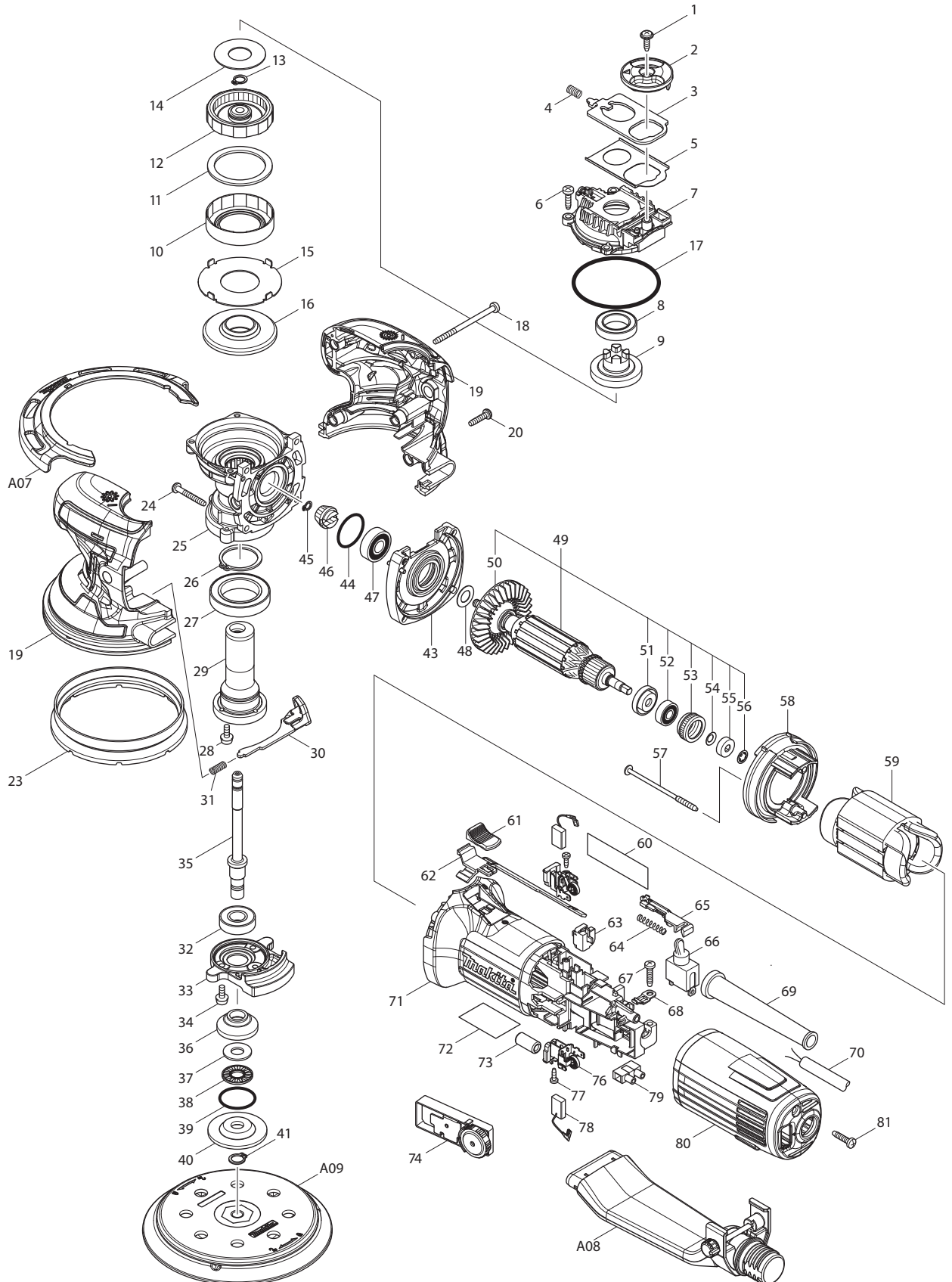




09 - 2015  
BO6050J  
6" RANDOM ORBIT SANDER



Item No.	Type	Ref	Part No.	Description	Qty	Unit
001			266901-4	TAPPING SCREW 4X14	1	PC.
002			456126-0	CHANGE KNOB	1	PC.
003	2		347150-3	CHANGE PLATE	1	PC.
004			231490-8	COMPRESSION SPRING 5	1	PC.
005			346913-4	GUIDE PLATE	1	PC.
006			266034-5	TAPPING SCREW CT 4X16	4	PC.
007			456117-1	TOP COVER	1	PC.
008			211333-0	BALL BEARING 6804LLU	1	PC.
009	2		226935-9	SPUR GEAR 31	1	PC.
010			424748-4	BRAKE RING	1	PC.
011			261157-4	SPONGE WASHER 40	1	PC.
012			227387-7	INTERNAL GEAR 34	1	PC.
013			961004-6	RETAINING RING S-8	1	PC.
014			267290-0	FLAT WASHER 18	1	PC.
015			346912-6	PLATE	1	PC.
016			227648-5	SPIRAL BEVEL GEAR 43	1	PC.
017			213707-1	O RING 65	1	PC.
018			266060-4	TAPPING SCREW 4X65	1	PC.
019			183B68-4	HEAD COVER SET	1	PC.
020			265995-6	TAPPING SCREW 4X18	4	PC.
023			424747-6	RUBBER GUARD	1	PC.
024			266050-7	TAPPING SCREW 4X30	4	PC.
025			143324-2	GEAR HOUSING COMPLETE	1	PC.
026			961110-7	RETAINING RING S-30	1	PC.
027			211445-9	BALL BEARING 6906DDW	1	PC.
028			911119-9	PAN HEAD SCREW M4X12	3	PC.
029			143325-0	OUTER SPINDLE COMPLETE	1	PC.
030			143376-3	SHAFT LOCK COMPLETE	1	PC.
031			233285-5	COMPRESSION SPRING 4	1	PC.
032			211131-2	BALL BEARING 6001DDW	1	PC.
033			319330-1	BALANCER	1	PC.
034			911119-9	PAN HEAD SCREW M4X12	3	PC.
035			143375-5	INNER SPINDLE COMPLETE	1	PC.
036			326582-7	COVER	1	PC.
037			253024-7	FLAT WASHER 10	1	PC.
038			216413-7	THRUST NEEDLE CAGE 1024	1	PC.
039			213445-5	O-RING 26	1	PC.
040			326581-9	FLANGE	1	PC.
041			961006-2	RETAINING RING S-10	1	PC.
043			143327-6	GEAR HOUSING COVER COMPLETE	1	PC.
044			213445-5	O-RING 26	1	PC.
045			961002-0	RETAINING RING S-6	1	PC.
046			227647-7	SPIRAL BEVEL GEAR 11	1	PC.
047			210059-1	BALL BEARING 6000DDW	1	PC.
048			253758-2	FLAT WASHER 10	1	PC.
049			513441-6	ARMATURE ASS'Y 115V	1	PC.
		INC.		Item No. 50-56		
050			240084-8	FAN 60	1	PC.
051			681636-0	INSULATION WASHER	1	PC.
052			210034-7	BALL BEARING 607LLB	1	PC.
053			421868-5	LABYRINTH RUBBER RING 19	1	PC.
054			267756-0	WAVE WASHER 6	1	PC.
055			688117-5	MAGNET SLEEVE	1	PC.

Item No.	Type	Ref	Part No.	Description	Qty	Unit
056			259039-2	SELF LOCK 6	1	PC.
057			266049-2	TAPPING SCREW 4X75	2	PC.
058			456116-3	BAFFLE PLATE	1	PC.
059			621771-2	FIELD 115V	1	PC.
060			851L09-5	NAME PLATE F/BO6050	1	PC.
061			419566-3	SWITCH KNOB	1	PC.
062			456122-8	FRONT SWITCH LEVER	1	PC.
063			456124-4	PICUP COIL COVER	1	PC.
064			233071-4	COMPRESSION SPRING 4	1	PC.
065			456123-6	REAR SWITCH LEVER	1	PC.
066			651423-1	SWITCH SINGLE	1	PC.
067			265995-6	TAPPING SCREW 4X18	1	PC.
068			687681-3	STRAIN RELIEF	1	PC.
069			682559-5	CORD GUARD 8	1	PC.
070			664064-4	CORD W/PLUG 2P-18-2.5M, SJ	1	PC.
071			456120-2	MOTOR HOUSING	1	PC.
072			807P04-7	INDICATION LABEL	1	PC.
074			620464-8	CONTROLLER	1	PC.
076			643770-4	BRUSH HOLDER	2	PC.
077			266007-8	TAPPING SCREW BIND PT 3X10	2	PC.
078			195001-2	CARBON BRUSH SET CB-325 2PC/SET W/ORIGIN	1	SET
079			654532-5	TERMINAL BLOCK 1P	1	PC.
080			456121-0	REAR COVER	1	PC.
081			265995-6	TAPPING SCREW 4X18	1	PC.
D01			652008-6	PAN HEAD SCREW M3.5X7	2	PC.
D02			654037-5	INSULATED TERM. FT1.25-M3	2	PC.
D05			654509-0	CONNECTOR 2-SD	1	PC.

**ACCESSORIES**

**- Visit [www.makita.ca](http://www.makita.ca) for more accessories information -**

A01			143328-4	GRIP 36 COMPLETE	1	PC.
A02			197212-5	INTERLOCKING TOOL CASE L	1	PC.
		INC.	453974-8	LATCH	4	PC.
A03			T-02571	FOAM INSERT F/INTERLOCK CASE	3	PC.
			838246-6	INNER TRAY F/ INTERLOCK CASE	1	PC.
A04			807T73-2	INDICATION LABEL BO6050J F/CASE	1	PC.
A05			807T74-0	PLASTIC CARRYING CASE LABEL F/BO6050J	2	PC.
A06			794610-0	6" HOOK&LOOP ABRASIVE DISC 120G, 10PC/SET	1	SET
			-----	6" HOOK&LOOP DISC		
A07			456127-8	PAD PROTECTOR	1	PC.
A08			143326-8	NOZZLE COMPLETE	1	PC.
A09			197314-7	PAD 6" (150MM) SOFT	1	PC.
			197315-5	PAD 6" (150MM) HARD	1	PC.
			197316-3	PAD 6" (150MM) SUPER SOFT	1	PC.
			197317-1	PAD 5" (130MM) POLISHING	1	PC.
A10			195546-0	FRONT CUFF 24	1	PC.