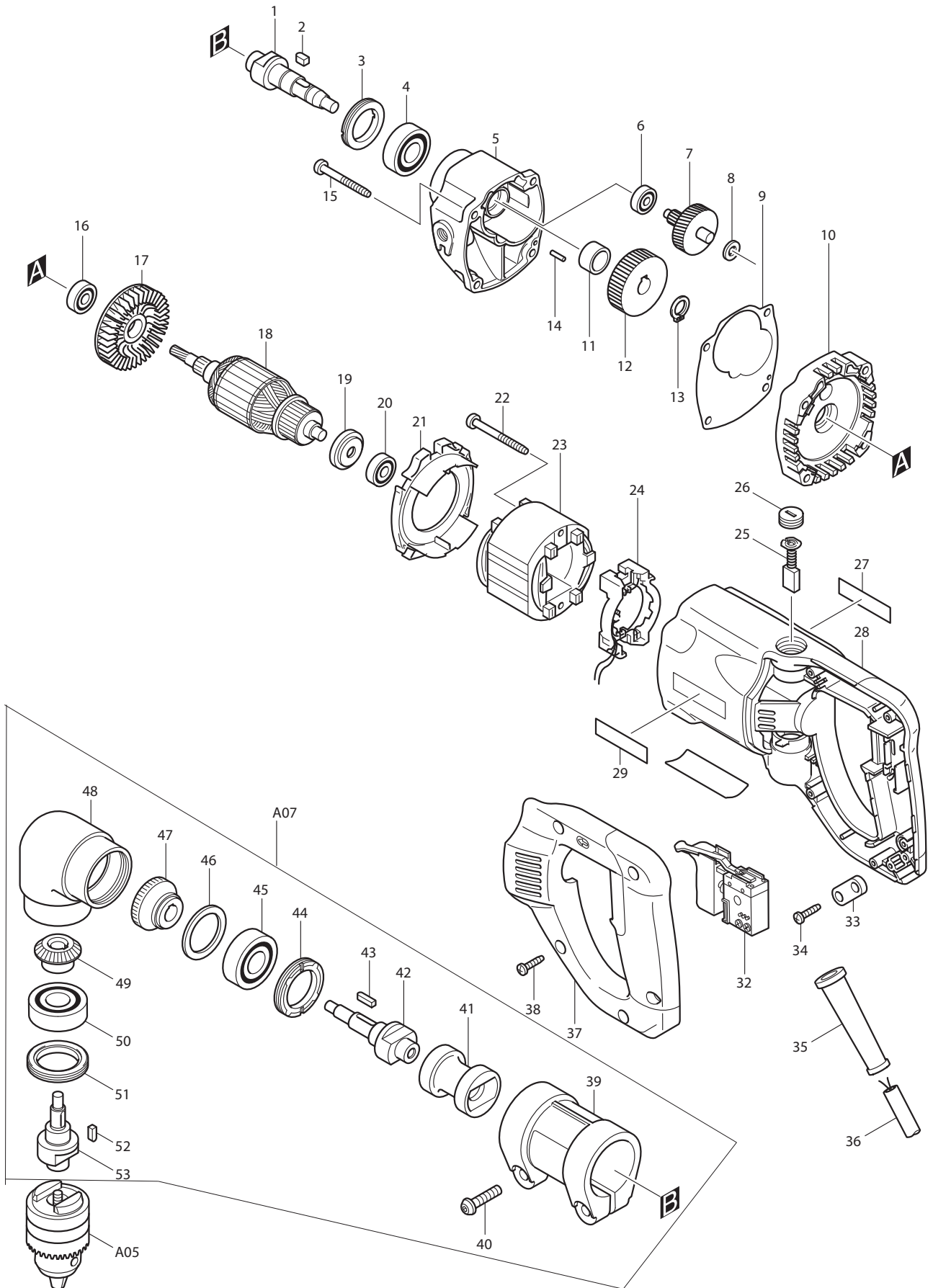




03 - 2010  
DA4000LR  
1/2" ANGLE DRILL



Item No	Type	Ref	Part No	Description	Qty	Unit
001			324171-2	SPINDLE	1	PC.
002			254211-1	KEY 5	1	PC.
003			285808-5	BEARING RETAINER 25-36	1	PC.
004			211206-7	BALL BEARING 6202LLB	1	PC.
005			317482-2	GEAR HOUSING	1	PC.
006			211016-2	BALL BEARING 626LLB	1	PC.
007			226144-0	GEAR COMPLETE 7-41	1	PC.
008			253133-2	FLAT WASHER 7	1	PC.
009			417650-8	GASKET	1	PC.
010			152889-3	GEAR HOUSING COVER COMPLETE	1	PC.
		INC.	212004-2	NEEDLE BEARING 810	1	PC.
		INC.	212041-6	NEEDLE BEARING 709	1	PC.
011			313105-0	SLEEVE 15	1	PC.
012			226544-4	HELICAL GEAR 41	1	PC.
013			961055-9	RETAINING RING S-15	1	PC.
014			256157-7	PIN 3	1	PC.
015			266056-5	TAPPING SCREW 5X45	4	PC.
016			211031-6	BALL BEARING 608LLB	1	PC.
017			241850-6	FAN 60	1	PC.
018			516481-3	ARMATURE ASS'Y 115V	1	PC.
		INC.		Item No. 16,17,19,20		
019			681651-4	INSULATION WASHER	1	PC.
020			211031-6	BALL BEARING 608LLB	1	PC.
021			417649-3	BAFFLE PLATE	1	PC.
022			266046-8	TAPPING SCREW 5X50	2	PC.
023			634441-4	FIELD 115V	1	PC.
024			638081-0	SUPPORT COMPLETE	1	PC.
025	2		194996-6	CARBON BRUSH CB-303 2PC/SET (W/ ORIGIN)	1	SET
026	2		643515-0	HOLDER CAP 7-11	2	PC.
027			819063-3	MAKITA LABEL	1	PC.
028			183395-7	MOTOR HOUSING	1	PC.
		INC.	643708-9	BRUSH HOLDER 5-11	2	PC.
		INC.		Item No. 27,29		
029			819063-3	MAKITA LABEL	1	PC.
030			853151-6	NAME PLATE F/ DA4000LR	1	PC.
032			650510-3	SWITCH TG813TLA-1	1	PC.
033			687063-9	CORD CLAMP (STRAIN RELIEF)	1	PC.
034			265995-6	TAPPING SCREW 4X18	2	PC.
035	2		682572-3	CORD GUARD 8	1	PC.
036			664064-4	CORD W/PLUG 2P-18-2.5M, SJ	1	PC.
037			417648-5	HANDLE COVER	1	PC.
038			265995-6	TAPPING SCREW 4X18	5	PC.
039			152932-8	JOINT COMPLETE	1	PC.
040			266281-8	HEX.SOCKET BUTTON BOLT M8X35	2	PC.
041			324154-2	SOCKET	1	PC.
042			324170-4	GEAR SHAFT L	1	PC.
043			254226-8	KEY 4	1	PC.
044			285838-6	BEARING RETAINER 29-42	1	PC.
045			211278-2	BALL BEARING 6203DDW	1	PC.
046			253854-6	FLAT WASHER 30	1	PC.
047			227411-6	ZEROL BEVEL GEAR 19	1	PC.
048			152890-8	ANGLE HOUSING COMPLETE	1	PC.

Item No	Type	Ref	Part No	Description	Qty	Unit
049			227412-4	ZEROL BEVEL GEAR 13	1	PC.
050			211278-2	BALL BEARING 6203DDW	1	PC.
051			285838-6	BEARING RETAINER 29-42	1	PC.
052			254219-5	KEY 4	1	PC.
053			324169-9	GEAR SHAFT H	1	PC.
055			410102-8	KEY HOLDER	1	PC.
E01			892672-3	CAUTION LABEL	1	PC.

### **ACCESSORIES**

- See catalogue or visit [www.makita.ca](http://www.makita.ca) for more accessories -

A01			122646-3	GRIP ASS'Y	1	PC.
		INC.	265485-9	HEX.BOLT M8X35	1	PC.
		INC.	317488-0	GRIP BASE	1	PC.
A02			152892-4	GRIP COMPLETE	1	PC.
A03			783216-9	HEX. WRENCH 5	1	PC.
A04			824646-6	PLASTIC CARRYING CASE	1	PC.
		INC.	819145-1	MAKITA LOGO LABEL	1	PC.
	2	INC.	163467-4	LATCH (TYPE 2)	2	PC.
A05			193319-5	DRILL CHUCK S-13	1	PC.
		INC.	266280-0	HEX. SOCKET HEAD BOLT M6X25	1	PC.
		INC.	267763-3	NORD-LOCK WASHER 6	2	PC.
A06			763434-5	CHUCK KEY 10	1	PC.
A07			193316-1	ANGLE ATTACHMENT	1	PC.
		INC.		Item No. 39-53 and A3		
A08			122645-5	STOPPER POLE ASSY	1	PC.
		INC.	345181-6	STOPPER HOLDER - N/A as individually	1	PC.
		INC.	256828-6	ROD 8	1	PC.
		INC.	286210-5	CAP 20	1	PC.
A09			193317-9	EXTENSION ATTACHMENT (See Parts Breakdown 193317-9)	1	PC.

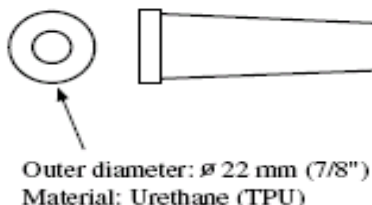
### **SERVICE CHANGES**

#### **1. Changes on Cord Guard**

Item No.	Description	Type 1	Type 2
35	Cord Guard	682567-6	682572-3

Above parts are completely interchangeable as a set.

**Type 1**



**Type 2**

