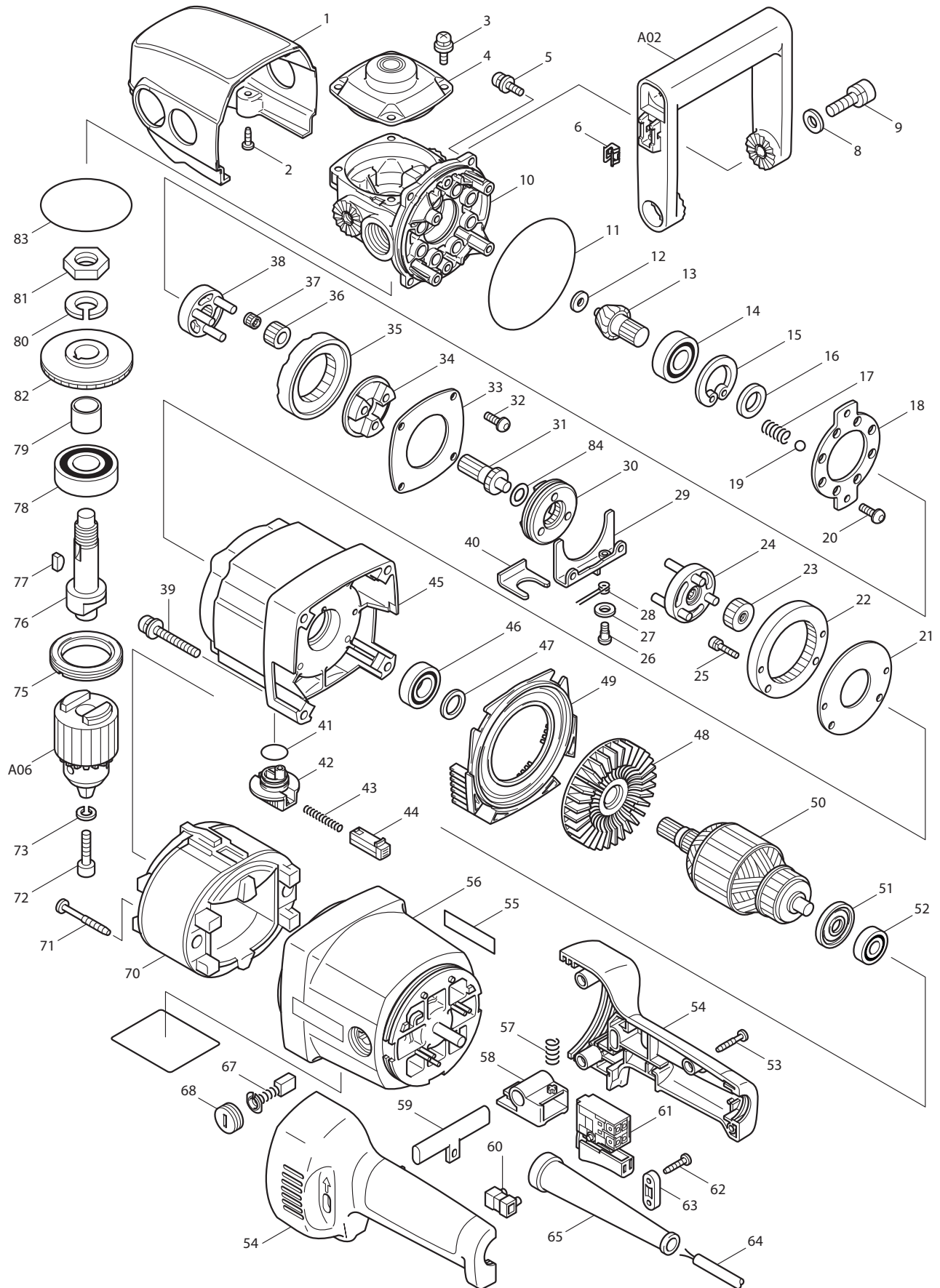




03 - 2010  
DA4031  
1/2" ANGLE DRILL  
2 - SPEED



Item No	Type	Sub	Part No	Description	Qty	Unit
001			417666-3	TOP COVER	1	PC.
002			266026-4	TAPPING SCREW BIND CT 4X12	2	PC.
003		2	266086-6	HEX. SOCKET HEAD BOLT M5X16	4	PC.
004			152956-4	GEAR HOUSING COVER COMPLETE	1	PC.
005		2	266086-6	HEX. SOCKET HEAD BOLT M5X16	4	PC.
006			344391-2	BIT HOLDER	1	PC.
008			941202-8	FLAT WASHER 8	2	PC.
009			922441-9	HEX. SOCKET HEAD BOLT M8X25	2	PC.
010			152958-0	GEAR HOUSING COMPLETE	1	PC.
011			213803-5	O RING 85	1	PC.
012			253804-1	FLAT WASHER 6	1	PC.
013			227415-8	SPIRAL BEVEL GEAR 13	1	PC.
014			211206-7	BALL BEARING 6202LLB	1	PC.
015			962153-2	RETAINING RING R-35	1	PC.
016			257212-8	RING 15	1	PC.
017			233326-7	COMPRESSION SPRING 5	8	PC.
018			345189-0	GUIDE PLATE	1	PC.
019			216022-2	STEEL BALL 7.0	8	PC.
020			265491-4	H.S. BUTTON HEAD BOLT M5X16	2	PC.
021			345193-9	PLATE	1	PC.
022			227021-9	INTERNAL GEAR 49	1	PC.
023			152966-1	SPUR GEAR 19 COMPLETE	3	PC.
024			152965-3	CARRIER B COMPLETE	1	PC.
025			265493-0	HEX. SOCKET HEAD BOLT M4X20	2	PC.
026			251306-1	+ PAN HEAD SCREW J5	1	PC.
027			941152-7	FLAT WASHER 6	1	PC.
028			231657-8	TORSION SPRING 6	1	PC.
029			345191-3	CHANGE GUIDE	1	PC.
030			324201-9	CHANGE RING	1	PC.
031			227025-1	SPUR GEAR 10	1	PC.
032			265491-4	H.S. BUTTON HEAD BOLT M5X16	4	PC.
033			345188-2	RETAINER PLATE	1	PC.
034			223135-2	CAM	1	PC.
035			227022-7	INTERNAL GEAR 38	1	PC.
036			227026-9	SPUR GEAR 14	3	PC.
037			216420-0	NEEDLE CAGE 6910	3	PC.
038			152964-5	CARRIER A COMPLETE	1	PC.
039			911373-5	PAN HEAD SCREW M6X50	4	PC.
040			961078-7	RETAINING RING (EXT) S-18	1	PC.
041			213265-7	O RING 17	1	PC.
042			417670-2	CHANGE LEVER	1	PC.
043			233279-0	COMPRESSION SPRING 4	1	PC.
044			417298-6	LOCK BUTTON	1	PC.
045			152960-3	GEAR CASE COMPLETE	1	PC.
		INC.	213459-4	O RING 32	1	PC.
046			211236-8	BALL BEARING 6002DDW	1	PC.
047			253853-8	FLAT WASHER 15	1	PC.
048			240003-4	FAN 80	1	PC.
049			417664-7	BAFFLE PLATE	1	PC.
050			516856-6	ARMATURE ASS'Y 115V	1	PC.
		INC.		Item No. 46,47,48,51,52		
051			681649-1	INSULATION WASHER	1	PC.
052			211061-7	BALL BEARING 6000LLB	1	PC.
053			265999-8	TAPPING SCREW 4X25	4	PC.
054			183392-3	HANDLE SET	1	SET
055			819063-3	MAKITA LABEL	2	PC.
056			183400-0	MOTOR HOUSING	1	PC.
		INC.	643708-9	BRUSH HOLDER 5-11	2	PC.

Item No	Type	Sub	Part No	Description	Qty	Unit
		INC.		Item No. 55		
057			231402-1	COMPRESSION SPRING 7	1	PC.
058			416998-5	LOCK BUTTON	1	PC.
059			417663-9	F/R CHANGE LEVER	1	PC.
060			654532-5	TERMINAL BLOCK 1P	1	PC.
061			650502-2	SWITCH SGE110CR10	1	PC.
062			265995-6	TAPPING SCREW 4X18	2	PC.
063			687063-9	CORD CLAMP (STRAIN RELIEF)	1	PC.
064			664265-4	CORD WITH PLUG 2P-16-2.5M SJ	1	PC.
065			682564-2	CORD GUARD	1	PC.
067	2		194996-6	CARBON BRUSH CB-303 2PC/SET (W/ ORIGIN)	1	SET
068	2		643515-0	HOLDER CAP 7-11	2	PC.
069			853218-0	NAME PLATE F/DA4031	1	PC.
070			636226-4	FIELD 115V	1	PC.
071			266056-5	TAPPING SCREW 5X45	2	PC.
072			266284-2	HEX. SOCKET HEAD BOLT M6X25	1	PC.
073			942151-2	SPRING WASHER 6	1	PC.
075			285838-6	BEARING RETAINER 29-42	1	PC.
076			324203-5	SPINDLE	1	PC.
077			254032-1	WOODRUFF KEY 5	1	PC.
078			211278-2	BALL BEARING 6203DDW	1	PC.
079			257715-2	SLEEVE 17	1	PC.
080			942402-3	SPRING WASHER 16	1	PC.
081	1		252182-6	HEX. NUT M16-22	1	PC.
	2		252267-8	HEX. NUT M16-22	1	PC.
082			227416-6	SPIRAL BEVEL GEAR 40	1	PC.
083			213709-7	O RING 63	1	PC.
084			253215-0	FLAT WASHER 8	1	PC.
085			253771-0	FLAT WASHER 16	1	PC.
086			410102-8	KEY HOLDER	1	PC.
100			654020-2	GARTER SPRING	2	PC.
101			654037-5	INSULATED EYE TERMINAL FT1.25-M3	2	PC.
102			654501-6	TERMINAL P-1.25	2	PC.
103			652008-6	P.H. SCREW M3.5 X 7	2	PC.
E01			892672-3	CAUTION LABEL	1	PC.
<b><u>ACCESSORIES</u></b>						
A01			273654-8	GRIP 27	1	PC.
A02			417665-5	FRONT GRIP	1	PC.
A03			763434-5	CHUCK KEY 10	1	PC.
A04			783204-6	HEX. WRENCH 6	1	PC.
A05			824647-4	PLASTIC CARRYING CASE	1	PC.
		INC.	819145-1	MAKITA LOGO LABEL	2	PC.
		INC.	163467-4	LATCH (TYPE2)	2	PC.
A06			193520-2	DRILL CHUCK S-13	1	PC.
		INC.	266284-2	HEX. SOCKET HEAD BOLT M6X25	1	PC.
		INC.	942151-2	SPRING WASHER 6	1	PC.