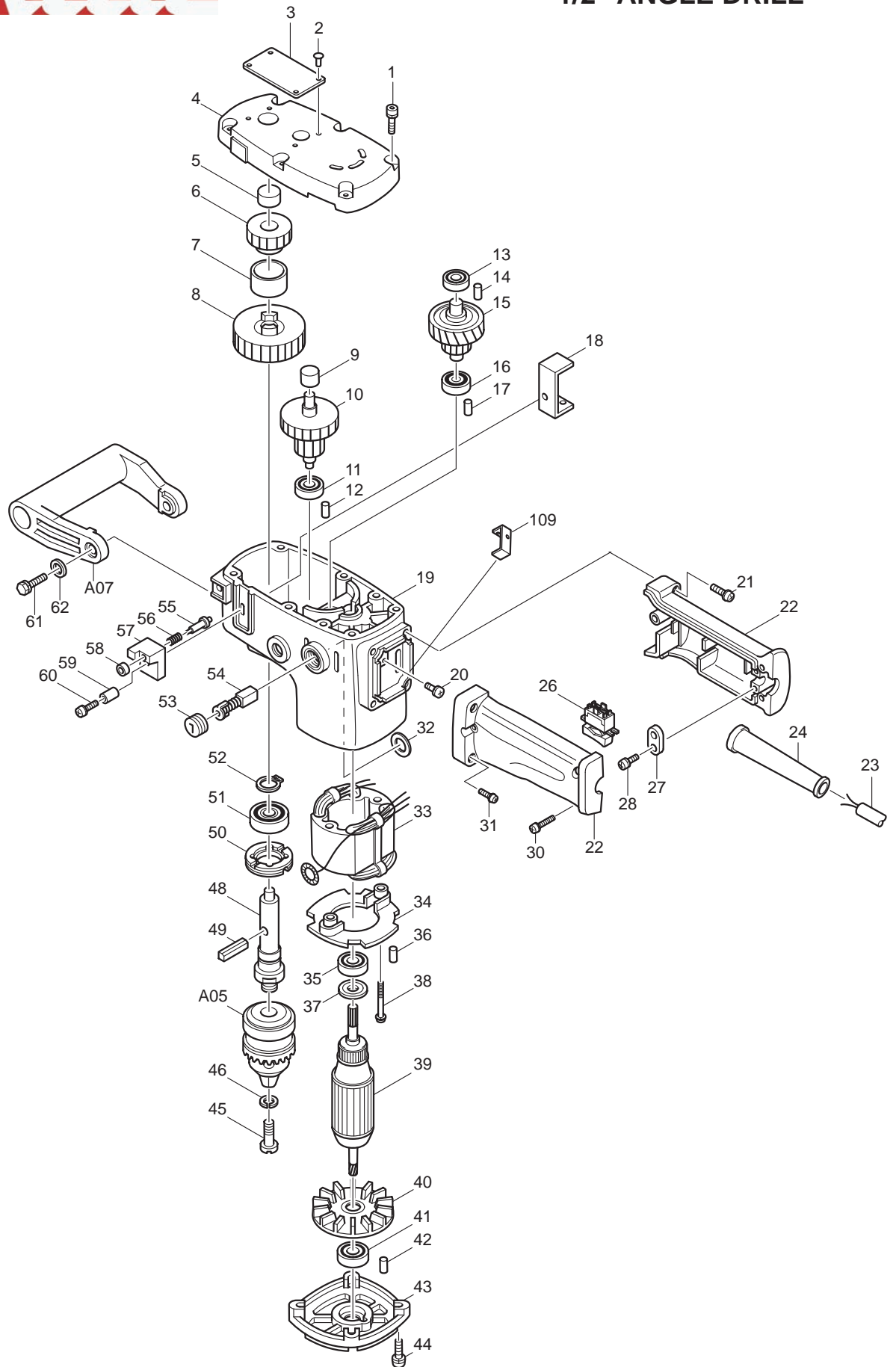




08 - 2010
DA6301
1/2" ANGLE DRILL



Item No	Type	Ref	Part No	Description	Qty	Unit
001			911241-2	PAN HEAD SCREW M5X25	6	PC.
002			953106-2	RIVET 0-5	4	PC.
003			852488-8	NAME PLATE	1	PC.
004			157398-7	HOUSING COVER	1	PC.
		INC.		Item No. 4		
005			212052-1	NEEDLE BEARING 1010	1	PC.
006			221877-2	SPUR GEAR 33	1	PC.
007			257573-6	SLEEVE 26	1	PC.
008			221876-4	SPUR GEAR 57	1	PC.
009			212004-2	NEEDLE BEARING 810	1	PC.
010			226070-3	GEAR COMPLETE 20-45	1	PC.
011			211033-2	BALL BEARING 608LB	1	PC.
012			263002-9	RUBBER PIN 4	1	PC.
013			211028-5	BALL BEARING 627LB	1	PC.
014			263002-9	RUBBER PIN 4	1	PC.
015			155700-8	TORQUE LIMITER COMPLETE	1	PC.
016			211016-2	BALL BEARING 626LLB	1	PC.
017			263002-9	RUBBER PIN 4	1	PC.
018			341749-6	SLIDER	1	PC.
019			159790-3	HOUSING COMPLETE	1	PC.
		INC.	913206-0	SET SCREW M5X8	2	PC.
		INC.	643603-3	BRUSH HOLDER 6-10	2	PC.
		INC.		Item No. 12, 17 & 36		
020			652014-1	PAN HEAD SCREW M4X8	1	PC.
021			911216-1	PAN HEAD SCREW M5X14	2	PC.
022			183584-4	HANDLE SET	1	SET
023	2		664630-7	CORD W/PLUG 3P-18-2.5M, SJ	1	PC.
024			682503-2	CORD GUARD 8-90	1	PC.
026			651564-3	SWITCH SL220SD-4, D	1	PC.
027			687001-1	STRAIN RELIEF	1	PC.
028			911133-5	PAN HEAD SCREW M4X18	2	PC.
030			911143-2	PAN HEAD SCREW M4X22	3	PC.
031			911216-1	PAN HEAD SCREW M5X14	2	PC.
032			681001-3	INSULATION WASHER	2	PC.
033			522526-7	FIELD ASS'Y 115V	1	PC.
		INC.	654019-7	RING TERMINAL	1	PC.
		INC.	654501-6	CONNECTOR P-1.25	1	PC.
034			411895-0	BAFFLE PLATE	1	PC.
035			211061-7	BALL BEARING 6000LLB	1	PC.
036			263002-9	RUBBER PIN 4	1	PC.
037			213059-0	DUST SEAL 10	1	PC.
038			911681-4	PAN HEAD SCREW M5X60	2	PC.
039			513636-1	ARMATURE ASS'Y 115V	1	PC.
		INC.		Item No. 35, 37, 40 & 41		
040			241635-0	FAN 70	1	PC.
041			211033-2	BALL BEARING 608LB	1	PC.
042			263002-9	RUBBER PIN 4	1	PC.
043			152209-1	BEARING BOX COMPLETE	1	PC.
		INC.		Item No. 42		
044			911236-5	PAN HEAD SCREW M5X22	4	PC.
045			251442-3	- FLAT HEAD SCREW M6X26	1	PC.
046			942151-2	SPRING WASHER 6	1	PC.
048			322421-9	SPINDLE	1	PC.
049			321530-1	PIN 6	1	PC.
050			285809-3	BEARING RETAINER 23-36	1	PC.
051	2		210210-3	BALL BEARING 6003LLB	1	PC.
052			961057-5	RETAINING RING S-17	1	PC.

Item No	Type	Ref	Part No	Description	Qty	Unit
053			643600-9	BRUSH HOLDER CAP 6-10	2	PC.
054	2		194982-7	CARBON BRUSH CB-124, 2PCS/SET (W/ ORIGIN)	1	SET
055			321891-9	STOPPER PIN	1	PC.
056			231098-8	COMPRESSION SPRING 6	1	PC.
057			410627-2	SLIDE BUTTON	1	PC.
058			321892-7	NUT	1	PC.
059			257574-4	SLEEVE 5	1	PC.
060			911218-7	PAN HEAD SCREW M5X14	1	PC.
061			921441-6	HEX. BOLT M8X25	2	PC.
062			941202-8	FLAT WASHER 8	2	PC.
067			421297-2	DUST COVER	1	PC.
100			652008-6	PAN HEAD SCREW M3.5X7(F/SWITCH)	4	PC.
101			652014-1	PAN HEAD SCREW M4X8(F/EARTH, MOTOR HSG)	1	PC.
102			654001-6	TERMINAL R1.25-3.5(F/ARMATURE, SWITCH)	2	PC.
103			654002-4	TERMINAL 1.25-M4(F/EARTH, MOTOR HSG)	2	PC.
106			654037-5	INSULATED TERM. FT1.25-M3(F/FIELD, SWITCH)	2	PC.
107			654509-0	CONNECTOR 2-SD(F/CORD, FIELD)	2	PC.
108			654031-7	CUP WASHER 4	1	PC.
109			652252-5	CLAMP WASHER(F/MOTOR HSG, USE W/ITEM 20)	1	PC.
111			689054-6	RING TERMINAL RETAINER 13	2	PC.
112			652250-9	CLAMP WASHER(F/SWITCH)	4	PC.
C01			845983-5	CARTON F/DA6301	1	PC.

ACCESSORIES

- See catalogue or visit www.makita.ca for more optional accessories -

A01			273476-6	GRIP 30 (SIDE HANDLE)	1	PC.
A02			763432-9	CHUCK KEY S13	1	PC.
A03			410102-8	KEY HOLDER	1	PC.
A04			181791-3	STEEL CARRYING CASE	1	PC.
	INC.		819143-5	MAKITA LABEL	1	PC.
A05			763062-6	1/2" DRILL CHUCK	1	PC.
A06			781201-6	WRENCH 9	1	PC.
A07			273628-9	GRIP (D-STYLE FRONT HANDLE), GREEN	1	PC.