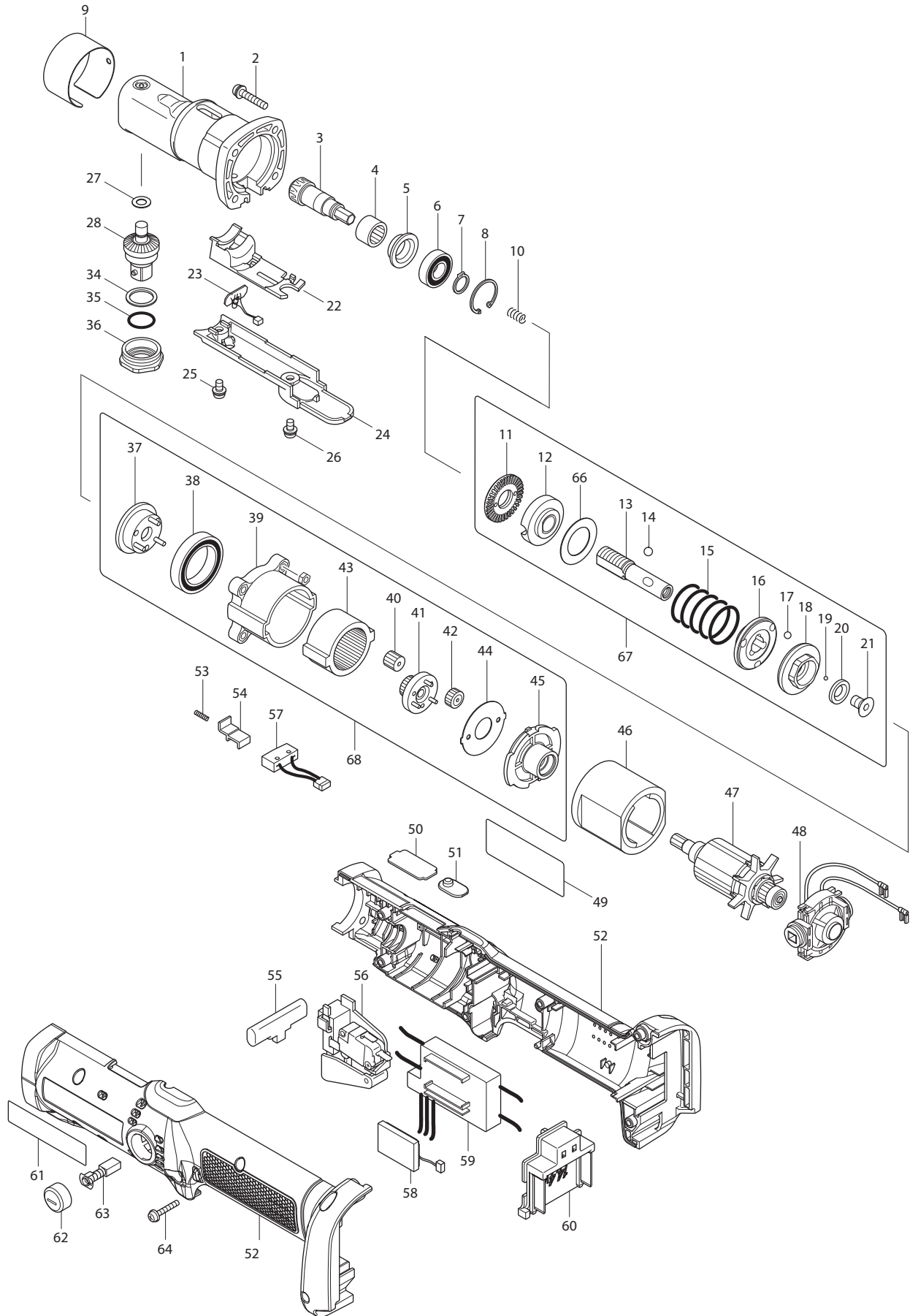




08 - 2015  
DFL122FZ  
14.4V ANGLE WRENCH



Item No.	Type	Sub	Part No.	Description	Qty	Unit
001	2		144082-3	* ANGLE HEAD COMPLETE	1	PC.
002			265145-3	+ PAN HEAD SCREW M4X22	4	PC.
003			227469-5	SPIRAL BEVEL GEAR 9	1	PC.
004			212123-4	NEEDLE BEARING 1210	1	PC.
005			345281-2	SPACER	1	PC.
006			210057-5	BALL BEARING 6900LLB	1	PC.
007			961026-6	RETAINING RING S-10	1	PC.
008			962112-6	RETAINING RING R-22	1	PC.
009			345286-2	RING 38B	1	PC.
010			233019-6	COMPRESSION SPRING 5	1	PC.
011			324834-0	LOCK NUT M12	1	PC.
012			158408-3	ADJUST RING COMPLETE	1	PC.
013			324296-2	SPINDLE	1	PC.
014			216018-3	STEEL BALL 5.0	3	PC.
015			233357-6	COMPRESSION SPRING 19B	1	PC.
016			223140-9	CAM B	1	PC.
017			216024-8	STEEL BALL 4	3	PC.
018			223139-4	CAM A	1	PC.
019			216019-1	STEEL BALL 3	13	PC.
020			267247-1	FLAT WASHER 7	1	PC.
021			266305-0	TORX C.S HEAD SCREW M5X10	1	PC.
022			418011-5	LIGHT HOLDER	1	PC.
023			631513-6	LED CIRCUIT	1	PC.
024			418005-0	LIGHT COVER	1	PC.
025			265171-2	PAN HEAD SCREW M4X8	1	PC.
026			265171-2	PAN HEAD SCREW M4X8	1	PC.
027			253726-5	FLAT WASHER 6	1	PC.
028			154725-9	SPINDLE A COMPLETE	1	PC.
034			253842-3	FLAT WASHER 14	1	PC.
035			213162-7	O RING 14	1	PC.
036	1		285707-1	* BEARING RETAINER 14-23	1	PC.
	3		285030-4	* BEARING RETAINER 14-23	1	PC.
037			153443-6	CARRIER COMPLETE A	1	PC.
038			211375-4	BALL BEARING 6805LLB	1	PC.
039			418004-2	GEAR CASE	1	PC.
040			227050-2	SPUR GEAR 13	3	PC.
041			153446-0	SPUR GEAR 20 COMPLETE	1	PC.
042			227051-0	SPUR GEAR 19	3	PC.
043			227048-9	INTERNAL GEAR 47	1	PC.
044			267774-8	LOCK WASHER	1	PC.
045			418003-4	MOTOR BRACKET	1	PC.
046			638183-2	YOKE UNIT	1	PC.
047			619318-4	ARMATURE	1	PC.
048			687138-4	ENDBELL COMPLETE	1	PC.
049			851M85-5	NAME PLATE F/DFL122F	1	PC.
050			345283-8	PLATE B, 5 - 12Nm	1	PC.
051	2		457975-8	LENS	1	PC.
052			187487-4	HOUSING SET	1	SET
052		INC.		Item No. 61		
053			233025-1	COMPRESSION SPRING 2	1	PC.
054			418002-6	SWITCH LEVER	1	PC.
055			417511-2	F/R CHANGE LEVER	1	PC.
056			650536-5	SWITCH C3Z-5-01, SINGLE W/O LOCK REV	1	PC.
057			638184-0	SWITCH UNIT	1	PC.
058			631514-4	BUZZER CIRCUIT	1	PC.
059	2		632M46-2	CONTROLLER UNIT	1	PC.
060			643828-9	TERMINAL	1	PC.
061			819284-7	MAKITA LOGO LABEL	1	PC.
062			643933-2	BRUSH HOLDER CAP	2	PC.
063			195020-8	CARBON BRUSH CB-434 2PC/SET W/ ORIGIN	1	SET
064			265095-2	PAN HEAD SCREW M3X20	6	PC.
066			267276-4	FLAT WASHER 18	1	PC.

Item No.	Type	Sub	Part No.	Description	Qty	Unit
067			125389-6	CLUTCH ASS'Y B Item No. 11-21,66	1	PC.
068		INC.	125191-7	GEAR ASS'Y C Item No. 37-45	1	PC.

**ACCESSORIES**

A01			765027-4	TORQUE ADJUST TOOL	1	PC.
A03			-----	COLOUR CODED PLASTIC PROTECTORS & IDENTIFIERS		
A04			-----	14.4V LI-ION BATTERY		
A05			-----	BATTERY CHARGER		
A06			-----	LI-ION BATTERY ACCESSORIES		
A07			195621-2	** ANTI KICK BACK HEAD SET (SPECIAL ORDER ITEM)	1	PC.
A08			453091-4	** PROTECTOR BLUE F/ANTI-KICK BACK HEAD SET	1	PC.
			453092-2	** PROTECTOR RED F/ANTI-KICK BACK HEAD SET	1	PC.
			453093-0	** PROTECTOR YELLOW F/ANTI-KICK BACK HEAD SET	1	PC.
			453094-8	** PROTECTOR CLEAR F/ANTI-KICK BACK HEAD SET	1	PC.
E01			802J50-9	CAUTION LABEL (W/NO BATTERY NO.)	1	PC.

\*\* *Special order items*

**SERVICE CHANGES**

**1. Changes on Angle Head Complete & Bearing Retainer**

Item No.	Description	(TI#B3611)		(TI#B5568)
		Type 1	Type 2	Type 3
001	Angle Head Complete	154494-2		144082-3
036	Bearing Retainer 14-23	285707-1	285026-5(N/A)	285030-4

Above parts are completely interchangeable as a set.

