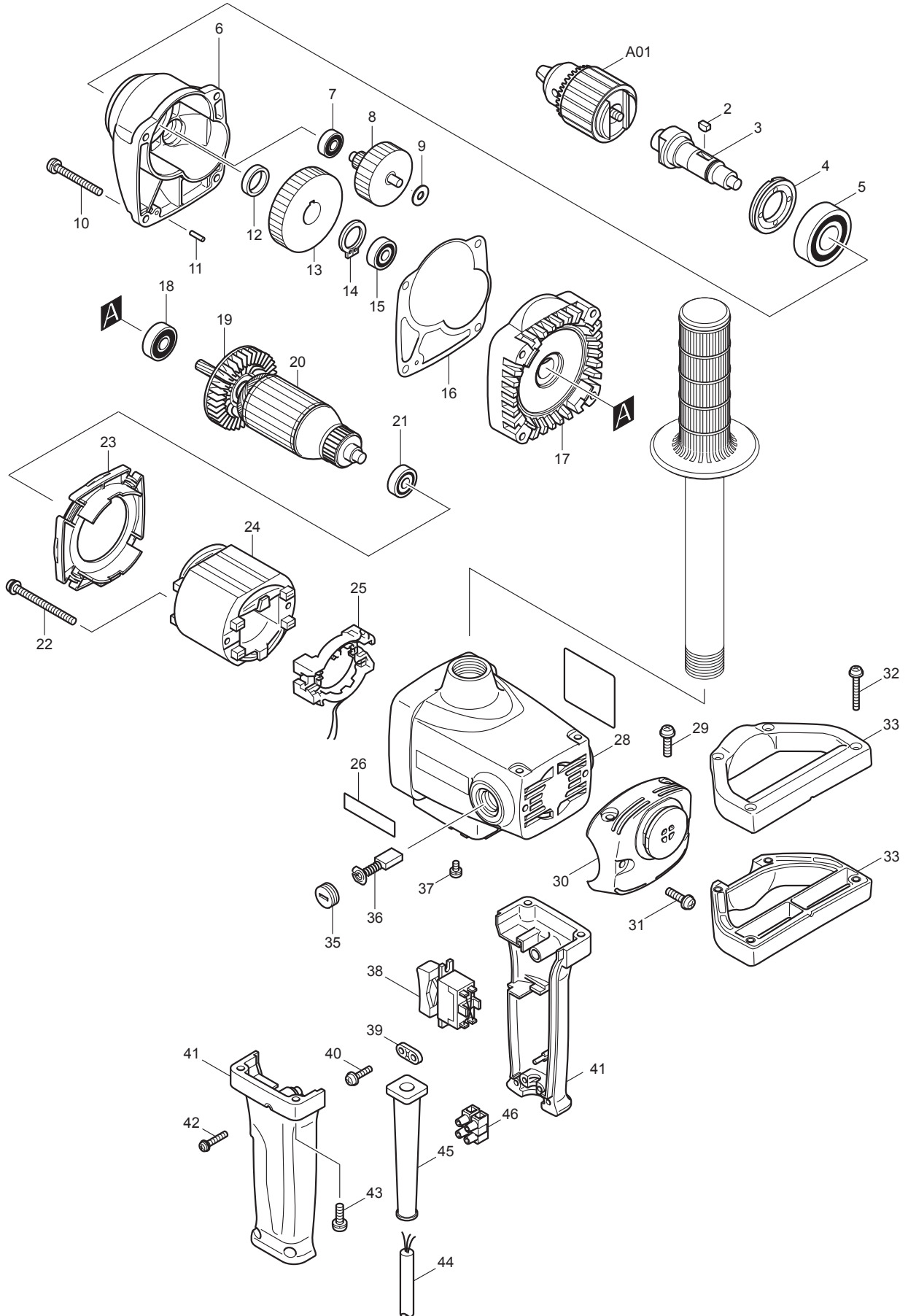




03 - 2010

DS4000

1/2" DRILL, REVERSING



Item No	Type	Sub	Part No	Description	Qty	Unit
002			254011-9	WOODRUFF KEY 4	1	PC.
003			324317-0	SPINDLE	1	PC.
004			285821-3	BEARING RETAINER 22-41	1	PC.
005			211256-2	BALL BEARING 6203LLB	1	PC.
006			317612-5	GEAR HOUSING	1	PC.
007	2		210016-9	BALL BEARING 698ZZ	1	PC.
008	1		226149-0	GEAR COMPLETE 7-53	1	PC.
	2		226150-5	GEAR COMPLETE 7-53	1	PC.
009			253804-1	FLAT WASHER 6	1	PC.
010	2		265013-0	+ PAN HEAD SCREW M5X45	4	PC.
011			256157-7	PIN 3	1	PC.
012			257253-4	RING 17	1	PC.
013			226563-0	HELICAL GEAR 43	1	PC.
014			961057-5	RETAINING RING S-17	1	PC.
015			211034-0	BALL BEARING 608	1	PC.
016			417976-8	GASKET	1	PC.
017			153425-8	GEAR HOUSING COVER COMPLETE	1	PC.
018	2		210042-8	BALL BEARING 629LLB	1	PC.
020			513536-5	ARMATURE ASS'Y 115V	1	PC.
		INC.		Item No. 18,19,21		
021			211031-6	BALL BEARING 608LLB	1	PC.
022			911681-4	PAN HEAD SCREW M5X60	2	PC.
023			417977-6	BAFFLE PLATE	1	PC.
024			634481-2	FIELD 115V	1	PC.
025			638194-7	SUPPORT COMPLETE	1	PC.
026			819063-3	MAKITA LABEL	1	PC.
027			850134-7	NAME PLATE DS4000	1	PC.
028			183537-3	MOTOR HOUSING	1	PC.
		INC.	263002-9	RUBBER PIN 4	1	PC.
		INC.	643708-9	BRUSH HOLDER 5-11	2	PC.
		INC.	681664-5	HOLDER RING	2	PC.
		INC.	418070-9	CAP	1	PC.
		INC.		Item No. 26		
029			911233-1	PAN HEAD SCREW M5X20	2	PC.
030			418071-7	HANDLE BASE	1	PC.
031			911233-1	PAN HEAD SCREW M5X20	2	PC.
032			911153-9	PAN HEAD SCREW M4X28	4	PC.
033	2		183109-4	HANDLE SET	1	SET
035	2		643515-0	HOLDER CAP 7-11	2	PC.
036	2		194996-6	CARBON BRUSH CB-303 2PC/SET (W/ ORIGIN)	1	SET
037			652014-1	PAN HEAD SCREW M4X8	1	PC.
038			651564-3	SWITCH SL220SD-4	1	PC.
039			687001-1	STRAIN RELIEF	1	PC.
040			911133-5	PAN HEAD SCREW M4X18	2	PC.
041	2		183583-6	HANDLE SET	1	SET
042			911143-2	PAN HEAD SCREW M4X22	3	PC.
043			911221-8	PAN HEAD SCREW M5X16	4	PC.
044			664723-0	CORD W/PLUG 3P-16-2.5M, SJ	1	PC.
045			682573-1	CORD GUARD 10	1	PC.
046			654531-7	TERMINAL BLOCK 2P	1	PC.
048			421297-2	DUST COVER (Added)	1	PC.
049			410102-8	KEY HOLDER	1	PC.
100			652008-6	P.H. SCREW M3.5X7	4	PC.
101			654037-5	INSULATED EYE TERMINAL FT1.25-M3	4	PC.
102			654002-4	TERMINAL 1.25-M4	1	PC.
103			683682-9	VARNISHED POLYESTER TUBE 14946	1	PC.
104			654020-2	RING TERMINAL	2	PC.
105			654501-6	CONNECTOR P-1.25	2	PC.
109			241850-6	FAN 60	1	PC.

Item No	Type	Sub	Part No	Description	Qty	Unit
E01			892672-3	CAUTION LABEL	1	PC.
ACCESSORIES						
A01			193319-5	DRILL CHUCK S-13	1	PC.
A01		INC.	266280-0	HEX. SOCKET HEAD BOLT M6X25	1	PC.
A01		INC.	267763-3	NORD-LOCK WASHER 6	2	PC.
A02			763434-5	CHUCK KEY 10	1	PC.
A03			273657-2	GRIP 27	1	PC.

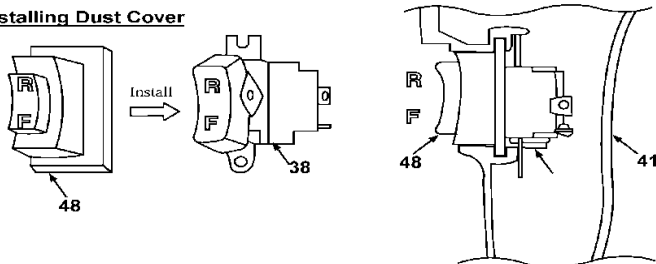
SERVICE CHANGES

1. Addition of Dust Cover

Item No.	Description	Type 1	Type 2
41	Handle Set	181655-1	183583-6
48	Dust Cover	-----	421297-2

Above parts are completely interchangeable as a set.

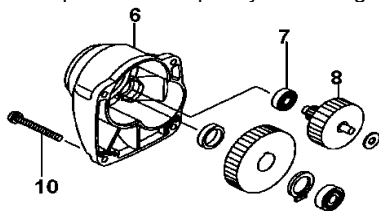
Installing Dust Cover



2. Changes on P.H.Screw, Ball Bearing and Gear Com.

Item No.	Description	Type 1	Type 2
7	Ball Bearing	211023-5	210016-9
8	Gear Com.	226149-0	226150-5
10	P.H.Screw	911266-6	265013-0

Above parts are completely interchangeable as a set.



NOTE:

When installing Gear Housing, be sure to fasten new (+) P.H. Screw M5X45 with 5.4 - 6.4 N.m (55-65 Kgf.Cm) 5.4 - 6.4 N.m (55-65 Kgf.Cm) (47.79-56.65 lbf.in) of Torque.

When repairing, always use new Ball Bearing 698ZZ (Item 7 - Type 2) and Gear Com. 7-53 (Item 8 Type 2).

First apply about 1g of Seal Lubricant No. 101(P/N 042010-1A) to spiral grooves of Gear Com. 7-53.

Then press Ball Bearing 698ZZ onto Gear Com. 7-53.