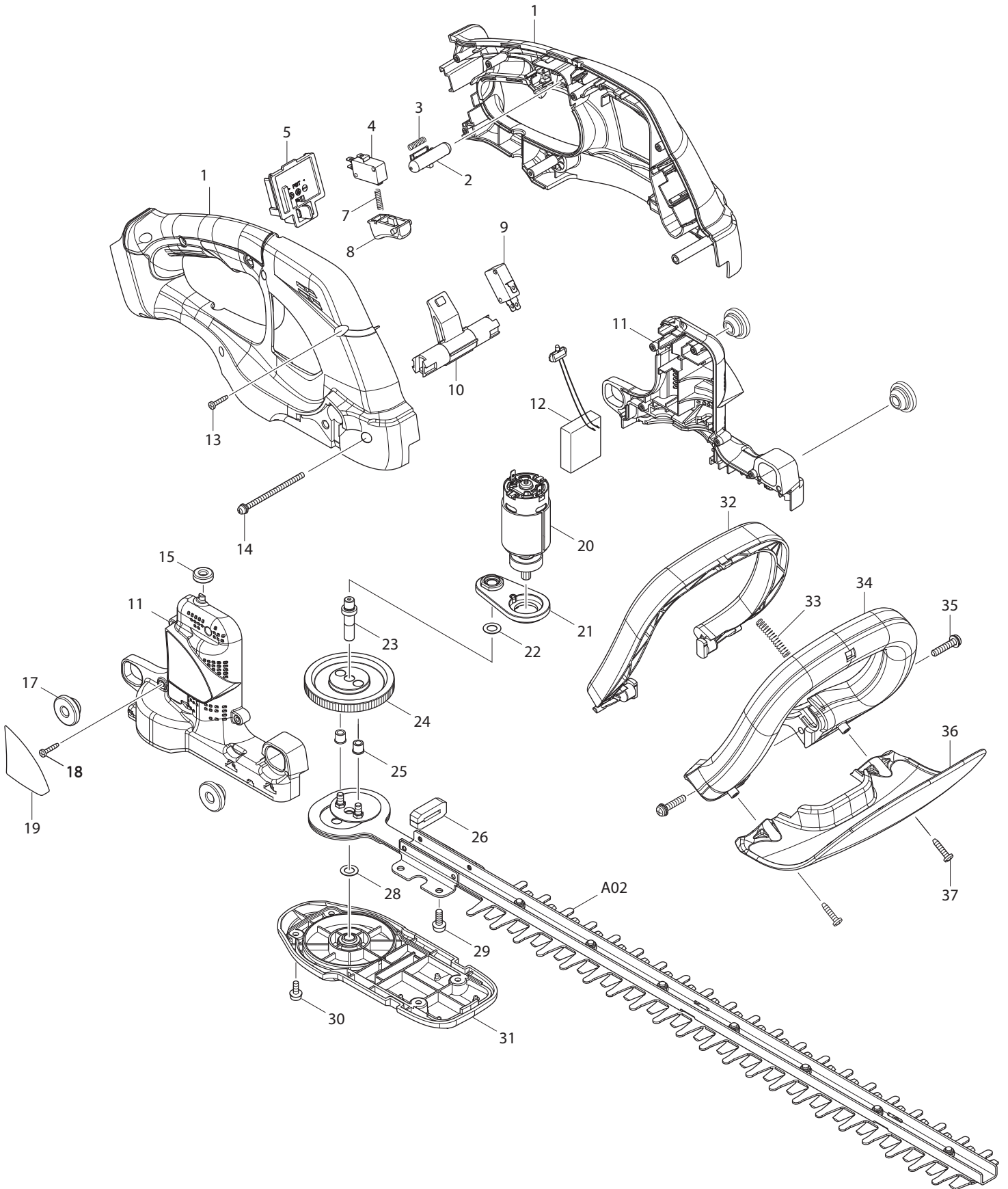




04 - 2014  
DUH523Z / DUH523SF  
18V 22" HEDGE TRIMMER



Item No	Type	Part No	Description	Qty	Unit
001		187286-4	HANDLE SET	1	SET
002		452438-9	LOCK OFF BUTTON	1	PC.
003		231473-8	COMPRESSION SPRING 4	1	PC.
004		651852-8	SWITCH V-15-1A5	1	PC.
005		643852-2	TERMINAL	1	PC.
007		231473-8	COMPRESSION SPRING 4	1	PC.
008		417564-1	SWITCH LEVER	1	PC.
009		651852-8	SWITCH V-15-1A5	1	PC.
010		452681-0	SWITCH ARM	1	PC.
011		187285-6	MOTOR HOUSING SET	1	SET
012		632A82-6	CONTROLLER UNIT	1	PC.
013		266429-2	TAPPING SCREW 3X16	6	PC.
014		911193-7	PAN HEAD SCREW M4X65	1	PC.
015		424195-9	RUBBER RING 6	1	PC.
017		424394-3	RUBBER RING 8	4	PC.
018		266429-2	TAPPING SCREW 3X16	5	PC.
019		815U45-9	NAME PLATE F/DUH523	1	PC.
020		629930-2	DC MOTOR	1	PC.
021		141211-9	BEARING BOX COMPLETE	1	PC.
022		253215-0	FLAT WASHER 8	1	PC.
023		326034-8	SPINDLE	1	PC.
024		227281-3	SPUR GEAR 93	1	PC.
025		262570-9	NYLON SLEEVE 5	2	PC.
026		423417-4	DUST GUARD	1	PC.
028		253215-0	FLAT WASHER 8	1	PC.
029		911218-7	PAN HEAD SCREW M5X14	4	PC.
030		911113-1	PAN HEAD SCREW M4X10	4	PC.
031		453317-4	UNDER COVER	1	PC.
032		452678-9	SWITCH LEVER B	1	PC.
033		234261-2	COMPLESSION SPRING 5	1	PC.
034		452682-8	FRONT GRIP	1	PC.
035		911243-8	PAN HEAD SCREW M5X25	2	PC.
036		142733-2	PROTECTOR COMPLETE	1	PC.
	INC.	804F56-9	CAUTION LABEL	1	PC.
	INC.	804F57-7	CAUTION LABEL	1	PC.
037		265995-6	TAPPING SCREW 4X18	2	PC.
<b><u>ACCESSORIES</u></b>			<b>- See catalogue or visit <a href="http://www.makita.ca">www.makita.ca</a> for more optional accessories -</b>		
A01		453723-3	BLADE COVER	1	PC.
A02		195846-8	SHEAR BLADE COMPLETE SET	1	PC.
	INC.	188605-7	OIL VESSEL SET	1	PC.
	INC.	262570-9	NYLON SLEEVE 5	2	PC.
A03		195050-9	CHIP RECEIVER ASSEMBLY SET	1	PC.
A04		450128-8	BATTERY COVER	1	PC.
A05		---	18V LI-ION BATTERY		
A06		---	BATTERY CHARGER		