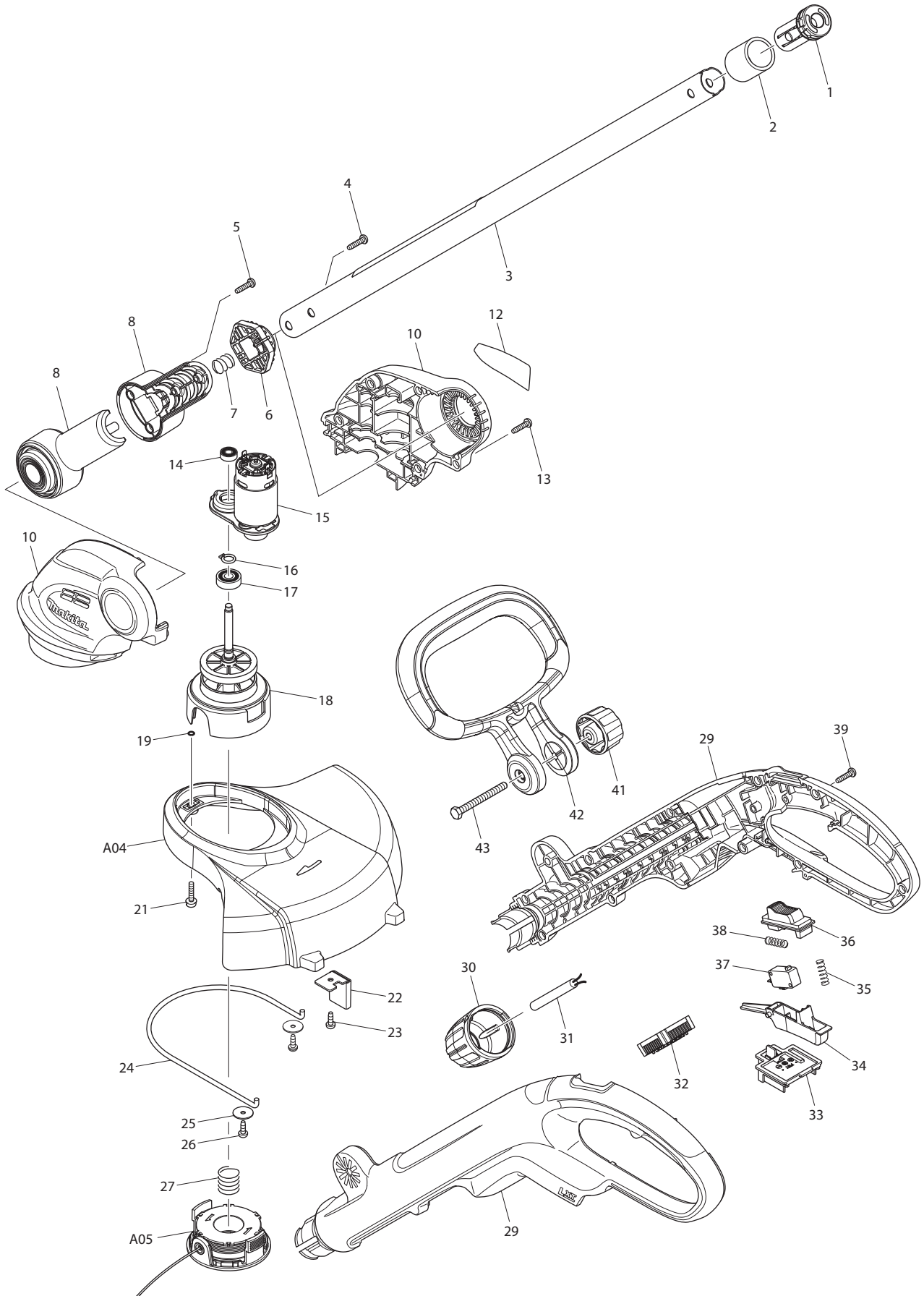




05 - 2014  
DUR181Z / DUR181SF  
18V LINE TRIMMER 10-1/4"



Item No	Type	Part No	Description	Qty	Unit
001		453357-2	PIPE CAP	1	PC.
002		422089-2	RUBBER SLEEVE 25	1	PC.
003	2	142740-5	PIPE25 COMPLETE - N/A	1	PC.
	INC.	804H39-1	CAUTION LABEL	1	PC.
004		265995-6	TAPPING SCREW 4X18	2	PC.
005		265995-6	TAPPING SCREW 4X18	2	PC.
006		451896-6	LOCK OFF BUTTON B	1	PC.
007		231113-8	COMPRESSION SPRING 12	1	PC.
008		188870-8	PIPE HOLDER SET	1	SET
010		187413-3	MOTOR HOUSING SET	1	SET
	INC.	263002-9	RUBBER PIN 4	2	PC.
	INC.	263005-3	RUBBER PIN 6	2	PC.
	INC.	931102-0	HEX. NUT M4	2	PC.
012		815V40-5	NAME PLATE F/DUR181	1	PC.
013		265995-6	TAPPING SCREW 4X18	5	PC.
014		210006-2	BALL BEARING 696ZZ	1	PC.
015		629932-8	DC MOTOR	1	PC.
016		961004-6	RETAINING RING S-8	1	PC.
017		211032-4	BALL BEARING 608ZZ	1	PC.
018		141338-5	GEAR SHAFT COMPLETE	1	PC.
019		213023-1	O RING 4	2	PC.
021		911139-3	PAN HEAD SCREW M4X20 WG	2	PC.
022		123169-4	CORD CUTTER ASSEMBLY	1	PC.
023		266020-6	TAPPING SCREW 4X12	1	PC.
024		326128-9	WIRE GUARD	1	PC.
025		267071-2	FLAT WASHER 4	2	PC.
026		266020-6	TAPPING SCREW 4X12	2	PC.
027		231352-0	COMPRESSION SPRING 17	1	PC.
029		187416-7	HANDLE SET	1	SET
	INC.	263005-3	RUBBER PIN 6	2	PC.
030		453344-1	LOCK SLEEVE	1	PC.
031		699058-0	POWER SUPPLY CORD UNIT	1	PC.
032		620112-9	CONTROLLER	1	PC.
033		643852-2	TERMINAL	1	PC.
034		453338-6	SWITCH LEVER	1	PC.
035		233068-3	COMPRESSION SPRING 6	1	PC.
036		453339-4	LOCK OFF LEVER	1	PC.
037		651891-8	SWITCH V-15-3A6	1	PC.
038		233068-3	COMPRESSION SPRING 6	1	PC.
039		265995-6	TAPPING SCREW 4X18	11	PC.
041		264072-1	THUMB NUT M6	1	PC.
042		453340-9	FRONT GRIP	1	PC.
043		921382-6	HEX. BOLT M6X60	1	PC.
D01		654079-9	INSULATED RECEPTACLE DF1.25	1	PC.
D02		654510-5	INSULATED CONNECTOR 5.5-SD	2	PC.
<b><u>ACCESSORIES</u></b>					
A01		125516-5	BAND ASSEMBLY(SHOULDER BELT)	1	PC.
A02		195246-2	SAFETY GOGGLE	1	PC.
A03	1	197472-9	NYLON CORD, SPIRAL DIA 2.0MMX15M	1	PC.
	2	195864-6	NYLON CODE 1.65MM-15M SET	1	PC.
		T-03551	NYLON CORD, 40 LOOP ULTRA .080" GREEN	1	PC.
A04		453353-0	PROTECTIVE GUARD	1	PC.
A05	2	195858-1	BUMP&FEED SPOOL SET (WITH 1.65MMX8M NYLON CORD)	1	PC.
A06		450128-8	BATTERY CASE	1	PC.
A07		---	18V LI-ION BATTERY		
A08		---	BATTERY CHARGER		