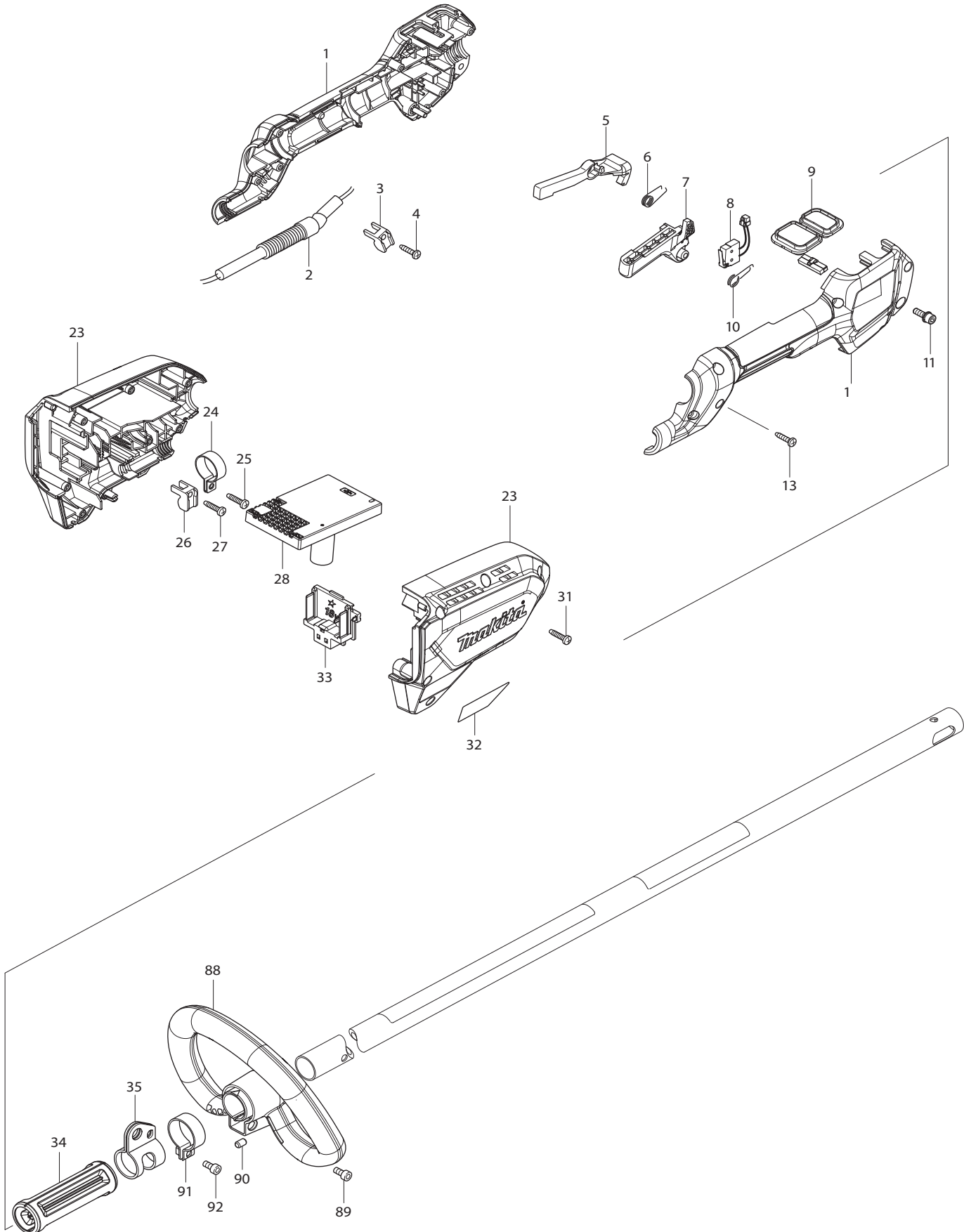
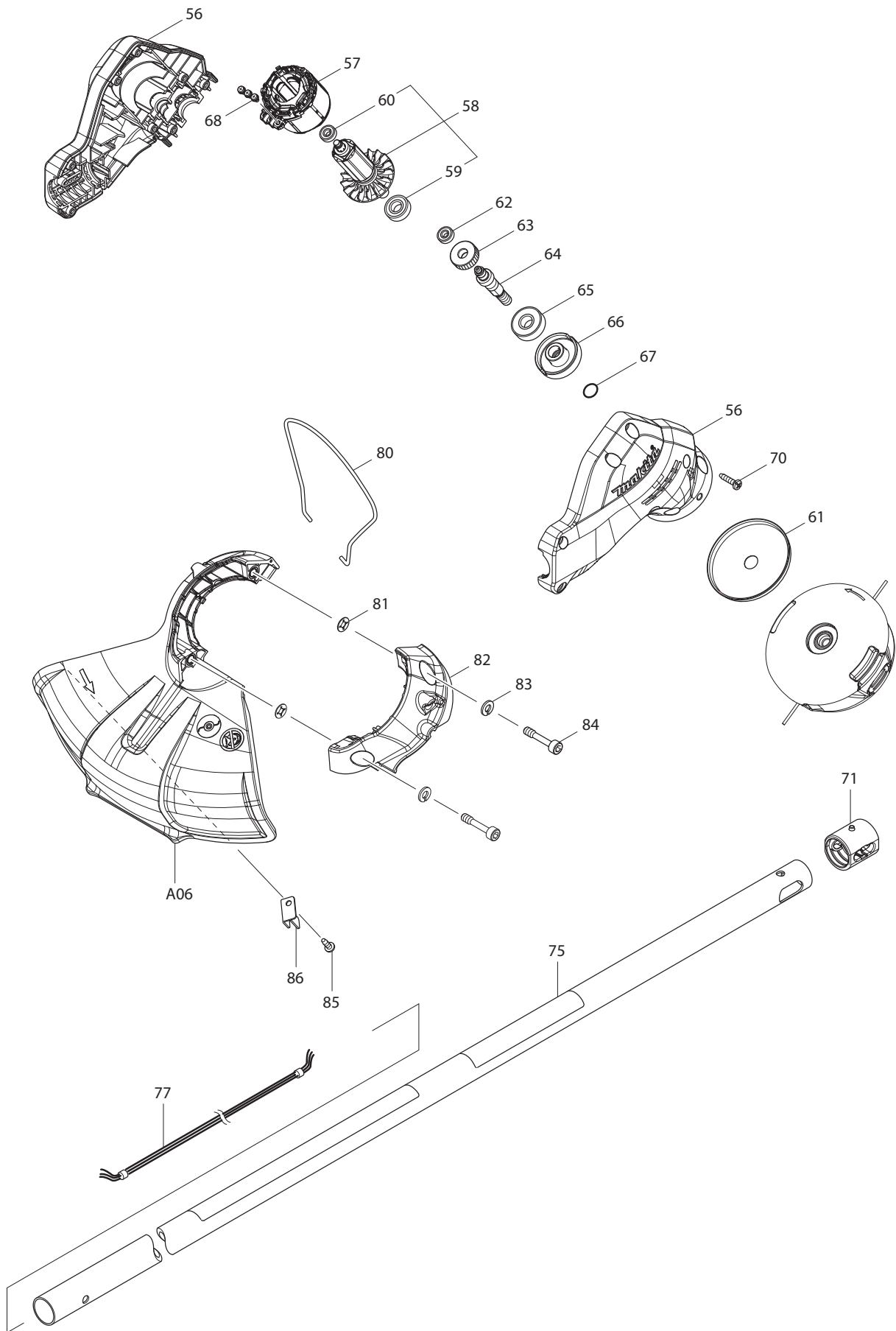




12 - 2016
DUR187LZ
18V LXT Brushless Line Trimmer





Item N	Type	Sub	Part No	Description	Qty	Unit
001			183A19-1	GRIP SET	1	SET
		INC.	931202-6	HEX NUT M5	1	PC.
002			699085-7	POWER SUPPLY CORD UNIT	1	PC.
003			687260-7	STRAIN RELIEF	1	PC.
004			266326-2	TAPPING SCREW M4X18	1	PC.
005			455629-1	LOCK OFF LEVER	1	PC.
006			233621-5	TORSION SPRING 9	1	PC.
007			455625-9	SWITCH LEVER	1	PC.
008			632E26-0	SWITCH UNIT	1	PC.
009			144371-6	SUB CONTROLLER COMPLETE	1	PC.
010			233612-6	TORSION SPRING 10	1	PC.
011			922228-9	HSH BOLT M5X18 W/WASHER	1	PC.
013			266326-2	TAPPING SCREW M4X18	6	PC.
023			183F35-3	HOUSING SET	1	SET
		INC.	263005-3	RUBBER PIN 6	2	PC.
024			346248-3	CLAMP 24	1	PC.
025			266326-2	TAPPING SCREW M4X18	1	PC.
026			687260-7	STRAIN RELIEF	1	PC.
027			266326-2	TAPPING SCREW M4X18	1	PC.
028			620642-0	CONTROLLER	1	PC.
031			266326-2	TAPPING SCREW M4X18	6	PC.
032			852X86-2	NAME PLATE F/DUR187L	1	PC.
033			644809-6	TERMINAL	1	PC.
034			451601-1	SPACER 24	1	PC.
035			347116-3	HANGER	1	PC.
056			183F18-3	MOTOR HOUSING SET	1	SET
057			629248-1	STATOR	1	PC.
058			519429-4	ROTOR ASSY	1	PC.
		INC.		Item No. 59,60		
059			210049-4	BALL BEARING 609ZZ	1	PC.
060			211157-4	BALL BEARING 695ZZ	1	PC.
061			346857-8	GUARD	1	PC.
062			211157-4	BALL BEARING 695ZZ	1	PC.
063			221492-2	HELICAL GEAR 26	1	PC.
064			326924-5	CUTTER SHAFT	1	PC.
065			210059-1	BALL BEARING 6000DDW	1	PC.
066			144512-4	RECEIVE WASHER COMPLETE	1	PC.
		INC.		Item No. 67		
067			213055-8	O RING 10	1	PC.
068			652069-6	FLAT HEAD SCREW M3X6	3	PC.
070			266326-2	TAPPING SCREW M4X18	8	PC.
071			424567-8	RUBBER SLEEVE 24	1	PC.
075			144412-8	PIPE COMPLETE B	1	PC.
		INC.	819312-8	MAKITA LOGO LABEL	1	PC.
		INC.	812D08-4	CAUTION LABEL	1	PC.
077			699090-4	POWER SUPPLY CORD UNIT	1	PC.
080			326348-5	WIRE GUARD	1	PC.
081			413143-3	WASHER	2	PC.
082			454641-8	PROTECTIVE GUARD COVER	1	PC.
083	2		253428-3	SPRING WASHER 6	2	PC.
084			266579-3	HEX SOCKET HEAD BOLT M6X30	2	PC.
085	2		266427-6	* TAPPING SCREW M4X12	2	PC.
086	1		346725-5	* CUTTER	1	PC.
	2		347274-5	* CUTTER	1	PC.
088	1		456675-7	LOOP HANDLE 24	1	PC.
	2		457937-6	LOOP HANDLE 24	1	PC.
089			922212-4	HEX SOCKET HEAD BOLT M5X12	1	PC.

Item N	Type	Sub	Part No	Description	Qty	Unit
090			263005-3	RUBBER PIN 6	1	PC.
091			347011-7	PIPE CLAMP 29	1	PC.
092			922212-4	HEX SOCKET HEAD BOLT M5X12	1	PC.

ACCESSORIES

- Visit www.makita.ca for more accessories information -

A01			198385-7	BUMP&FEED 95-M8L TRIMMER HEAD ASSY	1	PC.
A02			125516-5	BAND ASSEMBLY (SHOULDER HARNESS)	1	PC.
A03			783202-0	HEX WRENCH 4	1	PC.
A04			783217-7	HEX WRENCH 5	1	PC.
A05			831304-7	ACCESSORY BAG	1	PC.
A06			457324-9	* PROTECTIVE GUARD	1	PC.
A07			-----	18V LI-ION BATTERY		
A08			-----	BATTERY CHARGER		
A09			-----	LI-ION BATTERY ACCESSORIES		
A10	1		197472-9	NYLON CORD, SPIRAL DIA 2.0MMX15M	1	PC.
	2		T-03551	NYLON CORD, 40 LOOP ULTRA .080" GREEN	1	PC.

SERVICE CHANGE

1. Change of Cutter and Protector

(T/I# B7193)

Item No.	Description	Type 1	Type 2
85	Tapping Screw M4X12	266427-6 (1 pc.)	266427-6 (2 pc.)
86	Cutter	346725-5	347274-5
A06	Protective Guard	457324-9	

Above parts are completely interchangeable as a set.

