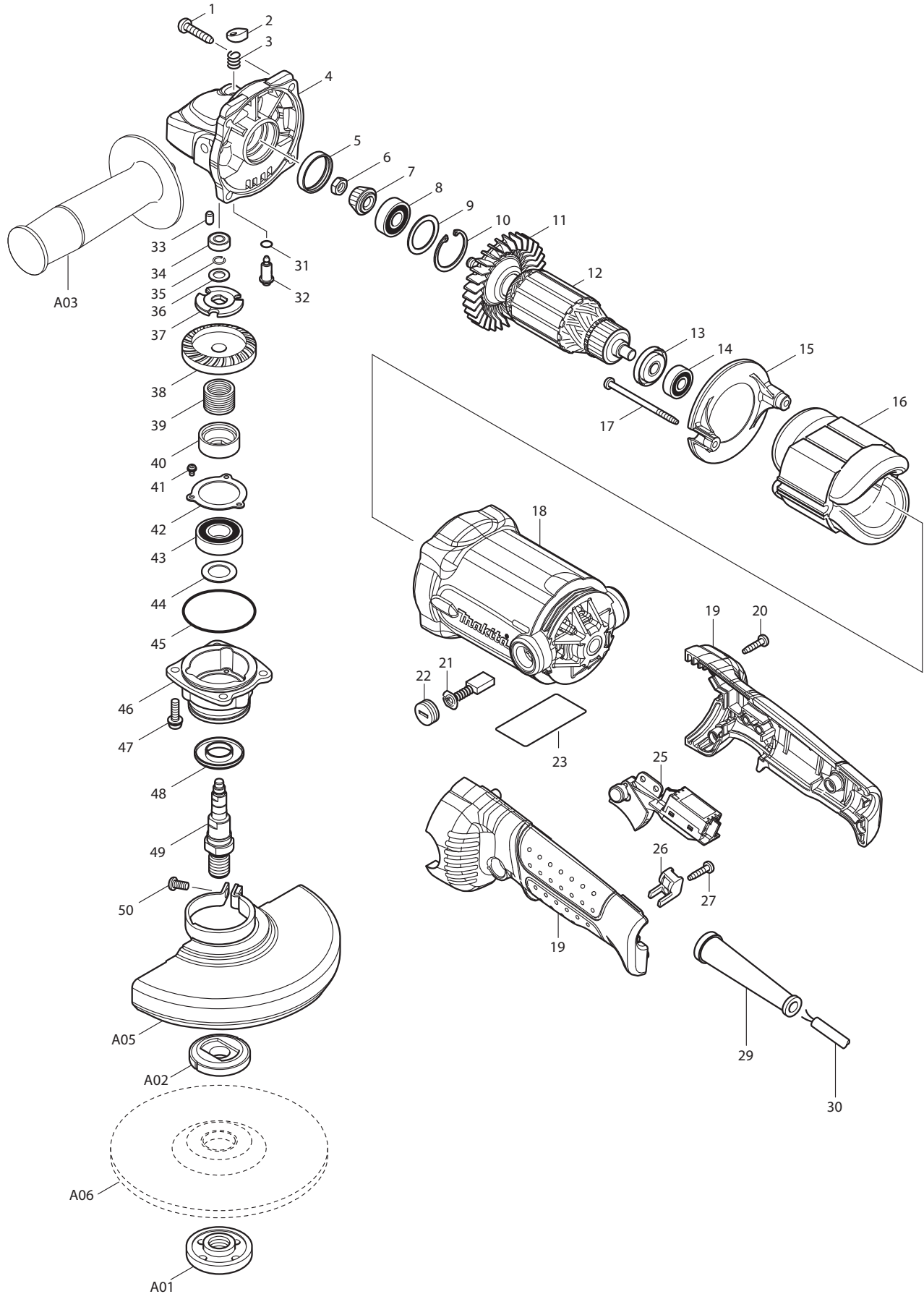




06 - 2010  
GA6020Y  
6" GRINDER, SJS, LOCK-OFF



| Item No | Type | Sub  | Part No  | Description                                  | Qty | Unit |
|---------|------|------|----------|--|-----|------|
| 001     | 2    |      | 266459-3 | TAPPING SCREW 5X25                           | 4   | PC.  |
| 002     |      |      | 417771-6 | PIN CAP                                      | 1   | PC.  |
| 003     |      |      | 234057-1 | COMPRESSION SPRING 8                         | 1   | PC.  |
| 004     |      |      | 318158-4 | GEAR HOUSING                                 | 1   | PC.  |
| 005     |      |      | 262132-3 | RUBBER RING 27                               | 1   | PC.  |
| 006     |      |      | 264010-3 | HEX.NUT M7                                   | 1   | PC.  |
| 007     |      |      | 227520-1 | SPIRAL BEVEL GEAR 11                         | 1   | PC.  |
| 008     | 2    |      | 210059-1 | BALL BEARING 6000DDW (Nylon)                 | 1   | PC.  |
| 009     |      |      | 267352-4 | FLAT WASHER 22                               | 1   | PC.  |
| 010     |      |      | 962107-9 | RETAINING RING (INT) R-30                    | 1   | PC.  |
| 011     |      |      | 240094-5 | FAN 70                                       | 1   | PC.  |
| 012     |      |      | 513706-6 | ARMATURE ASS'Y 115V                          | 1   | PC.  |
|         |      | INC. |          | Item No. 11,13,14                            | 1   | PC.  |
| 013     |      |      | 681644-1 | INSULATION WASHER                            | 1   | PC.  |
| 014     |      |      | 210005-4 | BALL BEARING 608DDW                          | 1   | PC.  |
| 015     |      |      | 419961-7 | BAFFLE PLATE                                 | 1   | PC.  |
| 016     | 2    |      | 520057-0 | * FIELD ASS'Y 115V                           | 1   | PC.  |
|         |      | INC. | 654020-2 | * RING TERMINAL                              | 1   | PC.  |
|         |      | INC. | 654555-3 | * CONNECTOR 34130                            | 1   | PC.  |
| 017     |      |      | 266340-8 | TAPPING SCREW 4X65                           | 2   | PC.  |
| 018     | 2    |      | 158364-7 | MOTOR HOUSING COMPLETE                       | 1   | PC.  |
|         |      | INC. | 643708-9 | BRUSH HOLDER 5-11                            | 2   | PC.  |
|         |      | INC. | 810341-4 | CAUTION LABEL                                | 1   | PC.  |
| 019     |      |      | 188291-4 | HANDLE SET                                   | 1   | SET  |
| 020     |      |      | 266326-2 | TAPPING SCREW 4X18                           | 4   | PC.  |
| 021     | 2    |      | 194998-2 | CARBON BRUSH CB-311 2PC/SET (W/ ORIGIN)      | 1   | SET  |
| 022     |      |      | 643750-0 | BRUSH HOLDER CAP                             | 2   | PC.  |
| 023     |      |      | 863618-6 | NAME PLATE F/GA6020Y                         | 1   | PC.  |
| 025     |      |      | 651197-4 | SWITCH TG933TLB-1                            | 1   | PC.  |
| 026     |      |      | 687260-7 | STRAIN RELIEF                                | 1   | PC.  |
| 027     |      |      | 266326-2 | TAPPING SCREW 4X18                           | 1   | PC.  |
| 029     |      |      | 682505-8 | CORD GUARD 10-90                             | 1   | PC.  |
| 030     |      |      | 664265-4 | CORD WITH PLUG 2P-16-2.5M SJ                 | 1   | PC.  |
| 031     |      |      | 213977-2 | O RING 7                                     | 1   | PC.  |
| 032     |      |      | 256505-0 | SHOULDER PIN 5                               | 1   | PC.  |
| 033     |      |      | 263002-9 | RUBBER PIN 4                                 | 1   | PC.  |
| 034     |      |      | 210006-2 | BALL BEARING 696ZZ                           | 1   | PC.  |
| 035     |      |      | 233926-3 | RING SPRING 7                                | 1   | PC.  |
| 036     |      |      | 253835-0 | FLAT WASHER 8                                | 1   | PC.  |
| 037     | 2    |      | 267811-8 | LOCK WASHER                                  | 1   | PC.  |
| 038     |      |      | 227522-7 | SPIRAL BEVEL GEAR 35B                        | 1   | PC.  |
| 039     | 2    |      | 234356-1 | LOCK SPRING 16                               | 1   | PC.  |
| 040     |      |      | 324833-2 | LOCK SLEEVE                                  | 1   | PC.  |
| 041     |      |      | 911003-8 | PAN HEAD SCREW M3X6                          | 3   | PC.  |
| 042     |      |      | 285728-3 | BEARING RETAINER 39                          | 1   | PC.  |
| 043     | 2    |      | 211236-8 | BALL BEARING 6002DDW                         | 1   | PC.  |
| 044     |      |      | 253853-8 | FLAT WASHER 15                               | 1   | PC.  |
| 045     |      |      | 213624-5 | O RING 48                                    | 1   | PC.  |
| 046     | 2    |      | 318299-6 | * BEARING BOX                                | 1   | PC.  |
|         | 3    |      | 318332-4 | * BEARING BOX                                | 1   | PC.  |
| 047     |      |      | 265131-4 | PAN HEAD SCREW M5X18                         | 4   | PC.  |
| 048     |      |      | 345464-4 | LABYRINTH RING                               | 1   | PC.  |
| 049     |      |      | 324790-4 | SPINDLE A                                    | 1   | PC.  |
| 050     | 1    |      | 265103-9 | PAN HEAD SCREW M5X14(F/165488-2)             | 1   | PC.  |
|         | 2    |      | 251391-4 | * PAN HEAD SCREW M5X16(F/135172-3, 135110-5) | 1   | PC.  |
|         | 3    |      | 265180-1 | * PAN HEAD SCREW M5X16(F/123146-6)           | 1   | PC.  |

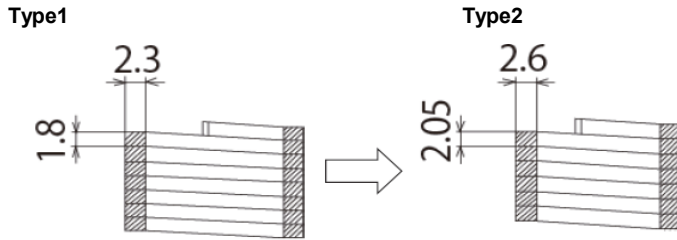
| Item No            | Type  | Sub  | Part No  | Description  | Qty | Unit |
|--------------------|-------|------|--|--|-----|------|
| D01                |       |      | 652044-2   | (+) BIND SCREW M3.5 X 5.0                                      | 4   | PC.  |
| D02                | 1     |      | 654037-5   | INSULATED EYE TERMINAL FT1.25-M3(TYPE 1) (F/Wiring)            | 3   | PC.  |
|                    | 2     |      | 654117-7   | * INSULATING TERMINAL (TYPE 2) (F/Wiring)                      | 3   | PC.  |
| D03                |       |      | 654077-3   | INSULATED TERMINAL FV2-M3 (F/Wiring)                           | 2   | PC.  |
| E01                |       |      | 654532-5   | TERMINAL BLOCK 1P  | 1   | PC.  |
| <b>ACCESSORIES</b> |       |      | <b>- See catalogue or visit <a href="http://www.makita.ca">www.makita.ca</a> for more optional accessories -</b> |  |     |      |
| A01                |       |      | 224568-4   | LOCK NUT 5/8-45  | 1   | PC.  |
|                    | Opt.  |      | 224574-9   | LOCK NUT 5/8-48 (FOR CUT-OFF)                                  | 1   | PC.  |
| A02                |       |      | 224361-6   | INNER FLANGE 82  | 1   | PC.  |
|                    | Opt.  |      | 224390-9   | INNER FLANGE 48 (FOR CUT-OFF)                                  | 1   | PC.  |
| A03                | 1     |      | 153504-2   | GRIP 36 COMPLETE   | 1   | PC.  |
|                    | 2     |      | 158237-4   | GRIP 36 COMPLETE   | 1   | PC.  |
| A04                |       |      | 782424-9   | LOCK NUT WRENCH 28   | 1   | PC.  |
| A05                | 2     |      | 135172-3   | TOOLLESS WHEEL COVER ASSY F/6" (H:55MM)                        | 1   | PC.  |
|                    |       | INC. |  | Item No. 50  |     |      |
|                    | 3     |      | 135110-5   | * TOOLLESS WHEEL COVER ASSY F/6" (H:43.5MM)                    | 1   | PC.  |
|                    |       | INC. |  | * Item No. 50  |     |      |
|                    | 4     |      | 123146-6   | * TOOLLESS WHEEL COVER ASSY F/6" (H:43.5MM)                    | 1   | PC.  |
|                    |       | INC. |  | * Item No. 50  |     |      |
|                    |       | INC. | 213009-5   | * O RING 4 (Added)   | 1   | PC.  |
|                    |       | INC. | 265103-9   | PH SCREW M5X14   | 1   | PC.  |
|                    | Opt.2 |      | 135192-7   | * CONVENTIONAL WHEEL COVER ASSY 6"                             | 1   | PC.  |
|                    |       | INC. | 265180-1   | PH SCREW M5X16   | 1   | PC.  |
| A06                | 1     |      | A-80846  | 6" DEPRESSED CENTER WHEEL GRIT 36                              | 1   | PC.  |
|                    | 2     |      | D-29309  | 6" DEPRESSED CENTER WHEEL GRIT A24R                            | 1   | PC.  |
|                    | 2     |      | A-95978-25   | 6" D.C.G.W WA36N 25/PK   | 1   | SET  |
|                    | Opt.  |      | -----  | DEPRESSED CENTER GRINDING WHEELS                               |     |      |
| A08                | 2     |      | 194514-0   | VIBRATION PROOF GRIP F/4" - 6", PKG                            | 1   | PC.  |
| A09                | 2     |      | 193048-0   | SANDING LOCK NUT 5/8-48  | 1   | PC.  |
| A10                |       |      | 743016-9   | RUBBER PAD 125 F/6"  | 1   | PC.  |
| A11                |       |      | 194482-7   | DUST COVER ATTACHMENT  | 1   | PC.  |
| A12                |       |      | 194483-5   | LOOP HANDLE SET  | 1   | SET  |
|                    |       | INC. | 416256-9   | LOOP HANDLE  | 1   | PC.  |
|                    |       | INC. | 450189-8   | SPACER A   | 1   | PC.  |
|                    |       | INC. | 450190-3   | SPACER B   | 1   | PC.  |
|                    |       | INC. | 783204-6   | HEX WRENCH 6   | 1   | PC.  |
|                    |       | INC. | 922453-2   | HEX. SOCKET SCREW M8X30  | 2   | PC.  |
| A13                | 1     |      | 165486-6   | * CUT OFF WHEEL COVER F/6" (H:45MM) (Use with Screw #251391-4) | 1   | PC.  |
|                    | 2     |      | 165744-0   | CUT OFF WHEEL COVER F/6" (H:50MM) (Use with Screw #251391-4)   | 1   | PC.  |
|                    | 3     |      | 122912-8   | CUT OFF WHEEL COVER F/6" (H:50MM) (Use with Screw #251391-4)   | 1   | PC.  |

**SERVICE CHANGES**

**1. Changes on Lock Spring**

(TI#A5676)

| Item No. | Description    | Type 1   | Type 2   |
|----------|----------------|----------|----------|
| 39       | Lock Spring 16 | 233957-2 | 234356-1 |



**2. Changes on Filed Assy etc.**

(TI#Z12397)

| Item No. | Description                                       | Type 1   | Type 2   |
|----------|---|----------|----------|
| 16       | Field Ass'Y 115V                                  | 525771-3 | 520057-0 |
|          | INC. Ring Terminal                                |          | 654020-2 |
|          | INC. Connector P-1.25 > 34130                     | 654501-6 | 654555-3 |
| D02      | Insulated Term. FK1.25-3M<br>>Insulating Terminal | 654037-5 | 654117-7 |

See Technical Information #Z12397 for Wiring Change Diagram

**3. Changes on Wheel Cover Assembly & Bearing**

(TI#80667, A4621)

(TI#B3256)

| Item No. | Description  | Type 2               | Type 3   | Type 4   |
|----------|--|----------------------|----------|----------|
| 46       | Bearing Box  | 318160-7             | 318299-6 | 318332-4 |
| 50       | Pan Head Screw M5X16   | 251391-4             |          | 265180-1 |
| A05      | Toolless Wheel Cover Ass'y >Toolless<br>Wheel Cover A125 Ass'y | 135172-3             | 135110-5 | 123146-6 |
|          | INC. O ring 4  | -----                |          | 213009-5 |
| A05 Opt. | Conventional Wheel Cover Assy 6"                               | 135169-2 or 135192-7 |          | -----    |
| A13 Opt. | Cut-Off Wheel Guard F/6"                                       | 165486-6 or 165744-0 |          | 122912-8 |

Item no. 50 is a component of A05

Type 3 > Type 4 parts above are interchangeable as a set

