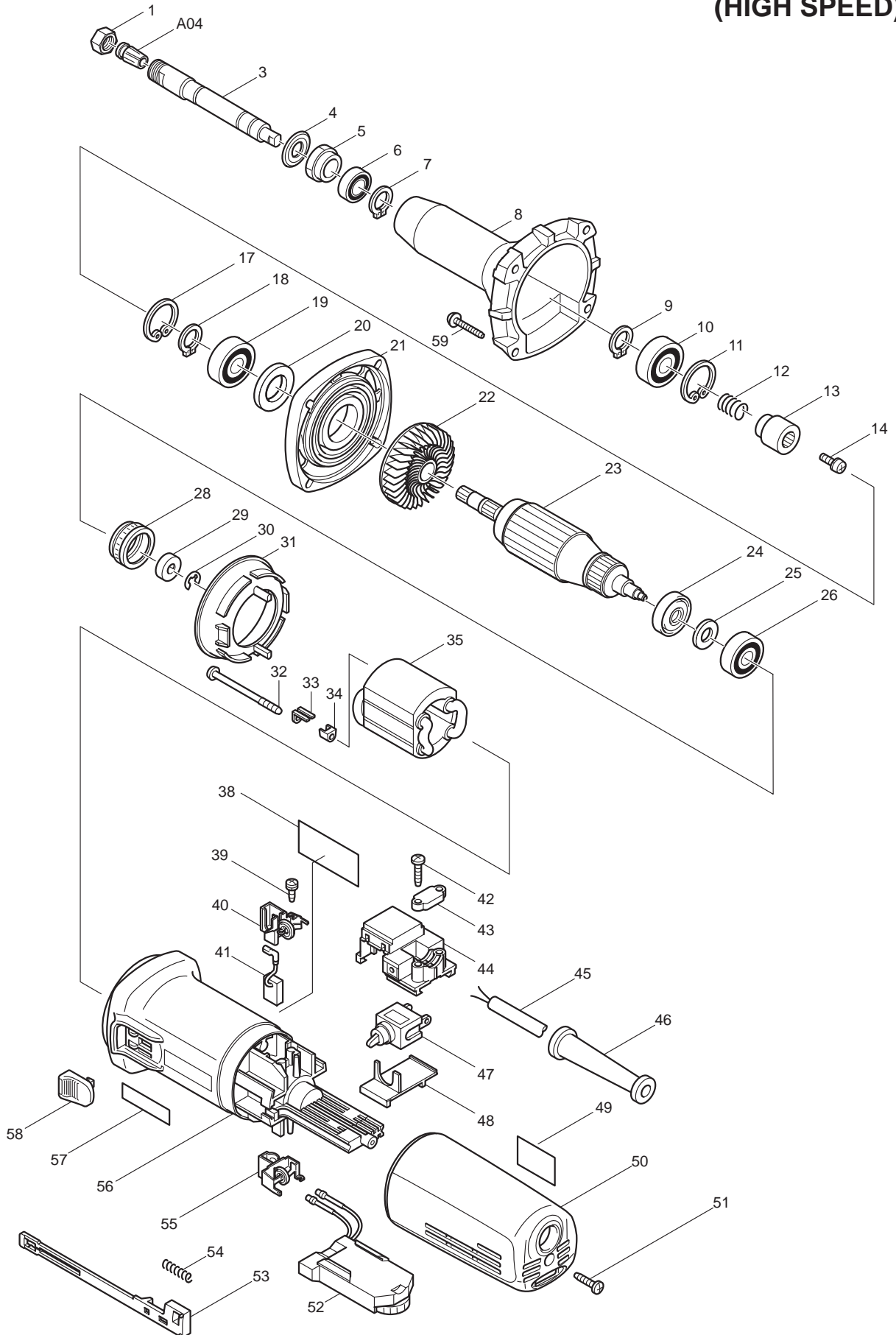




07 - 2010
GD0800C
1/4" DIE GRINDER
(HIGH SPEED)



| Item # | Type | Part No | Description | Qty | Unit |
|--------|------|----------|--|-----|------|
| 001 | | 763645-2 | COLLET NUT | 1 | PC. |
| 003 | | 324042-3 | SPINDLE | 1 | PC. |
| 004 | | 213209-7 | OIL SEAL 16 | 1 | PC. |
| 005 | | 285700-5 | BEARING RETAINER | 1 | PC. |
| 006 | | 211141-9 | BALL BEARING 6901LLB | 1 | PC. |
| 007 | | 961052-5 | RETAINING RING S-12 | 1 | PC. |
| 008 | | 317368-0 | BARREL | 1 | PC. |
| 009 | | 961052-5 | RETAINING RING S-12 | 1 | PC. |
| 010 | 2 | 211148-5 | BALL BEARING 6001ZZ | 1 | PC. |
| 011 | | 962106-1 | RETAINING RING R-28 | 1 | PC. |
| 012 | | 233901-9 | LOCK SPRING 12 | 1 | PC. |
| 013 | | 323989-8 | COUPLING | 1 | PC. |
| 014 | | 265082-1 | PAN HEAD SCREW M4X8 | 1 | PC. |
| 017 | | 962106-1 | RETAINING RING R-28 | 1 | PC. |
| 018 | | 961052-5 | RETAINING RING S-12 | 1 | PC. |
| 019 | 2 | 211148-5 | BALL BEARING 6001ZZ | 1 | PC. |
| 020 | | 253084-9 | FLAT WASHER 12 | 1 | PC. |
| 021 | | 317367-2 | BEARING BOX | 1 | PC. |
| 022 | | 240036-9 | FAN 57 | 1 | PC. |
| 023 | 3 | 518149-7 | * ARMATURE ASS'Y 115V | 1 | PC. |
| | 3 | INC. | * Item No. 22,24-26 | | |
| 024 | | 681656-4 | INSULATION WASHER | 1 | PC. |
| 025 | | 253823-7 | FLAT WASHER 7 | 1 | PC. |
| 026 | | 210023-2 | BALL BEARING 627DDW | 1 | PC. |
| 028 | | 421770-2 | LABYRINTH RUBBER RING 22 | 1 | PC. |
| 029 | | 688117-5 | MAGNET SLEEVE | 1 | PC. |
| 030 | 2 | 259039-2 | SELF LOCK 6 | 1 | PC. |
| 031 | | 413076-2 | BAFFLE PLATE | 1 | PC. |
| 032 | | 266259-1 | TAPPING SCREW 4X60 | 2 | PC. |
| 033 | | 344871-8 | RETAINER | 2 | PC. |
| 034 | | 417237-6 | INSULATION COVER | 2 | PC. |
| 035 | 1 | 626521-0 | * FIELD 115V | 1 | PC. |
| | 2 | 626522-8 | * FIELD 115V | 1 | PC. |
| 038 | | 852410-5 | NAME PLATE F/GD0800C | 1 | PC. |
| 039 | | 266256-7 | TAPPING SCREW PT3X10 | 4 | PC. |
| 040 | | 643760-7 | BRUSH HOLDER (OLD# 643762-3 - N/L/A) | 1 | PC. |
| 041 | 2 | 194999-0 | A.C. CARBON BRUSH CB-318 2PC/SET (W/ ORIGIN) | 1 | SET |
| | 4 | 196454-8 | A.C. CARBON BRUSH CB-340 2PC/SET (W/ ORIGIN) | 1 | SET |
| 042 | | 265995-6 | TAPPING SCREW 4X18 | 2 | PC. |
| 043 | | 687063-9 | CORD CLAMP (STRAIN RELIEF) | 1 | PC. |
| 044 | | 632999-7 | SWITCH BLOCK | 1 | PC. |
| 045 | | 664064-4 | CORD W/PLUG 2P-18-2.5M, SJ | 1 | PC. |
| 046 | 2 | 682559-5 | CORD GUARD | 1 | PC. |
| 047 | | 651418-4 | SWITCH ST115A-40 | 1 | PC. |
| 048 | | 687113-0 | COVER | 1 | PC. |
| 049 | 2 | 810E29-6 | * OPERATION INDICATION LABEL | | |
| 050 | 2 | 144093-8 | REAR COVER COMPLETE | 1 | PC. |
| | | INC. | CAUTION LABEL | 1 | PC. |
| 051 | | 265995-6 | TAPPING SCREW 4X18 | 1 | PC. |
| 052 | | 631390-6 | CONTROLLER | 1 | PC. |
| 053 | | 417187-5 | SWITCH LEVER | 1 | PC. |
| 054 | | 233071-4 | COMPRESSION SPRING 4 | 1 | PC. |
| 055 | | 643760-7 | BRUSH HOLDER (OLD# 643762-3 - N/L/A) | 1 | PC. |
| 056 | 3 | 417812-8 | MOTOR HOUSING | 1 | PC. |
| 058 | 2 | 417813-6 | SWITCH KNOB | 1 | PC. |

| Item # | Type | Part No | Description | Qty | Unit |
|--|------|----------|--|-----|------|
| 059 | | 265999-8 | TAPPING SCREW 4X25 | 4 | PC. |
| 060 | | 800092-7 | INDICATION LABEL | 1 | PC. |
| 100 | | 654037-5 | INSULATED EYE TERMINAL FT1.25-M3 | 2 | PC. |
| 101 | | 652037-9 | P.H. SCREW M3.5X8 | 2 | PC. |
| C01 | | 843797-6 | CARTON F/GD0800C | 1 | PC. |
| ACCESSORIES - See catalogue or visit www.makita.ca for more optional accessories - | | | | | |
| A01 | | 781203-2 | WRENCH 13 | 1 | PC. |
| A02 | | 781206-6 | WRENCH 19 | 1 | PC. |
| A03 | | 192985-5 | SIDE HANDLE SET | 1 | PC. |
| | INC. | 152521-9 | GRIP 36 COMPLETE | 1 | PC. |
| | INC. | 415485-1 | GRIP BASE | 1 | PC. |
| | INC. | 921919-9 | HEX. BOLT M8X110 | 1 | PC. |
| A04 | | 192986-3 | COLLET CONE 1/4" | 1 | PC. |
| A04 | | 192987-1 | COLLET CONE 1/8" SET (Optional) | 1 | PC. |
| A04 | | 193012-1 | COLLET CONE 6MM SET (Optional) | 1 | PC. |
| | INC. | 763650-9 | COLLET CONE 1/4" - N/A as individually | 1 | PC. |
| | INC. | | Item No. 1 | | |
| | INC. | | Item No. 1 | | |
| | INC. | | Item No. 1 | | |
| A05 | | 193141-0 | VICE HOLDER SET (Optional) | 1 | PC. |
| A06 | | ----- | ABRASIVE FLAP WHEELS | | |
| A07 | | ----- | CARBIDE BURRS | | |

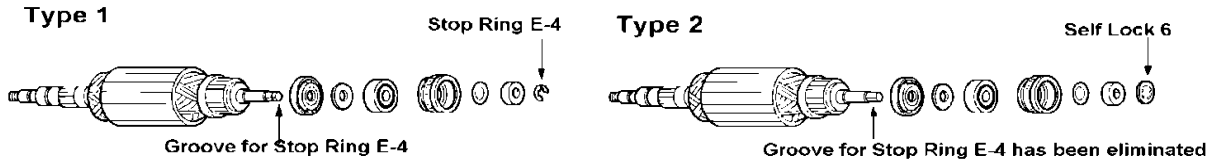
SERVICE CHANGES

1. Changes on Armature Assy

(TI#B2975)

| Item No. | Description | Type 1 | Type 2 | Type 3 |
|----------|----------------------|------------------|----------|----------|
| 23 | Armature Assy 115V | 515191-9 (N/L/A) | 515216-9 | 518149-7 |
| 30 | Stop Ring/ Self Lock | 961011-9 | 259039-2 | |
| 35 | Field 115V | 626521-0 | | 626522-8 |
| 49 | Label | 816801-4 | | 810E29-6 |

Above parts are completely interchangeable as a set.



2. Changes on Motor Housing, Switch Knob and Rear Cover

(TI#B2975)

| Item No. | Description | Type 1 | Type 2 | Type 3 | Type 4 |
|----------|---------------|---|--|-----------------------------|------------------------|
| 56 | Motor Housing | 152865-7 (Complete w/ label) (OLD#417184-1) | 153296-3 (N/L/A) (Complete w/ label) | 417812-8 (without label) | |
| 58 | Switch Knob | 417188-3 (N/L/A) | | 417813-6 | |
| 50 | Rear Cover | 417185-9 (N/L/A) | | 158189-9 (w/ label) | 144093-8 (w/ label) |

Above parts are completely interchangeable as a set.

Motor Housing & Switch Knob

Type 1 → Type 2

