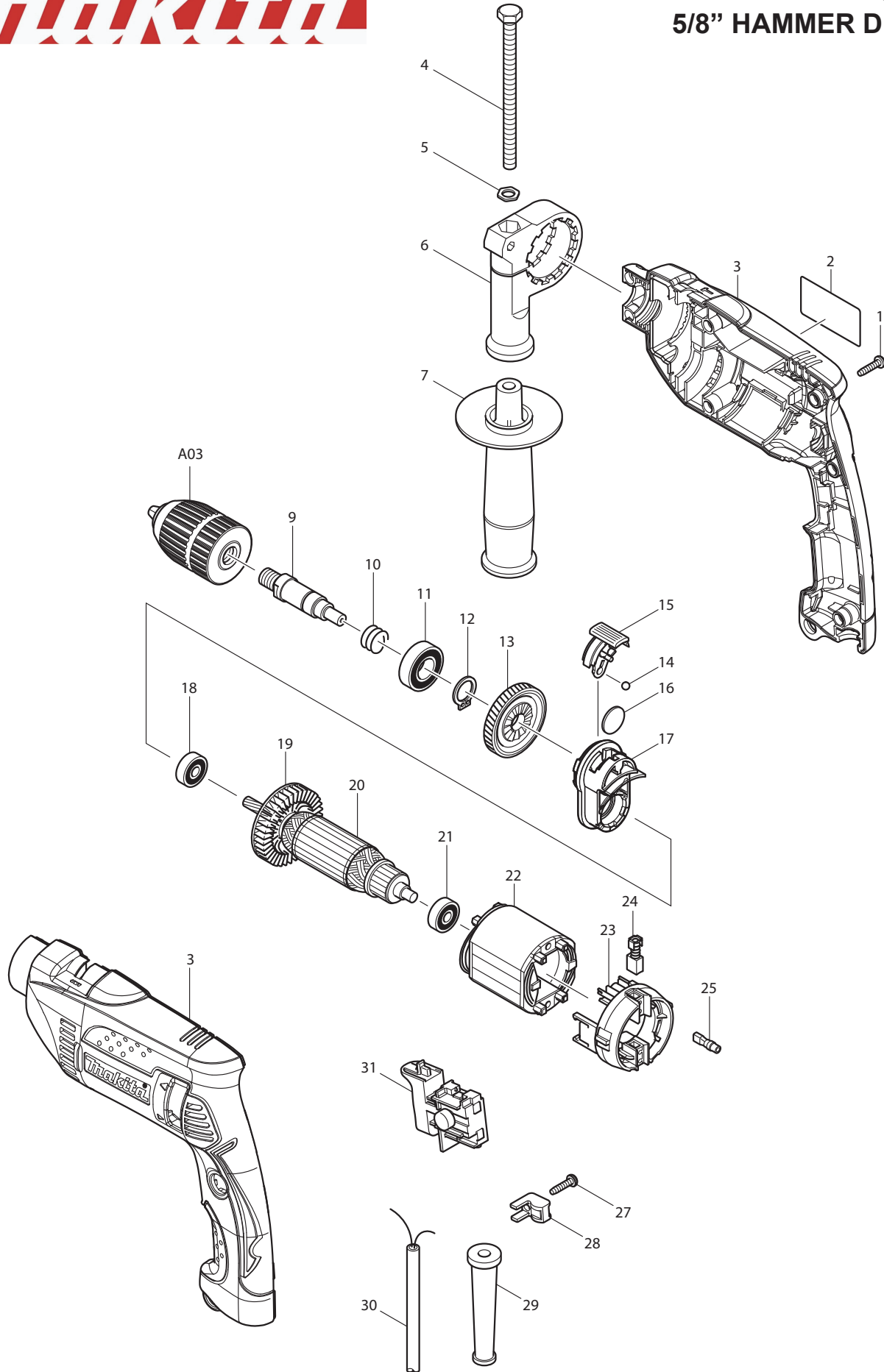




07 - 2008
HP1641K
5/8" HAMMER DRILL



Item No.	Type	Sub	Part No.	Description	Q'ty	Unit
001	2		265A48-7	TAPPING SCREW 4X18	7	PC.
002			866006-6	HP1641 NAME PLATE	1	PC.
003			188611-2	HOUSING SET	1	SET
		INC.	345399-9	PLATE	2	PC.
004			921923-8	HEX. BOLT M8X120	1	PC.
005			345280-4	HEX. WASHER	1	PC.
006			417630-4	GRIP BASE	1	PC.
007			153503-4	GRIP 36 COMPLETE	1	PC.
009			324397-6	SPINDLE	1	PC.
010			233389-3	COMPRESSION SPRING 15	1	PC.
011			211201-7	BALL BEARING 6002LLB	1	PC.
012			961055-9	RETAINING RING S-15	1	PC.
013			226579-5	HELICAL GEAR 45	1	PC.
014			216018-3	STEEL BALL 5.0	1	PC.
015			418319-7	CHANGE LEVER	1	PC.
016			345354-1	PLATE 19	1	PC.
017	2		141165-0	CAM HOLDER COMPLETE	1	PC.
018			210023-2	BALL BEARING 627DDW	1	PC.
019			240067-8	FAN 55	1	PC.
020			517456-5	ARMATURE ASS'Y 115V	1	PC.
		INC.		Item No. 18,19,21		
021			211028-5	BALL BEARING 627LB	1	PC.
022			633566-1	FIELD 115V	1	PC.
023			638237-5	BRUSH HOLDER UNIT	1	PC.
024	2		195007-0	CARBON BRUSH CB-407 2PC/SET, W/O ORIGIN	1	SET
025			686038-5	RECEPTACLE SLEEVE	2	PC.
027	2		265A48-7	TAPPING SCREW 4X18	1	PC.
028			687260-7	STRAIN RELIEF	1	PC.
029			682502-4	CORD GUARD 8-85	1	PC.
030	4		664064-4	CORD W/PLUG 2P-18-2.5M, SJ	1	PC.
031			650570-5	SWITCH TG843TB-2	1	PC.
100			654025-2	RECEPTACLE FS2.8B-1.25-5 (F/ FIELD)	2	PC.
102			654593-5	SPLICE (F/ SWITCH)	2	PC.

ACCESSORIES

- see catalogue or visit www.makita.ca for more accessories information -

A01			324219-0	DEPTH GAUGE	1	PC.
A02			824811-7	PLASTIC CARRYING CASE	1	PC.
A03	2		196193-0	1/2" KEYLESS DRILL CHUCK - PACKAGED	1	PC.
A04			763440-0	CHUCK KEY	1	PC.
A05			765009-6	BLOW-OUT BULB	1	PC.
A06			D-16449	9PC DRILL BIT ASSORTMENT(INCH SIZE)	1	SET
A07			135302-6	GRIP 36 ASSEMBLY	1	PC.
		INC.		Item No. 4 - 7	1	PC.