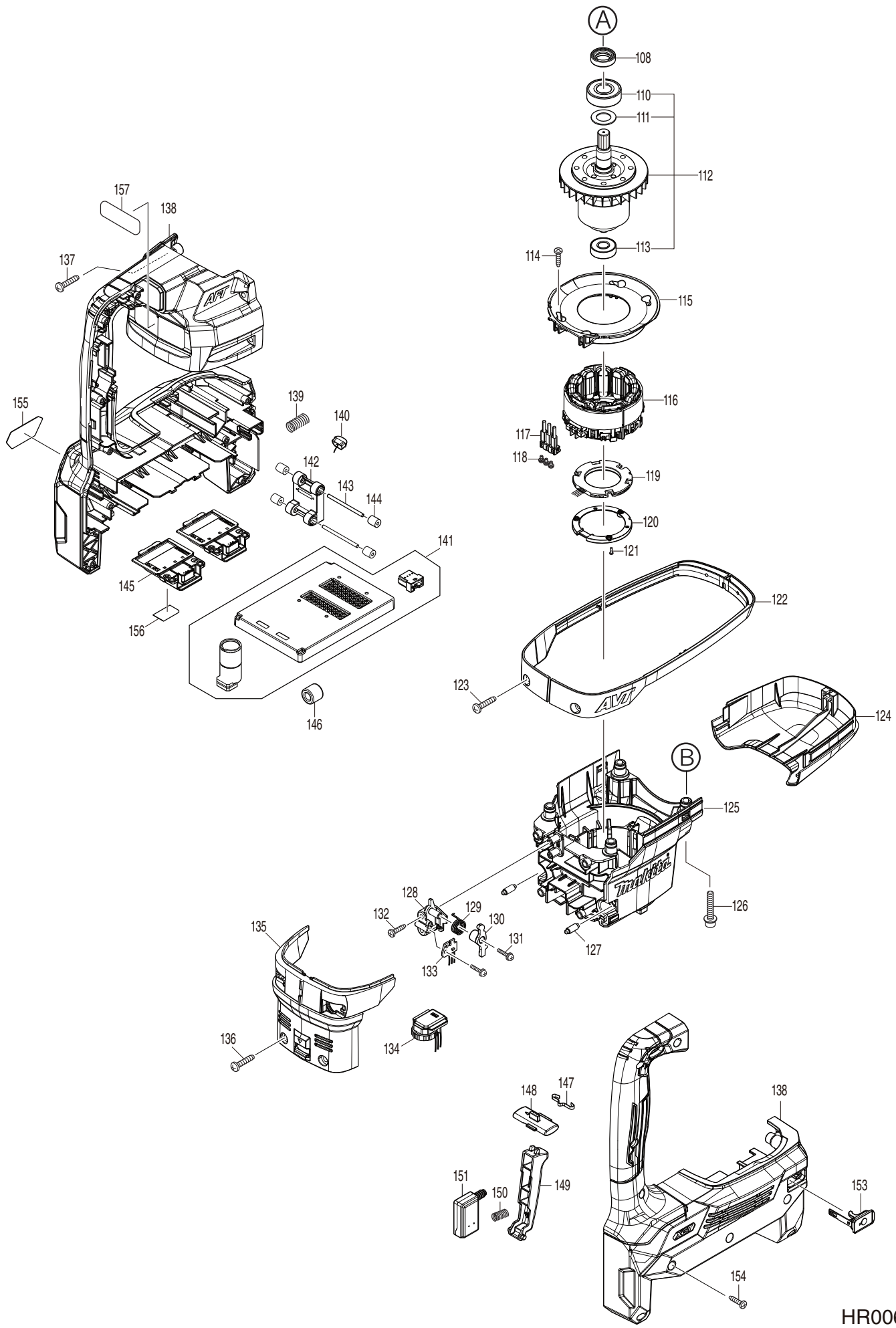


HR006G 1/2



Item No.	Type	Sub	Part No.	Description	Qty	Unit
001			286292-7	TOOL HOLDER CAP	1	PC.
002			233948-3	RING SPRING 25	1	PC.
003			257367-9	RING 28	1	PC.
004			454767-6	CHUCK COVER	1	PC.
005			262172-1	RUBBER RING 29	1	PC.
006			327868-2	CHUCK RING	1	PC.
007			454768-4	RELEASE COVER	1	PC.
008			310178-4	TOOL RETAINER	2	PC.
009			346751-4	SPRING GUIDE	1	PC.
010			234317-1	COMPRESSION SPRING 49	1	PC.
011			346751-4	SPRING GUIDE	1	PC.
012			922456-6	HEX. SOCKET HEAD BOLT M8X35	4	PC.
013			140Y01-7	HOUSING COVER COMPLETE	1	PC.
		INC.	810100-6	CAUTION LABEL	1	PC.
014			213664-3	O RING 60	1	PC.
015			142408-3	BARREL COMPLETE	1	PC.
		INC.	213663-5	O RING 55	1	PC.
		INC.	213778-8	OIL SEAL 42	1	PC.
		INC.	214603-6	PLANE BEARING 49	1	PC.
		INC.	259056-2	RING SPRING 54	1	PC.
016			454769-2	LOCK SLEEVE	1	PC.
017			259057-0	RING SPRING 74	1	PC.
018			213766-5	O-RING 78	1	PC.
019			213789-3	O-RING 38	1	PC.
020			327735-1	TOOL HOLDER A	1	PC.
021			213779-6	O-RING 45	1	PC.
022			231989-3	RING SPRING 46	1	PC.
023			257353-0	RING 49	1	PC.
024			267477-4	FLAT WASHER 60	1	PC.
025			262171-3	RUBBER RING 60	1	PC.
026			267477-4	FLAT WASHER 60	1	PC.
027			268308-0	PIN 9	4	PC.
028			326362-1	TOOL HOLDER B	1	PC.
029			213394-6	O RING 23	3	PC.
030			213431-6	FLUORIDE RING 28	3	PC.
031			136413-0	IMPACT BOLT ASSY	1	PC.
		INC.		Item No. 29,30		
032			324756-4	RING 20	1	PC.
033			424000-0	RUBBUR RING 24	1	PC.
034			327734-3	SHOULDER WASHER 20	1	PC.
035			213783-5	O-RING 48	1	PC.
036			413263-3	SLIDE SLEEVE	1	PC.
037			327731-9	STRIKER	1	PC.
038			213781-9	O-RING 33	1	PC.
039			234318-9	COMPRESSION SPRING 45	1	PC.
040			256548-2	FLAT FILLISTER HEAD PIN 6	1	PC.
041			454779-9	GUIDE RING	1	PC.
042			346749-1	LINK PLATE	1	PC.
043			313272-1	DRIVING SLEEVE	1	PC.
044			257994-2	RETAINING RING(EXT)WR-44	1	PC.
045			257355-6	RING 44	1	PC.
046			267478-2	FLAT WASHER 44	1	PC.
047			234319-7	COMPRESSION SPRING 46	1	PC.
048			267478-2	FLAT WASHER 44	1	PC.
049			327730-1	CYLINDER 40	1	PC.
050			257994-2	RETAINING RING(EXT)WR-44	1	PC.
051			213460-9	O RING 35	3	PC.
052			257820-5	SLEEVE 9	1	PC.

Item No.	Type	Sub	Part No.	Description	Qty	Unit
053			312A68-3	PISTON	1	PC.
054			213782-7	O-RING 30	1	PC.
055			213460-9	O RING 35	1	PC.
056			413261-7	CONNECTING ROD	1	PC.
057			227625-7	SPIRAL BEVEL GEAR 33	1	PC.
058			265995-6	TAPPING SCREW 4X18	1	PC.
059			454326-6	CHANGE LEVER	1	PC.
060			312A70-6	CRANK CAP COVER	1	PC.
061			454345-2	CRANK LEVER	1	PC.
062			213262-3	O RING 18	1	PC.
063			424607-2	FILTER CAP	1	PC.
064			443129-3	FILTER	1	PC.
065			454764-2	CRANK CAP	1	PC.
066			911128-8	P.H.SCREW M4X16 WITH WR	6	PC.
067		2	422787-8	SEAL RING B	1	PC.
068			232280-2	LEAF SPRING	1	PC.
069			413827-3	LINK LEVER	1	PC.
070			911511-9	PAN HEAD SCREW M4X10	1	PC.
071			233611-8	TORSION SPRING 7	1	PC.
072			454778-1	LINK GUIDE	1	PC.
073			911128-8	P.H.SCREW M4X16 WITH WR	2	PC.
074			346748-3	GUIDE RAIL	1	PC.
075		1	140Y00-9	CRANK HOUSING A COMPLETE	1	PC.
		2	140H08-4	CRANK HOUSING A COMPLETE	1	PC.
076			922359-4	H.S.H.BOLT M6X35 WITH WG	2	PC.
077			213662-7	O RING 55	1	PC.
078			922359-4	H.S.H.BOLT M6X35 WITH WG	2	PC.
079			413264-1	SPRING BASE	1	PC.
080			232662-8	COMPRESSION SPRING 12	2	PC.
081			232664-4	COMPRESSION SPRING 10	1	PC.
082			911233-1	PAN HEAD SCREW M5X20	3	PC.
083			127823-2	TORQUE LIMITER ASSEMBLY	1	PC.
		INC.		Item No. 84-90		
084			227628-1	SPIRAL BEVEL GEAR 10	1	PC.
085			210256-9	BALL BEARING 6904LLB	1	PC.
086			142410-6	TORQUE LIMITER COMPLETE	1	PC.
087			324727-1	SHOULDER WASHER 8	1	PC.
088			210005-4	BALL BEARING 608DDW	1	PC.
089			253215-0	FLAT WASHER 8	1	PC.
090			961004-6	RETAINING RING S-8	1	PC.
091			327729-6	CRANK SHAFT	1	PC.
092			210255-1	BALL BEARING 6006LLB	1	PC.
093			254229-2	KEY 5	2	PC.
094			227788-9	HELICAL GEAR 46	1	PC.
095			227336-4	SPUR GEAR 26	1	PC.
096			961102-6	RETAINING RING S-22	1	PC.
097			253843-1	FLAT WASHER 12	1	PC.
098		2	422786-0	SEAL RING A	1	PC.
099			142409-1	GEAR HOUSING COMPLETE	1	PC.
100			454774-9	SPRING PLATE	2	PC.
101			233497-0	COMPRESSION SPRING 15	2	PC.
104			326375-2	COUNTER WEIGHT	2	PC.
105			233497-0	COMPRESSION SPRING 15	2	PC.
106			213953-6	O RING 24	4	PC.
107			141E52-3	HOLDER COMPLETE	2	PC.
108			213231-4	OIL SEAL 15	1	PC.
110			211228-7	BALL BEARING 6202DDW	1	PC.
111			267215-4	FLAT WASHER 15	1	PC.
112			519652-1	ROTOR ASSY	1	PC.
		INC.		Item No. 110,111,113		

Item No.	Type	Sub	Part No.	Description	Qty	Unit
113			210059-1	BALL BEARING 6000DDW	1	PC.
114			265995-6	TAPPING SCREW 4X18	4	PC.
115			413260-9	BAFFLE PLATE	1	PC.
116			629A27-3	STATOR	1	PC.
117			632R89-4	LEAD UNIT	1	PC.
118			652031-1	PAN HEAD SCREW M3X6	3	PC.
119			620E26-2	CONTROLLER B	1	PC.
120			687B69-9	STOPPER	1	PC.
121			266490-9	TAPPING SCREW PT 2X6	3	PC.
122			454780-4	GUARD 52	1	PC.
123			266041-8	TAPPING SCREW 5X25	2	PC.
124			454763-4	GEAR HOUSING COVER	1	PC.
125			413256-0	MOTOR HOUSING	1	PC.
126			922359-4	H.S.H.BOLT M6X35 WITH WG	2	PC.
127			256380-4	SHOULDER PIN 4-6	2	PC.
128			412985-2	BASE	1	PC.
129			232643-2	TORSION SPRING 13	1	PC.
130			140W48-9	LEVER COMPLETE	1	PC.
131			263046-9	TAPPING SCREW 3X14	2	PC.
132			265995-6	TAPPING SCREW 4X18	2	PC.
133			620E28-8	SENSOR CIRCUIT	1	PC.
134			620E29-6	DIAL CIRCUIT	1	PC.
135			140X97-2	MOTOR HOUSING COVER COMPLETE	1	PC.
		INC.	422660-2	RUBBER SHEET	1	PC.
136			266041-8	TAPPING SCREW 5X25	2	PC.
137			266041-8	TAPPING SCREW 5X25	4	PC.
138			183S32-7	HOUSING SET	1	SET
		INC.	263005-3	RUBBER PIN 6	8	PC.
		INC.	347755-9	GUARD RAIL	2	PC.
		INC.	422646-6	CAP 10	2	PC.
		INC.	347782-6	PLATE	4	PC.
139			232663-6	COMPRESSION SPRING 8	1	PC.
140			620E27-0	LED CIRCUIT	1	PC.
141			620E25-4	CONTROLLER	1	PC.
142			620E30-1	ACCELEROMETER CIRCUIT	1	PC.
143			256886-2	ROD 3	2	PC.
144			422472-3	SPONGE SLEEVE 3	4	PC.
145			632R98-3	TERMINAL UNIT	2	PC.
147			232152-1	LEAF SPRING	1	PC.
148			412953-5	TRIGGER LOCK	1	PC.
149			458097-7	SWITCH LEVER	1	PC.
150			232418-9	COMPRESSION SPRING 5	1	PC.
151			651083-9	SWITCH C3XA-1PSPM	1	PC.
153			140F99-0	CAP COMPLETE	1	PC.
		INC.	213218-6	O RING 16	1	PC.
		INC.	818H07-8	CAP LABEL	1	PC.
154			265995-6	TAPPING SCREW 4X18	10	PC.
155			8029M5-9	XGT LOGO LABEL	1	PC.
156			811996-8	HR006G SERIAL NO. LABEL	1	PC.
157			811990-0	HR006G NAME PLATE	1	PC.
<b><u>ACCESSORIES</u></b>				<b>- Visit <a href="http://www.makita.ca">www.makita.ca</a> for more accessories information -</b>		
A01			194683-7	GREASE VESSEL SET	1	PC.
A02			331955-1	DEPTH GAUGE	1	PC.
A03			443122-7	CLOTH	1	PC.
A04			135629-4	STRIGHT SIDE HANDLE 36	1	PC.
		INC.	158131-0	GRIP 36 COMPLETE	1	PC.
		INC.	234226-4	COMPRESSION SPRING 6	1	PC.
		INC.	266163-4	CUP SQUARE NECK BOLT M8X80	1	PC.
		INC.	313223-4	RACK GUIDE	1	PC.

Item No.	Type	Sub	Part No.	Description	Qty	Unit
		INC.	344492-6	PLATE	1	PC.
		INC.	346750-6	GRIP SPRING 90	1	PC.
		INC.	453114-8	LOCK BUTTON	1	PC.
		INC.	454781-2	SIDE GRIP BASE 90	1	PC.
A05			135283-4	SIDE HANDLE 90 (D-STYLE)	1	PC.
		INC.	252640-2	WING NUT M8	1	PC.
		INC.	265439-6	HEX. BOLT M8X150	1	PC.
		INC.	318430-4	SIDE HANDLE BASE 90A	1	PC.
		INC.	318431-2	SIDE HANDLE BASE 90B	1	PC.
		INC.	417002-3	SIDE HANDLE CAM	2	PC.
		INC.	417003-1	SIDE HANDLE	1	PC.
		INC.	951166-8	SPRING PIN 5-24	1	PC.
A06A			821848-5	PLASTIC CARRYING CASE F/HR006GZ	1	PC.
A06B	2		141H44-0	PLASTIC CARRYING CASE F/HR006GM203	1	PC.
A07			412393-7	BATTERY COVER F/ XGT LI-ION	1	PC.
A08			191E81-6	40V MAX LI-ION BATTERY BL4040	1	PC.
A09			191E74-3	40V MAX LI-ION BATTERY BL4025	1	PC.
A09			---	40V MAX LI-ION BATTERY		
A10			DC40RA	FAST CHARGER DC40RA	1	PC.
A10			---	BATTERY CHARGER		
A11			191N79-7	HAMMER SERVICE KIT	1	PC.