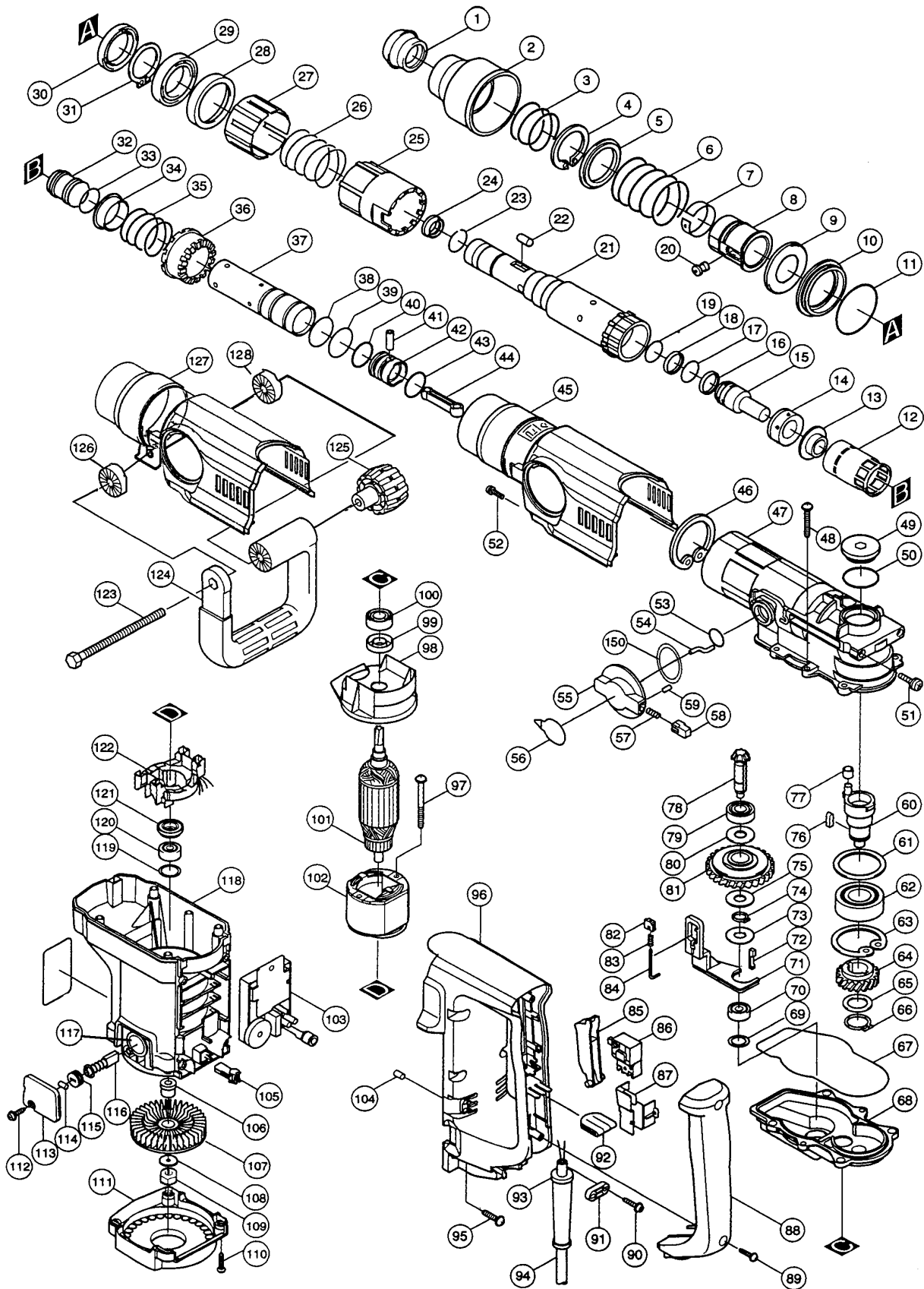
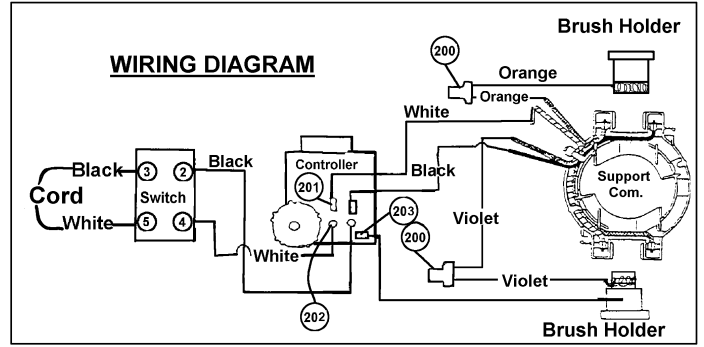
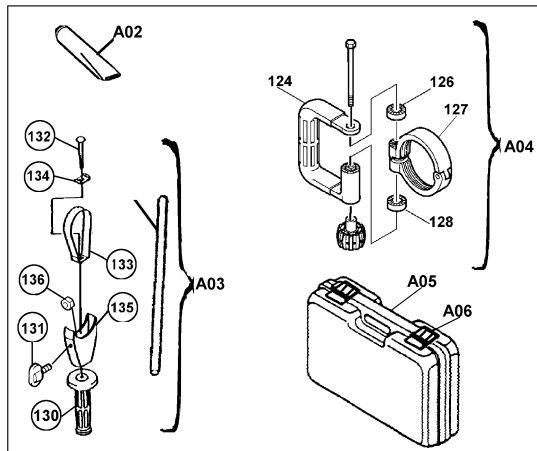


1 - 9/16" ROTARY HAMMER - SDS-MAX

Model HR4000C (MJ)



Item No.	Part No.	No. Used	Description	Item No.	Part No.	No. Used	Description
1	286247-2	1	Tool Holder Cap	65	267121-3	1	Flat Washer 20
2	416127-0	1	Chuck Cover	66	961060-6	1	Retaining Ring S-20
3	233178-6	1	Compression Spring 46	67	421613-8	1	Seal Ring
4	961176-7	1	Retaining Ring S-40	68	159949-2	1	Gear Housing Com.
5	344489-5	1	Washer 40	69	253314-8	1	Thin Washer 15
6	233179-4	1	Compression Spring 50	70	211031-6	1	Ball Bearing 608LLB
7	232171-7	1	Leaf Spring 37	71	416288-6	1	Change Link
8	322948-9	1	Chuck Ring	72	322951-0	2	Change Key
9	344488-7	1	Cup Washer 32	73	253810-6	1	Flat Washer 12
10	416283-6	1	Seal Case	74	961052-5	1	Retaining Ring S-12
11	213601-7	1	O Ring 50	75	267113-2	1	Flat Washer 12
12	416282-8	1	Slide Sleeve	76	254229-2	2	Key 5
13	331505-2	1	Sleeve 16	77	257631-8	1	Sleeve 7 * (Type 1 Only)
14	421582-3	1	Rubber Ring 17	78	226746-2	1	Straight Bevel Gear 10
15	322959-4	1	Impact Bolt	79	211121-5	1	Ball Bearing 1207
16	213392-0	1	Flouride Ring 25	80	267113-2	1	Flat Washer 12
17	213317-4	1	O Ring 20	81	159947-6	1	Torque Limiter Com.
18	213392-0	1	Flouride Ring 25	82	416289-4	1	Slide Plate
19	213317-4	1	O Ring 20	83	233180-9	1	Compression Spring 3
20	310052-6	1	Shoulder Pin 8	84	322963-3	1	Guide Pin 2
21	322952-8	1	Tool Holder	85	416284-4	1	Switch Lever
22	322908-1	2	Roller 8	86	651922-3	1	Switch
23	231977-0	1	Ring Spring 25	87	416126-2	1	Lead Guide
24	213271-2	1	Dust Seal 18	88	*	1	Handle Cover
25	416125-4	1	Lock Sleeve A	89	265995-6	2	Tapping Screw 4x18
26	233177-8	1	Compression Spring 44	90	265995-6	2	Tapping Screw 4x18
27	416325-6	1	Lock Sleeve B	91	687063-9	1	Strain Relief
28	331510-9	1	Bearing Holder	92	421583-1	1	Sponge Sheet
29	211469-5	1	Ball Bearing 6907	93	*	1	Cord Guard 10
30	213480-3	1	Oil Seal 35	94	664276-9	1	Cord With Plug 2P-16-5.0M
31	961153-9	1	Retaining Ring S-35	95	266021-4	4	Tapping Screw PT 5x20
32	322960-9	1	Striker	96	*	1	Handle / Handle Com.
33	213370-0	1	O Ring 22	97	266044-2	2	Tapping Screw Flange PT 5x60
34	331509-4	1	Ring 33	98	*	1	Baffle Plate
35	233176-0	1	Compression Spring 37	99	213112-2	1	Oil Seal 12
36	226745-4	1	Straight Bevel Gear 33	100	210059-1	1	Ball Bearing 6000DDW(Nylon) (Old 211088-7)
37	331508-6	1	Cylinder 28.5	101	*	1	Armature Assy (Includes Items 120 & 121)
38	213406-5	1	O Ring 30	102	634296-7	1	Field
39	213406-5	1	O Ring 30	103	631236-6	1	Controller *
40	213370-0	1	O Ring 22	104	416285-2	2	Acrylic Pin 5
41	256197-5	1	Pin 7(Old 331507-8 - Pipe 4)	105	417715-6	1	Fix Rod (Old 415695-0)
42	416122-0	1	Piston	106	322961-7	1	Sleeve 7
43	213370-0	1	O Ring 22	107	241876-8	1	Fan 76
44	416123-8	1	Rod	108	*	1	Flat Washer
45	*	1	Crank Housing Cover Com.	109	*	1	P.H. Screw M4x10/Hex Nut M6
46	962253-8	1	Retaining Ring R-56	110	265995-6	4	Tapping Screw 4x18
47	159948-4	1	Crank Housing Com.	111	416295-9	1	Rear Cover
48	266012-5	6	Tapping Screw, Flange, 5x35	112	265995-6	2	Tapping Screw 4x18
49	416124-6	1	Crank Cap	113	416292-5	2	Brush Holder Cover
50	213406-5	1	O Ring 30	114	263002-9	2	Rubber Pin 4
51	911233-1	2	P.H. Screw M5x20	115	643750-0	2	Brush Holder Cap
52	911128-8	1	P.H. Screw M4x16	116	191961-6	2	Auto Cut-Off Carbon Brush CB-304 (2pcs/Set)
53	213304-3	1	O Ring 20	117	643757-6	1	Brush Holder 5 x11
54	322962-5	1	Crank Pin 4	118	159950-7	1	Motor Housing Com. (Includes Item 117, 643754-2 - Brush Holder & 632687-6 - Lead Unit)
55	416287-8	1	Change Lever	119	253343-1	1	Thin Washer 18
56	816329-2	1	Indication Label	120	210005-4	1	Ball Bearing 608DDW
57	233188-3	1	Compression Spring 2.4	121	*	1	Insulation Washer
58	417340-3	1	Lock Button	122	632699-9	1	Support Com.
59	256122-6	1	Pin 4	123	265439-6	1	Hex Bolt M8x150
60	323929-6	1	Crank Shaft (Old 322949-7)				
61	267169-5	1	Flat Washer 42				
62	211373-8	1	Ball Bearing 6205LLU				
63	962251-2	1	Retaining Ring R-52				
64	226479-9	1	Helical Gear 37				



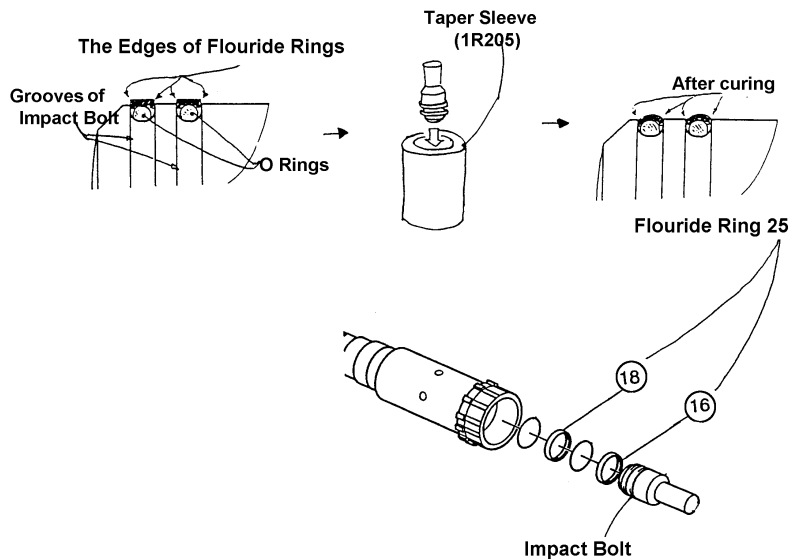
Item No.	Part No.	No. Used	Description	Item No.	Part No.	No. Used	Description
124	*	1	Side Handle	201	654079-9	2	Insulated Receptacle DF1.25
125	252640-2	1	Wing Nut M8	202	654177-9	2	Insulated Terminal
126	*	1	Side Handle Base 68/Side Handle Com.	203	632687-6	1	Lead Unit
127	*	1	Handle Spring 68	Accessories			
128	*	1	Side Handle Base 68/Side Handle Com.	A01	181573-3	1	Bit Grease
130	152554-4	1	Grip 36 Com.	A02	321248-4	1	Depth Gauge
131	265701-9	1	Screw M6x14	A03	134803-1	1	Side Grip 36 Assy (Includes Items 130 -132, A02, & 133 -136)
132	266163-4	1	Cup Square Neck Bolt M8x80	A04	*	1	Side Handle Assy (Includes Items 123 -128)
133	344491-8	1	Grip Spring 68	A05	824479-9	1	Plastic Carrying Case
134	344492-6	1	Plate	A06	416401-6	2	Latch
135	416299-1	1	Side Grip Base 68				
136	931302-2	1	Hex Nut M6				
150	421698-4	1	Dust Proof Washer 55 (Added)				
200	654509-0	2	End Connector 2-SD				

* SEE SERVICE CHANGES

SERVICE NOTE

Addition of Taper Sleeve as Repairing Jig.

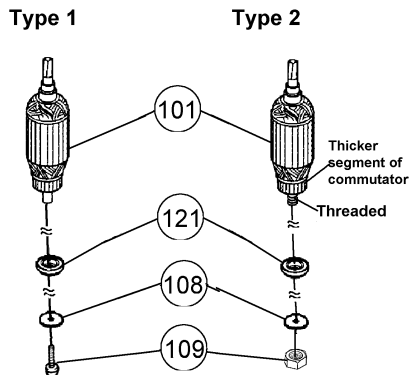
Taper Sleeve (Part number 1R205) has been added as Repairing Jig for attaching Flouride Rings 25 (Items 16 & 18) onto Impact Bolt (Item 15). By inserting the Impact Bolt into the Taper Sleeve for about ten seconds, the edges of the Flouride Rings will be curled for fitting into the grooves of the Impact Bolt.



SERVICE CHANGES

1. Change on Armature, Flat Washer, Insulation Washer etc.

This will improve the lifespan of the Armature.

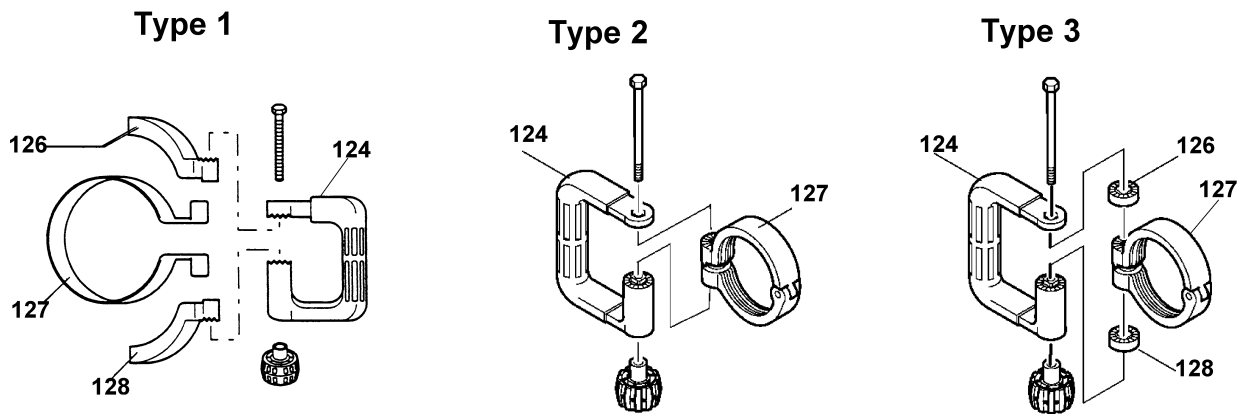


Thickness of Commutator will be changed from 1.2mm to 2.4mm effective October 1997. Life expectancy of the Armature will be doubled.

Item No.	Description	Type 1	Type 2
101	Armature	516311-8	516326-5
108	Flat Washer O.D. ϕ 4mm	267071-2	253804-1 O.D. ϕ 6mm
109	P.H. Screw/Hex Nut	911115-7 P.H. M4x10	931302-2 M6
121	Insulation Washer I.D. ϕ 13.7mm	681637-8	681650-6 I.D. ϕ 11.7mm
	Serial #	~ 39408E	39409E ~

Above parts are completely interchangeable as a set.

2. Modification of D-Shaped Side Handle.

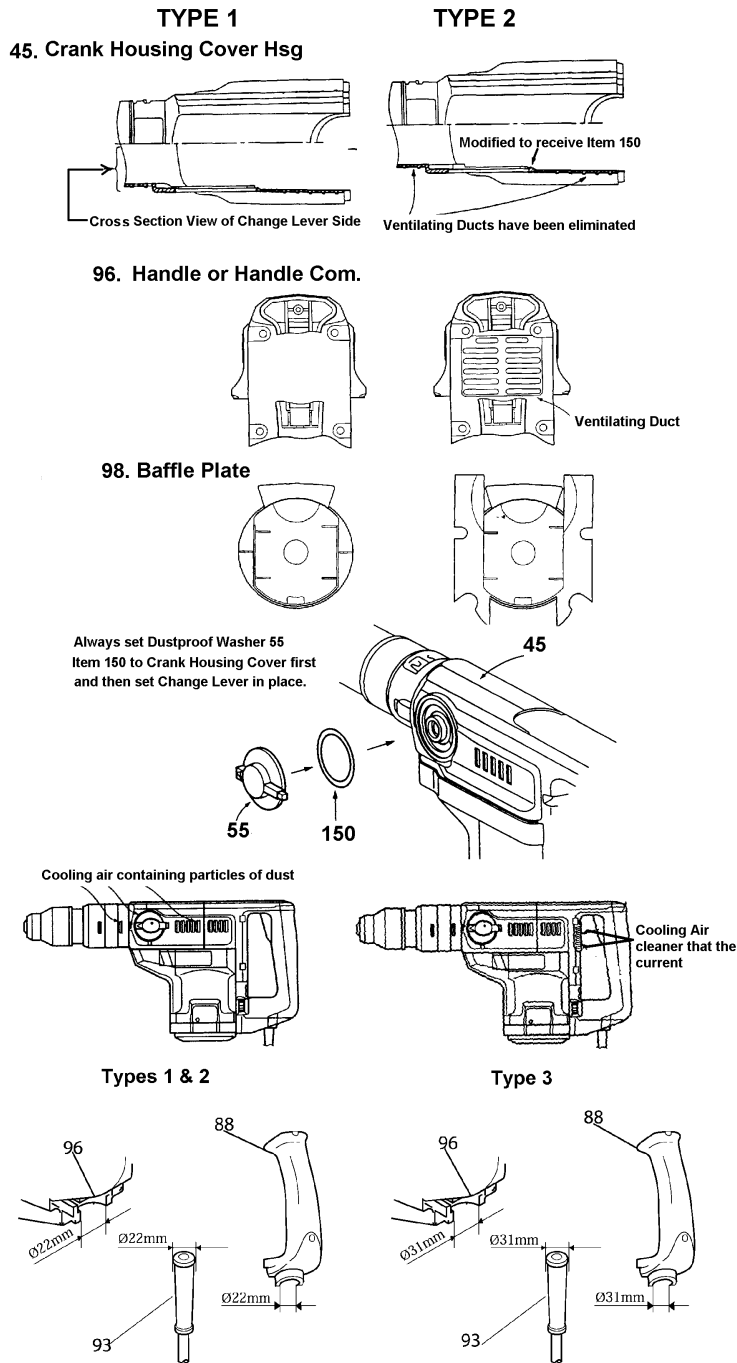


Item No.	Description	Type 1	Type 2	Type 3
124	Sside Handle	416009-6		417003-1
126, 128	Side Handle Base 68/ Side Handle Cam	416298-3 (2pcs)	-----	417002-3
127	Handle Spring 68	344490-0		151769-0
A04	Side Handle Assy	134804-9	134886-1	134890-0

Above parts are completely interchangeable as a set.

3. Change on Handle and Addition of Dustproof Washer 55 (Item 150)

Ventilating ducts have been changed to Rear Handle from Crank Housing, Baffle Plate has been modified
In accordance with the change of ventilating ducts & Dustproof Washer 55 has been added between the
Change Lever and Crank Housing Cover.

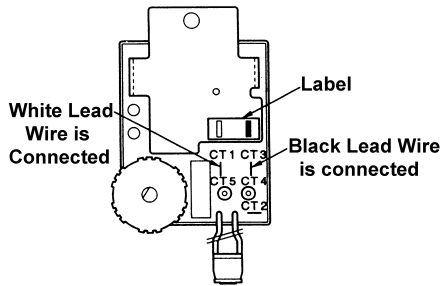


Item No.	Description	Type 1	Type 2	Type 3
45	Crank Housing Cover Com.	159967-0 (No Longer Available)	151761-6	
88	Handle Cover	416291-7		417165-5
93	Cord Guard	682505-8 (682556-1)		682560-0
96	Handle Com./Handle	150858-8 (No Longer Available)	416985-4	417164-7
98	Baffle Plate	416296-7	416987-0	
150	Dustproof Washer 55	-----	421698-4	

Above parts are completely interchangeable as a set.

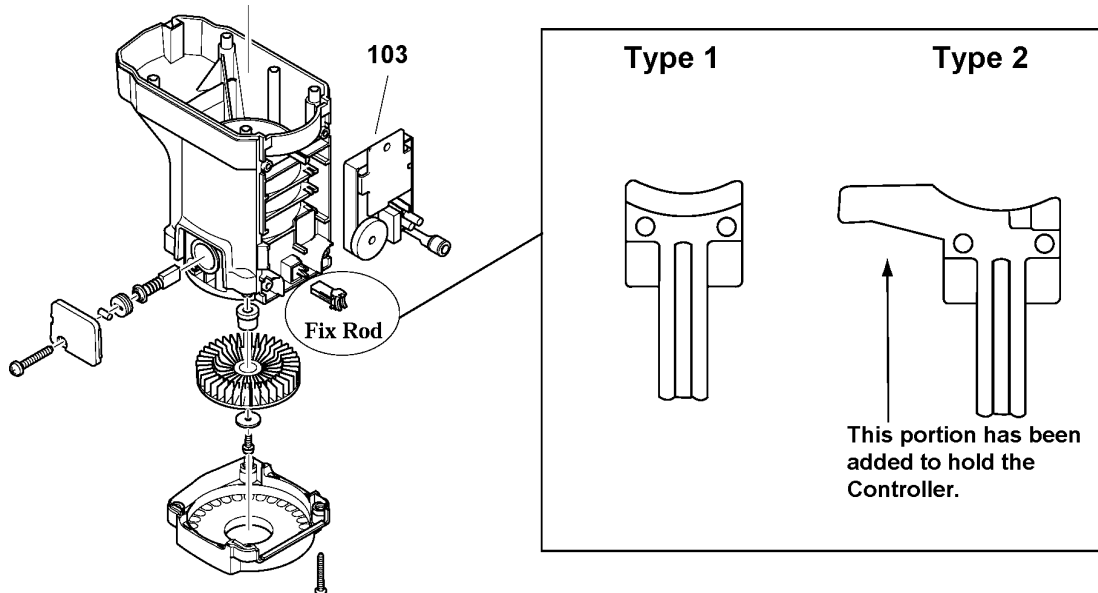
4. Change on Controller. (Mo Part # change).

Material of Controller's Case has been changed to PBT from Nylon & a label has been added to show the color of lead wires connected to terminal CT1 and CT3



5. Modification of Fix Rod.

Fix Rod has been modified for quick repair.



Item No.	Description	Type 1	Type 2
105	Fix Rod	415695-0	417715-6
	Serial #	~ 163688E	163689E ~

Above parts are completely interchangeable.