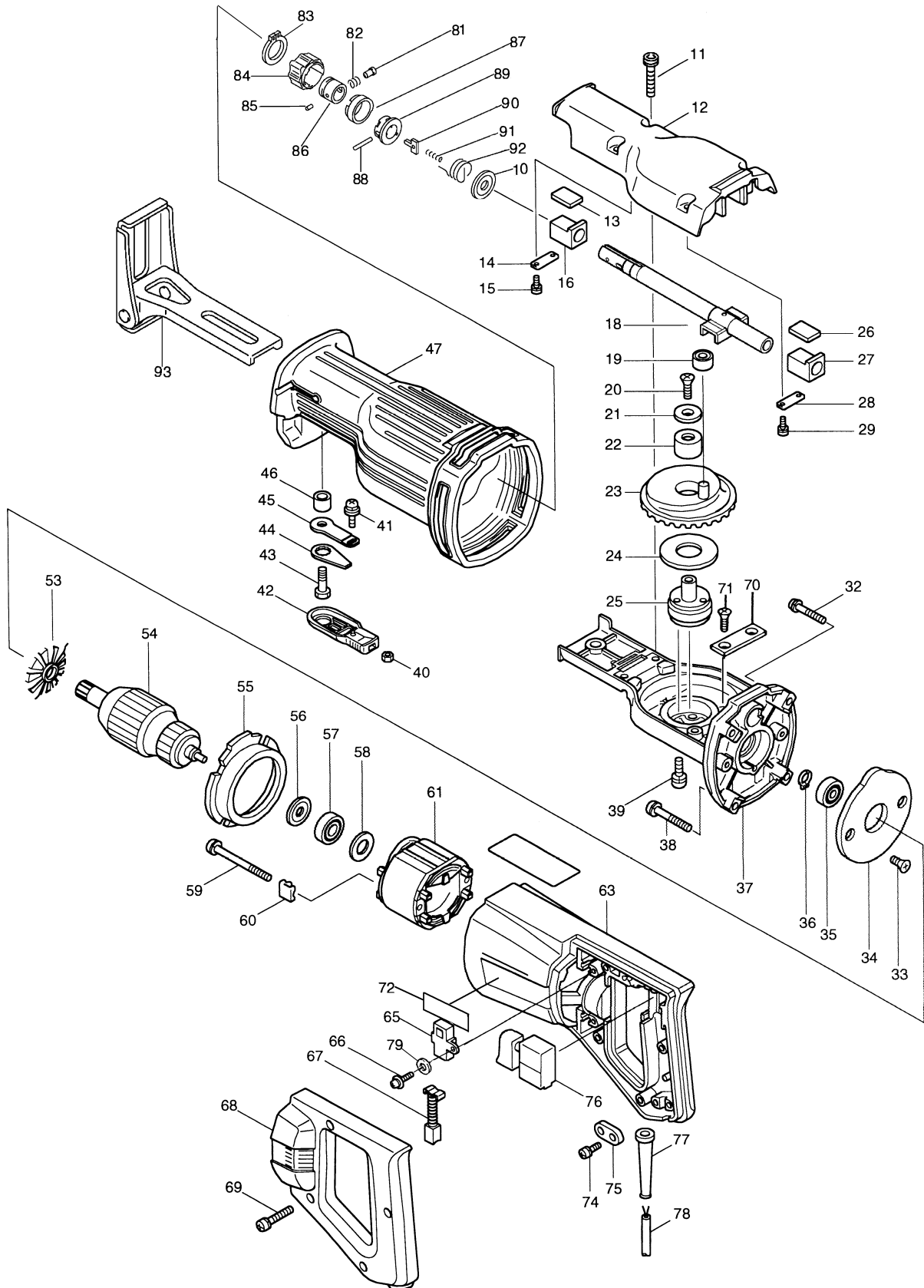
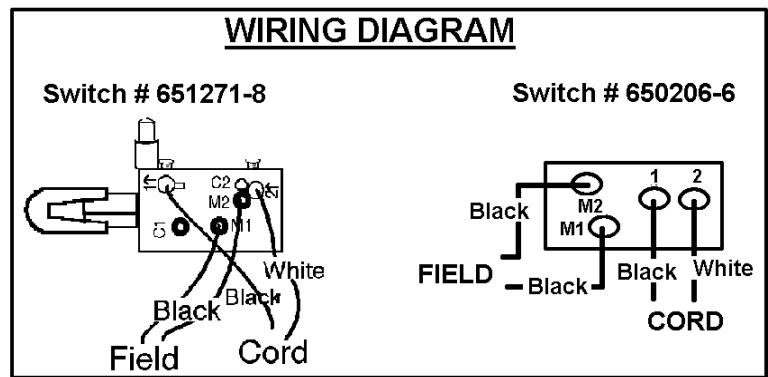
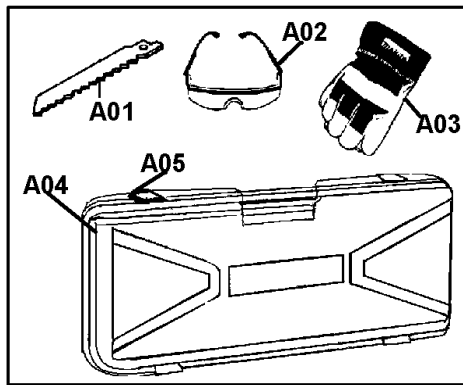




1-3/16" RECIPRO SAW V.S. + QUICK CHANGE

Model JR3000VT (MCA, MCC)





Item No.	Part No.	No. Used	Description	Item No.	Part No.	No. Used	Description
1	* 310138-6X	1	Clamp Clamping System Repair Kit (Includes Items 1-8 & 30)	37	* *	1	Gear Housing Com. (Includes 263002-9 - Rubber Pin 4) (MCA) Gear Hsg Com. (Includes 263002-9 - Rubber Pin 4) (MCC)
2	*	1	Steel ball 4.8	38	266012-5	2	Tapping Screw 5X35
3	*	1	Pin 5.5-6	39	911215-3	3	P.H. Screw M5X12
4	* *	1	Torx Socket Head Bolt M5X10(MCA) Torx S.H. Shoulder Bolt M5X10 (MCC)	40	931102-0	1	Hex. Nut M4
5	*	1	Push Pin	41	911114-9	1	P.H. Screw M4X10
6	*	1	Compression Spring 3	42	152904-3	1	Lever 60 Com. (Includes Item 40) (Old 272240-2)
7	*	1	Push Button	43	921442-4	1	Hex. Bolt M8X25
8	*	1	Compression Spring 16	44	344733-0	1	Lock Plate
9	*	1	Ring 13	45	344732-2	1	Inner Plate
10	*	1	Seal	46	257558-2	1	Sleeve 9
11	*	4	P.H. Screw M5X25	47	421723-1	1	Insulation Cover (MCA)
12	*	1	Gear Housing Cover		421792-2	1	Insulation Cover (MCC)
13	443070-0	1	Plate 12X16	48	*	1	Shoe Supporter
14	341462-6	1	Plate	49	*	1	Hex. Lock Nut M5-8
15	911225-0	2	P.H. Screw M5X16	50	*	1	Shoe Plate
16	*	1	Plane Bearing 12.7	51	*	1	Spring Washer 5
17	*	1	Spring Pin 3-16	52	*	1	Hex. Socket Head Bolt M5X50
18	*	1	Slider				
19	212001-8	1	Needle Bearing 708	53	241631-8	1	Fan 66 (MCA)
20	251372-8	1	+ Countersunk Head Screw M5X12 (MCA)		241832-8	1	Fan 62 (MCC)
	251969-3	1	H.S.H. Bolt M5X12 (MCC)	54	516161-1	1	Armature Assy (Includes Item 53, 56 & 57)(MCA)
21	253816-4	1	Flat Washer 6		516456-2	1	Armature Assy (Includes Item 53, 56 & 57)(MCC)
22	212115-3	1	Needle Bearing 1216	55	411612-8	1	Baffle Plate (MCA)
23	133244-8	1	Gear Assy (Includes Item 22)		417613-4	1	Baffle Plate (MCC)
24	253805-9	1	Flat Washer 18	56	681613-2	1	Insulation Washer (MCA)
25	321263-8	1	Gear Shaft		681653-0	1	Insulation Washer (MCC)
26	443070-0	1	Plate 12X16	57	211033-2	1	Ball Bearing 608LB
27	*	1	Plane Bearing 12.7	58	253192-6	1	Flat Washer 14
28	* 341462-6	1	Plate (MCA) Plate (MCC)	59	266044-2	2	Tapping Screw 5X60 (MCA)
29	911225-0	2	P.H. Screw M5X16		266095-5	2	Tapping Screw 5X55 (MCC)
30	*	1	Spring Washer 5	60	343657-7	2	Retainer (MCA only)
32	266012-5	2	Tapping Screw 5X35	61	594161-1	1	Field Assy (MCA)(Includes 2X654078-1 - Non-Insulated Terminal)
33	912122-3	2	Countersunk Head Screw M4X14 (Type 1)		594416-4	1	Field Assy (MCC)(Includes 2X654038-3 - Insulated Terminal FV 1.25-M4)
	251295-0	2	(+) Countersunk Head Screw M4x14 (With Adhesive) (Type 2)				
34	285650-4	1	Bearing Retainer 54				
35	211087-9	1	Ball Bearing 6200DDW				
36	961006-2	1	Retaining Ring S-10				

Item No.	Part No.	No. Used	Description	Item No.	Part No.	No. Used	Description
63	151986-2	1	Motor Housing Com. (Includes 263014-2 - Rubber Pin 4)(MCA)	85	268094-3	1	Pin 3 *
	183351-7	1	Motor Housing (Includes Item 72 & 263014-2 - Rubber Pin 4) (MCC)	86	331639-1	1	Guide Sleeve *
				87	417791-0	1	Driving Sleeve Guide *
				88	256158-5A	1	Pin 3 *
				89	310129-7	1	Sleeve *
65	643551-6	2	Brush Holder 5-8	90	345214-7	1	Push Plate *
66	265995-6	2	Tapping Screw 4X18	91	233025-1	1	Compression Spring 2 *
67	191956-9	2	Carbon Brush CB-75 (2pcs/Set)	92	231662-5	1	Torsion Spring 17 *
				93	163442-0	1	Shoe *
68	415240-1	1	Handle Cover (MCA)	Accessories			
	417611-8	1	Handle Cover (MCC)	A01	-----	1	Recipro Saw Blade (See Catalogue for Details)
69	265999-8	4	Tapping Screw 4X25		192342-7	1	Recipro Saw Blade Set (3pc)(Type 1)
70	343981-8	1	Plate (C) (Added) *		193572-3	1	Recipro Saw Blade Set (3pc)(Type 2)
71	251969-3	1	Bolt M5X12 (Added) *	A02	191686-A	1	Makita Safety Glasses
72	819063-3	2	Makita Label	A03	G-00001	1	Leather Work Gloves (Pair)
74	265995-6	2	Tapping Screw 4x18	A04	824412-1	1	Plastic Carrying Case (Includes Item A05)(MCA)
75	687063-9	1	Strain Relief		824539-7	1	Plastic Carrying Case (MCC)
76	650206-6	1	Switch (Old 651271-8)	A05	A00188-3	2	Snap Lock (L) (For 824412-1)
77	682502-4	1	Cord Guard 8-85				
78	664013-1	1	Cord With Plug 2P-18-2.5				
79	941101-4	2	Flat Washer 5				
81	256471-1	1	Shoulder Pin 5 *				
82	233345-3	1	Compression Spring 6 *				
83	961078-7	1	Retaining Rings (Ext) S-18 *				
84	162228-9	1	Driving Sleeve *				

SERVICE CHANGES

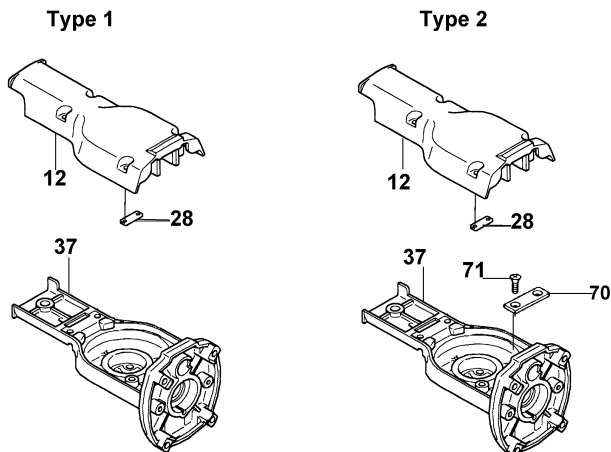
* SEE SERVICE CHANGES

1. Change on Torx Socket Head Bolt M5X10 (MCA)

Item No.	Description	Type 1	Type 2
4	Torx Socket Head Bolt M5X10/Torx S.H.S. Shoulder Bolt M5X10	266247-8	266272-9
30	Spring Washer 5	-----	267758-6

Above parts are completely interchangeable as a set.

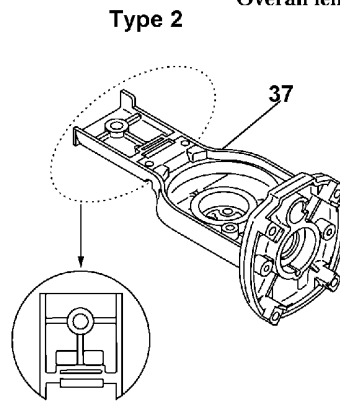
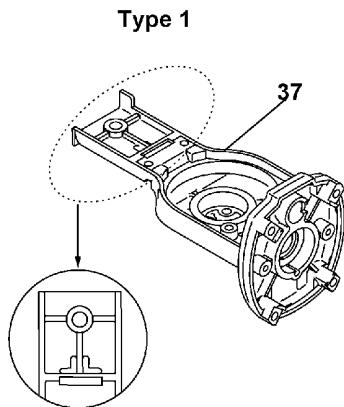
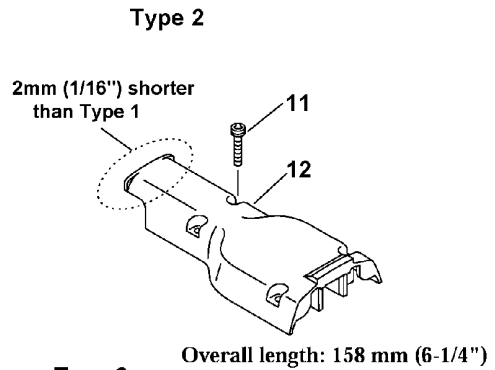
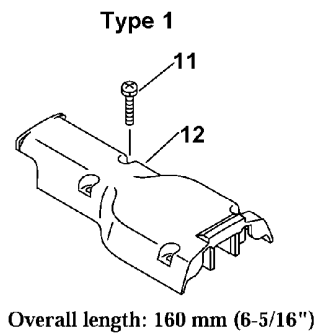
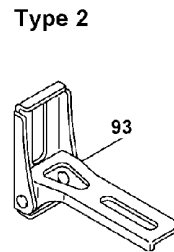
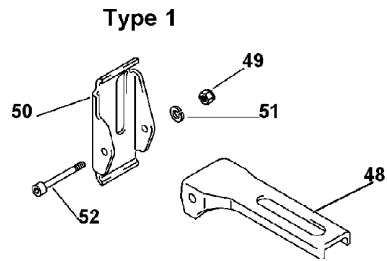
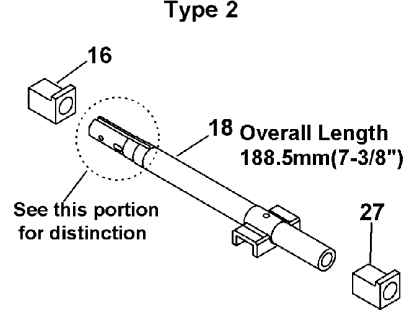
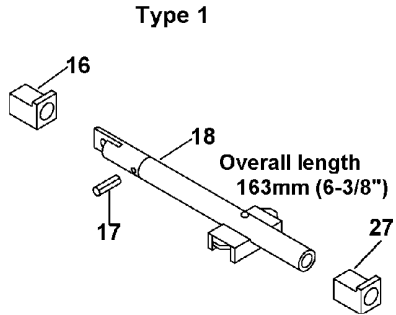
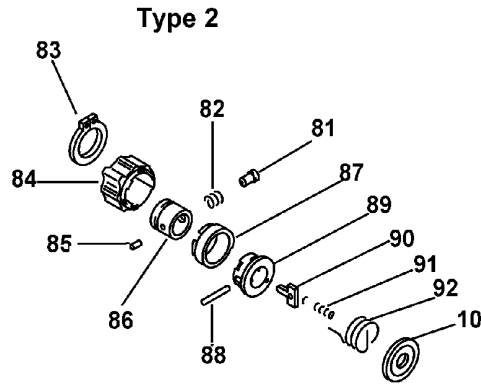
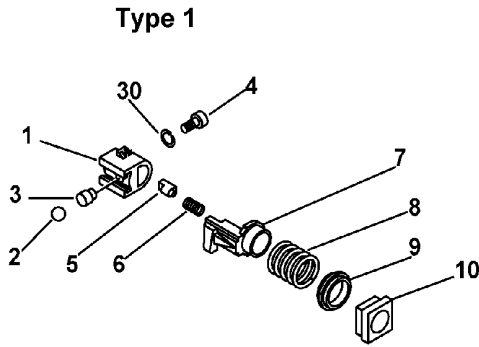
2. Change on Gear Housing Com. (MCA)



Item No.	Description	Type 1	Type 2
28	Plate	343526-2	341462-6
37	Gear Hsg Com.	151985-4 (No Longer Available)	151902-4
70	Plate (C)	-----	343981-8
71	Bolt M5X12	-----	251969-3 (2pcs)

Above parts are completely interchangeable as a set.

3. Change of Blade Clamping System, Slider, Shoe, Gear Housing Com. and Gear Housing Cover.



Item No.	Description	Type 1	Type 2
1	Clamp	310138-6 (Old 310088-5)	-----
2	Steel Ball 4.8	216002-8	-----
3	Pin 5.5 - 6	256454-1	-----
4	Torx. Socket Head Shoulder Bolt M5X10	266272-9	-----
5	Push Pin	323916-5	-----
6	Compression Spring 3	233018-8	-----
7	Push Button	162215-8	-----
8	Compression Spring 16	233247-3	-----
9	Ring 13	257226-7	-----
10	Seal	155322-4	213177-4 (Dust Seal 14)
11	Screw / Bolt	911241-2 (P.H. Screw M5X25)	922241-7 (Hex Socket Head Bolt M5X25)
12	Gear Housing Cover	317331-3	317691-3
16	Plane Bearing 12.7	214167-0	214169-6
17	Spring Pin 3-16	951063-8	-----
18	Slider	168339-8	168368-1
27	Plane Bearing 12.7	214167-0	214169-6
30	Spring Washer 5	267758-6	-----
37	Gear Housing Com.	153375-7	153672-1
48	Shoe Supporter	344925-1	-----
49	Hex Lock Nut M5-8	252103-8	-----
50	Shoe Plate	344801-9	-----
51	Spring Washer 5	942101-7	-----
52	Hex Socket Head Bolt M5X50	266241-0	-----
81	Shoulder Pin 5	-----	256471-1
82	Compression Spring 6	-----	233345-3
83	Retaining ring (Ext) S-18	-----	961078-7
84	Driving Sleeve	-----	162228-9
85	Pin 3	-----	268094-3
86	Guide Sleeve	-----	331639-1
87	Driving Sleeve Guide	-----	417791-0
88	Pin 3	-----	256158-5A
89	Sleeve	-----	310129-7
90	Push Plate	-----	345214-7
91	Compression Spring 2	-----	233025-1
92	Torsion Spring 17	-----	231662-5
93	Shoe	-----	163442-0

Above parts are completely interchangeable as a set.