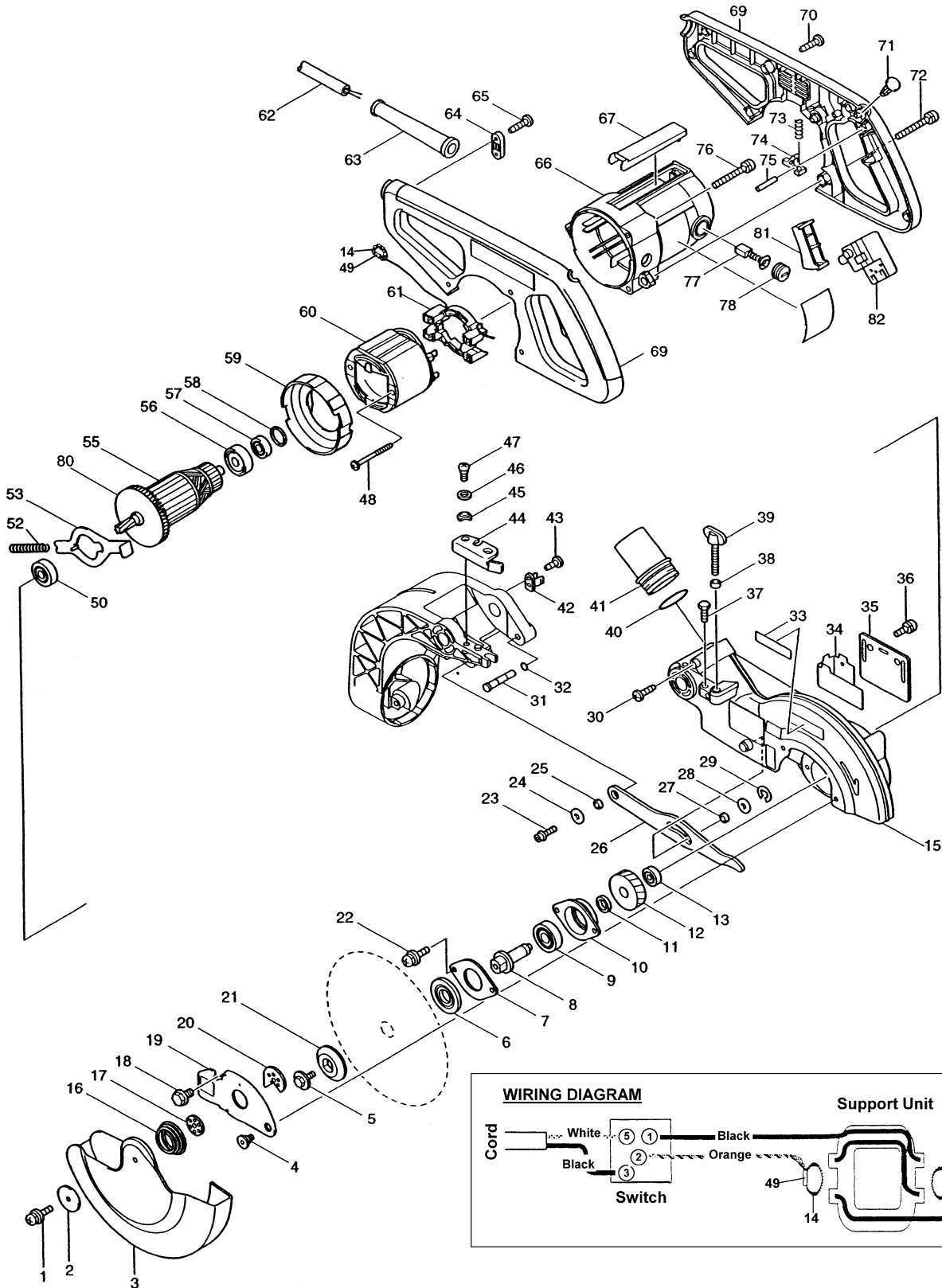
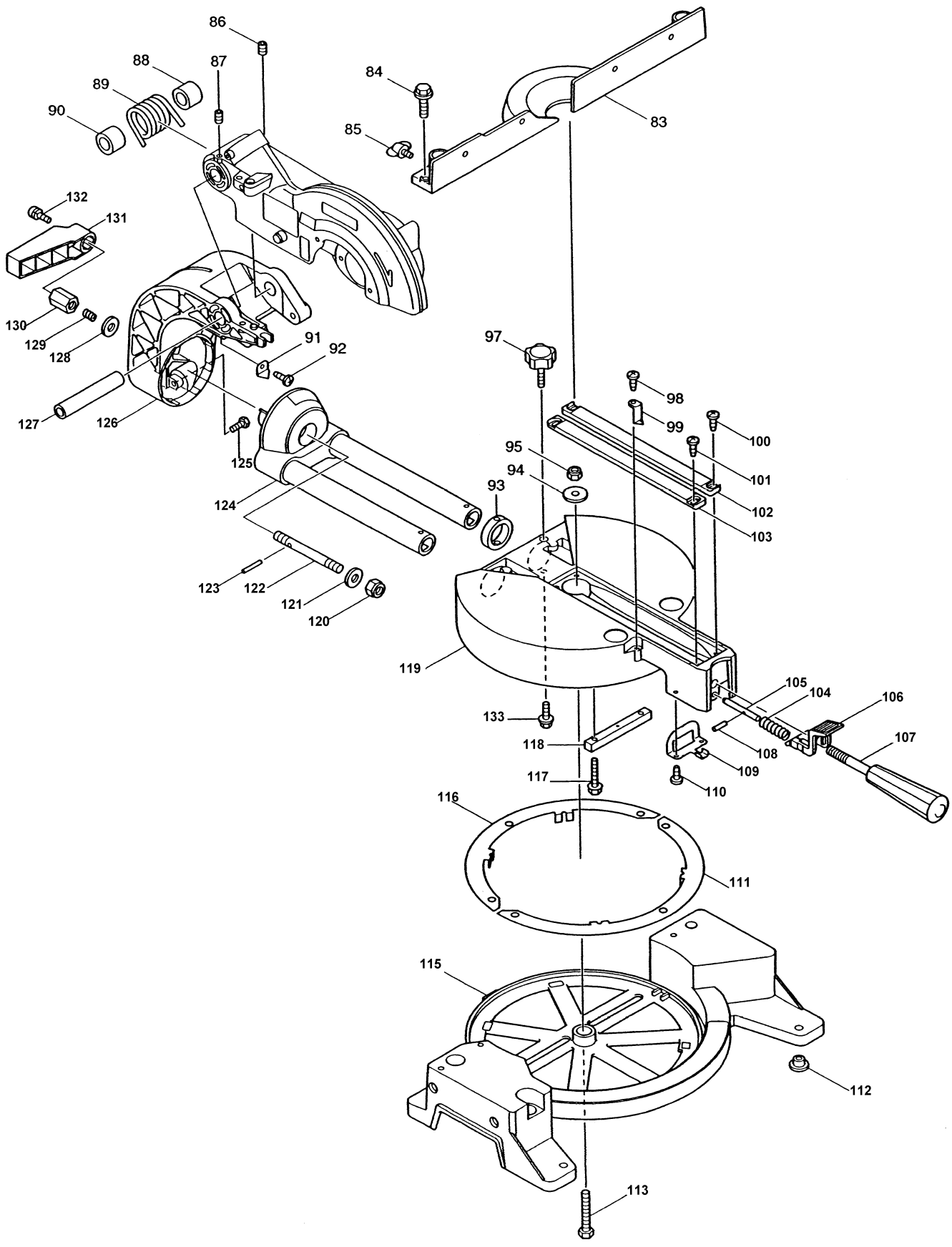
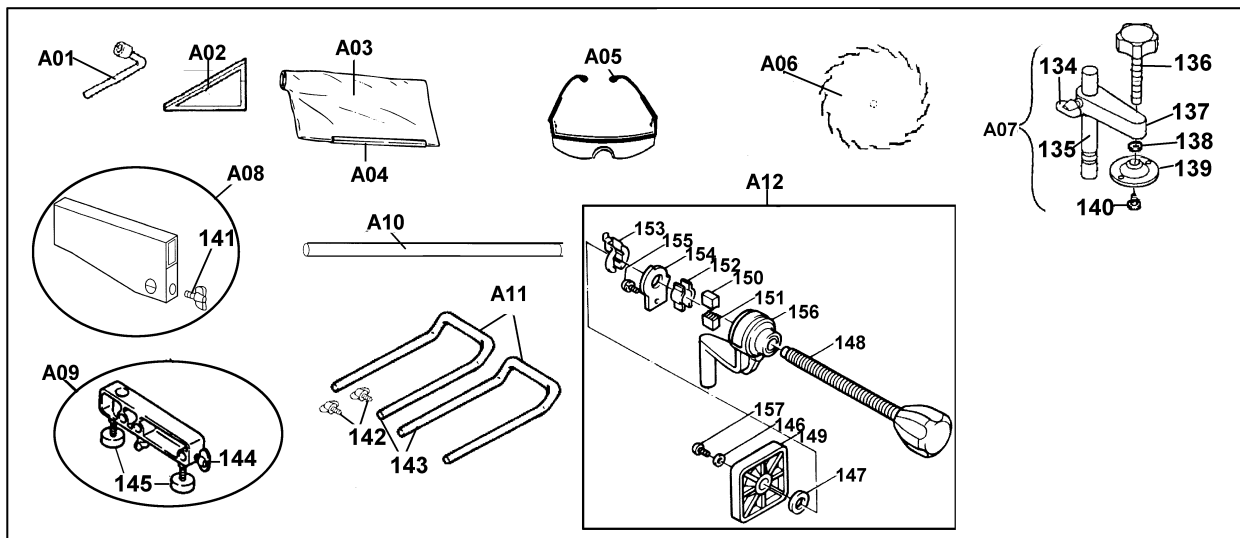


**7-1/2" SLIDE COMPOUND MITRE SAW (A.C.)
 Model LS0711Z(MCA)**





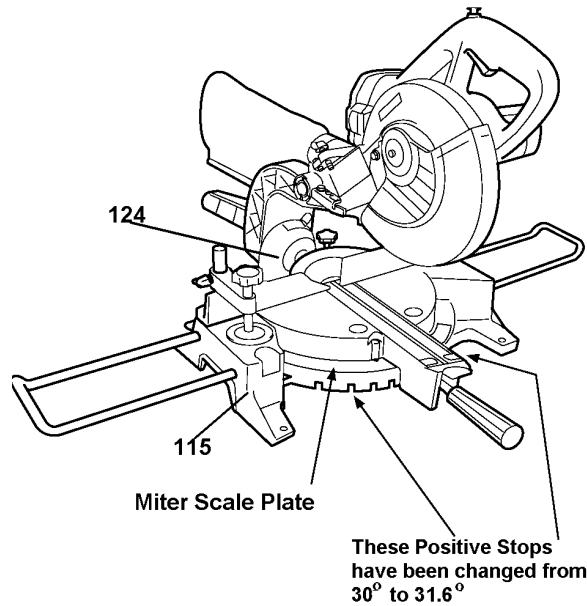
Item No.	Part No.	No. Used	Description	Item No.	Part No.	No. Used	Description
1	911228-4	1	P. H. Screw M5X18	53	344642-3	1	Shaft Lock
2	267136-0	1	Flat Washer 5	55	516336-2	1	Armature Assy (Includes 50, 56, 57 & 80)
3	416540-2	1	Safety Cover	56	681651-4	1	Insulation Washer
4	265985-9	1	Hex. Socket Head Bolt M6	57	211031-6	1	Ball Bearing 608LLB
5	265461-3	1	Hex. Bolt M6X18	58	261110-0	1	Urethane Washer 18
6	224151-7	1	Inner Flange 40 5/8"	59	416537-1	1	Baffle Plate
7	285689-7	1	Bearing Retainer 55	60	634306-0	1	Field
8	323798-5	1	Spindle	61	632847-0	1	Support Com.
9	211129-9	1	Ball Bearing 6201DDW	62	664059-7	1	Cord With Plug 2P-18-3.0
10	317037-3	1	Bearing Box	63	682503-2	1	Cord Guard 8-90
11	257010-0	1	Ring 12	64	687063-9	1	Strain Relief
12	226497-7	1	Helical Gear 47	65	265995-6	2	Tapping Screw 4X18
13	211021-9	1	Ball Bearing 607LLB	66	151822-2	1	Motor Housing Com. (Includes 643759-2 - 2XBrush Holder 5X11, 263002-9 - Rubber Pin 4 & 817881-3 - Caution Label Eng/Fr)
14	654020-2	2	Garter Spring	67	416538-9	1	Upper Cover
15	151863-8	1	Blade Case Com. (Includes 263002-9 - Rubber Pin 4, 263005-3 - Rubber Pin 6, 810970-3 - Caution Label Eng/Fr & 817667-5 - Caution Label Uni)	69	183177-7	1	Handle Set (Includes 810642-0 - Caution Label Eng/Fr)
16	231934-8	1	Spiral Spring 26	70	265995-6	5	Tapping Screw 4X18
17	344639-2	1	Center Washer (Silver, Gloss -> Grey, Frost)	71	411478-6	1	Switch Button
18	265473-6	1	Hex. Bolt M6X14	72	911273-9	3	P. H. Screw M5x50
19	344641-5	1	Center Cover	73	231026-3	1	Compression Spring 4
20	344640-7	1	Center Plate (Silver, Gloss -> Grey, Frost)	74	416533-9	1	Lock Off Lever
21	224275-9	1	Outer Flange 40	75	256098-7	1	Pin 5
22	911223-4	2	P. H. Screw M5X16	76	911273-9	3	P. H. Screw M5X50
23	922331-6	1	Hex. Socket Head Bolt M6X20	77	191963-2	1	Carbon Brush CB-303 (2pcs/Set)
24	253804-1	1	Flat Washer 6	78	643755-0	2	Holder Cap
25	257163-5	1	Ring 6	80	240030-1	1	Fan 70
26	344999-2	1	Link Plate (Old 344645-7) (Silver, Gloss ->Grey, Frost)	81	416534-7	1	Switch Lever
27	257163-5	1	Ring 6	82	651923-1	1	Switch Without Lock
28	253804-1	1	Flat Washer 6	83	317235-9	1	Guide Fence
29	961018-5	1	Stop Ring E-5	84	921341-0	3	Hex. Bolt M6X25
30	266061-2	1	Tapping Screw Bind CT 4X8	85	251887-5	1	Screw M6X10
31	322317-4	1	Stopper Pin	86	251961-9	1	Hex. Socket Head Bolt M6X10
32	213021-5	1	O Ring 5	87	251961-9	1	Hex. Socket Head Bolt M6X10
33	819063-3	1	Makita Label	88	416535-5	1	Sleeve 17
34	344644-9	1	Guard Plate	89	231638-2	1	Torsion Spring 28
35	421626-9	1	Guard	90	416535-5	1	Sleeve 17
36	911113-1	1	P. H. Screw M4X10	91	343678-9	1	Pointer
37	265381-1	1	Hex. Bolt M6X16	92	266026-4	1	Tapping Screw Bind CT 4X12
38	262001-8	1	Urethane Ring 5	93	257214-4	1	Ring 26
39	265710-8	1	Thumb Screw M6X33	94	253731-2	1	Flat Washer 8
40	213460-9	1	O Ring 35	95	252105-4	1	Hex. Lock Nut M8-13
41	416133-5	1	Dust Nozzle	97	251897-2	1	Screw M6X33
42	416536-3	1	Wrench Holder	98	266026-4	1	Tapping Screw Bind CT 4X12
43	266026-4	1	Tapping Screw Bind CT 4X12	99	416355-7	1	Indication Plate
44	344643-1	1	Stopper Arm	100	266026-4	2	Tapping Screw Bind CT 4X12
45	253948-7	1	Wave Washer 8	101	266026-4	2	Tapping Screw Bind CT 4X12
46	253835-0	1	Flat Washer 8	102	416539-7	1	Kerf Board
47	251267-5	1	+ P. H. Screw M6	103	416539-7	1	Kerf Board
48	266046-8	2	Tapping Screw 5x50	104	231325-3	1	Compression Spring 6
49	654555-3	2	Connector 34130	105	323741-4	1	Lock Pin
50	211101-1	1	Ball Bearing 6001LLB	106	416450-3	1	Lock Lever
52	233092-6	1	Compression Spring 5	107	273515-2	1	Grip 32
				108	256158-5A	1	Pin 3
				109	344601-7	1	Lock Plate



Item No.	Part No.	No. Used	Description	Item No.	Part No.	No. Used	Description
110	266026-4	2	Tapping Screw Bind CT 4X12	140	251370-2	1	+ P. H. Screw M5
111	344646-5	1	Slide Plate	141	251887-5	1	Screw M6X10
112	286212-1	5	Cap 20	142	265708-5	2	Screw M6X20
113	921472-5	1	Hex. Bolt M8X50	143	322312-4	2	Holder
115	*	1	Base Com. (Includes *_ Miter Scale Plate & 817838-4 - Caution Label Eng/Fr)	144	251887-5	2	Screw M6X10
116	344646-5	1	Slide Plate	145	265917-6	2	Adjust Bolt M8X42
117	925251-3	2	Hex Bolt M5X30	146	253047-5	1	Flat Washer 6
118	152593-4	1	Square Rod Com. (Includes 263005-3 - Rubber Pin 6)	147	253744-3	1	Flat Washer 12
119	151864-6	1	Turn Base Com. (Includes 2X211376-2 - Linear Ball Bearing 2560, 4X262077-5 - Felt Ring 25, 263005-3 - Rubber Pin 6, 2X344638-4 - Cap 35 & 2X817283-3 - Caution Label)	148	271272-6	1	Knob 45
120	252130-5	1	Hex. Lock Nut M10-17	149	315891-9	1	Vice Plate
121	253024-7	1	Flat Washer 10	150	321490-7	1	Release Nut R
122	266184-6	1	Screw M10	151	321491-5	1	Release Nut L
123	256100-6	1	Pin 5	152	341911-3	2	Protector
124	*	1	Arm Holder Com. (Includes * - Bevel Scale Label)	153	341912-1	1	Nut Holder
125	265381-1	2	Hex. Bolt M6X16	154	342967-9	1	Set Plate
126	151677-5	1	Arm Com. (Includes 816787-2 - Indication Label Eng)	155	911216-1	1	P. H. Screw M5X14
127	331350-5	1	Pipe 16-90	156	151201-4	1	Vise Arm Com.
128	253024-7	1	Flat Washer 10	157	911317-5	1	P. H. Screw M6X14
129	231266-3	1	Compression Spring 5	Accessories			
130	252144-4	1	Hex. Nut M10-17	A01	782223-9	1	Box Wrench
131	416006-2	1	Lever 100	A02	762001-3	1	Triangular Rule
132	911113-1	1	P. H. Screw M4X10	A03	122523-9	1	Dust Bag Assy
133	922111-0	1	Hex. Socket Head Bolt M4X10	A04	410602-8	1	Fastener
134	251887-5	1	Screw M6X10	A05	191686-A	1	Makita Safety Glasses
135	322313-2	1	Vise Rod	A06	A-90629	1	7-1/2" C.T. Saw Blade 5/8" Arbor 40T F/ Wood (For LS0711Z ONLY)
136	265733-6	1	Thumb Screw M10X60	A07	122571-8	1	Vice Assy (Includes Items 134 - 140)
137	316938-2	1	Vise Arm	A08	122472-0	1	Set Plate Assy (Includes Item 141)
138	253804-1	1	Flat Washer 6	A09	192713-8	1	Holder Assy (Includes Items 144 & 145)
139	343651-9	1	Vise Plate	A10	256812-1	1	Rod 12
				A11	192621-3	1	Holder Set (Includes Item 142 & 143)
				A12	122567-9	1	Vice Assy (Includes Items 146 - 157)

SERVICE CHANGES

1. Change on Base Complete and Arm Holder Com.



Item No.	Description		Type 1	Type 2
115	Base Com.		151675-9	152643-5
	Includes	Mitre Scale Plate	816339-6 (30°)	816339A6 (31.6°)
		Caution Label (E/F)	817838-4	
124	Arm Holder Com.		151678-3	151678B3
	Includes	Bevel Scale Label	816338-1 (30°)	816338A1 (31.6°)
		Positive Stop	30°	31.6°

Above parts are completely interchangeable as a set.