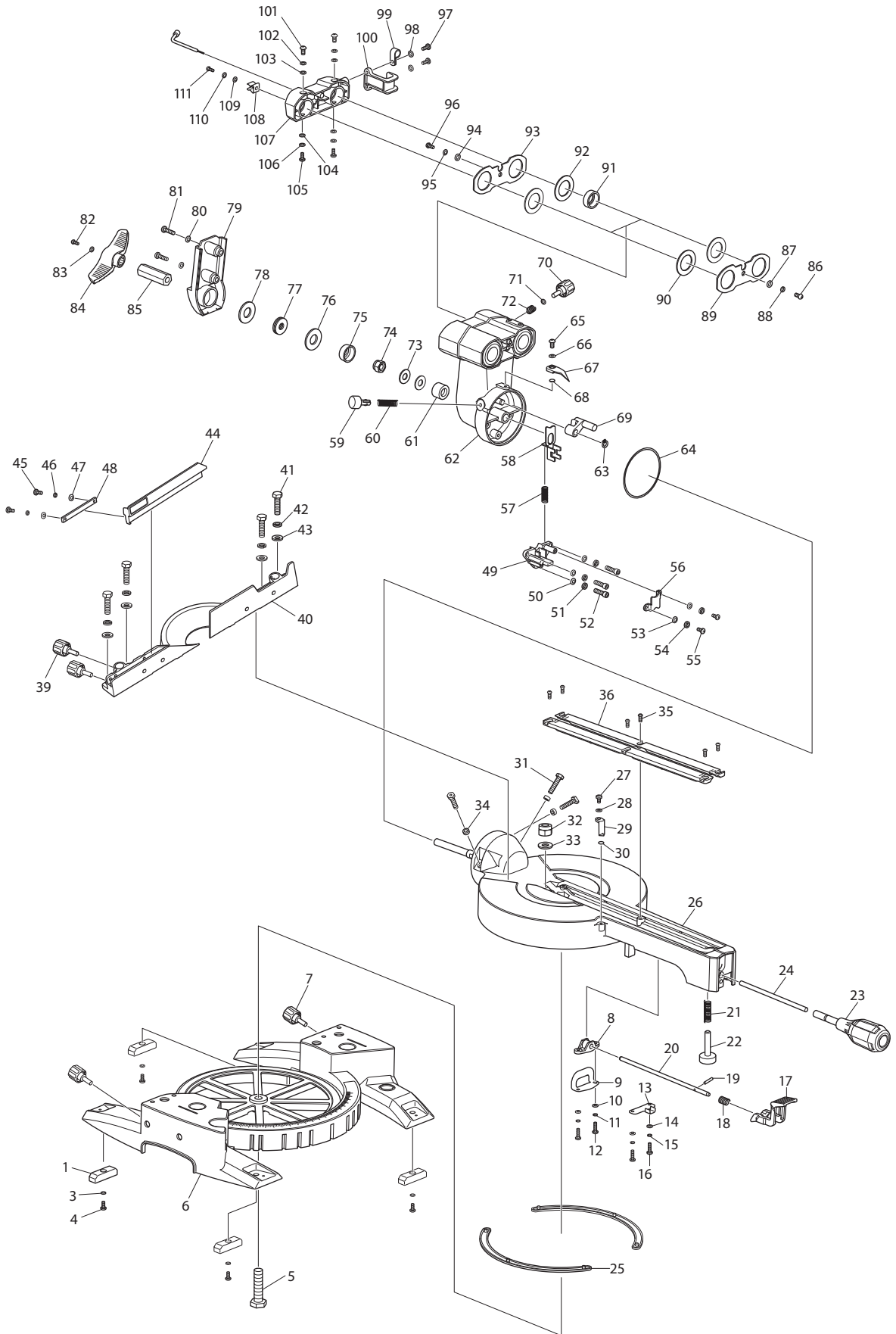


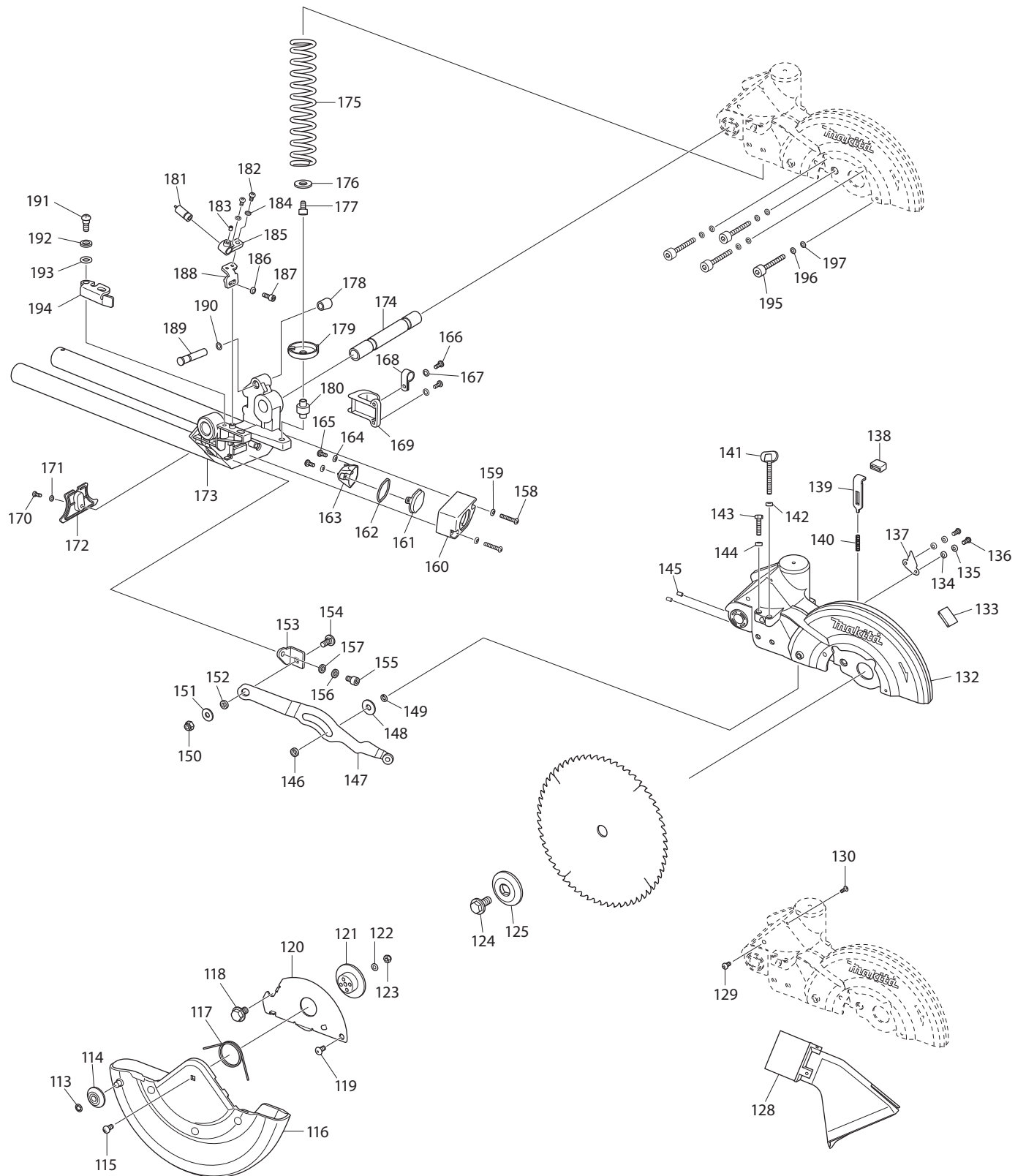


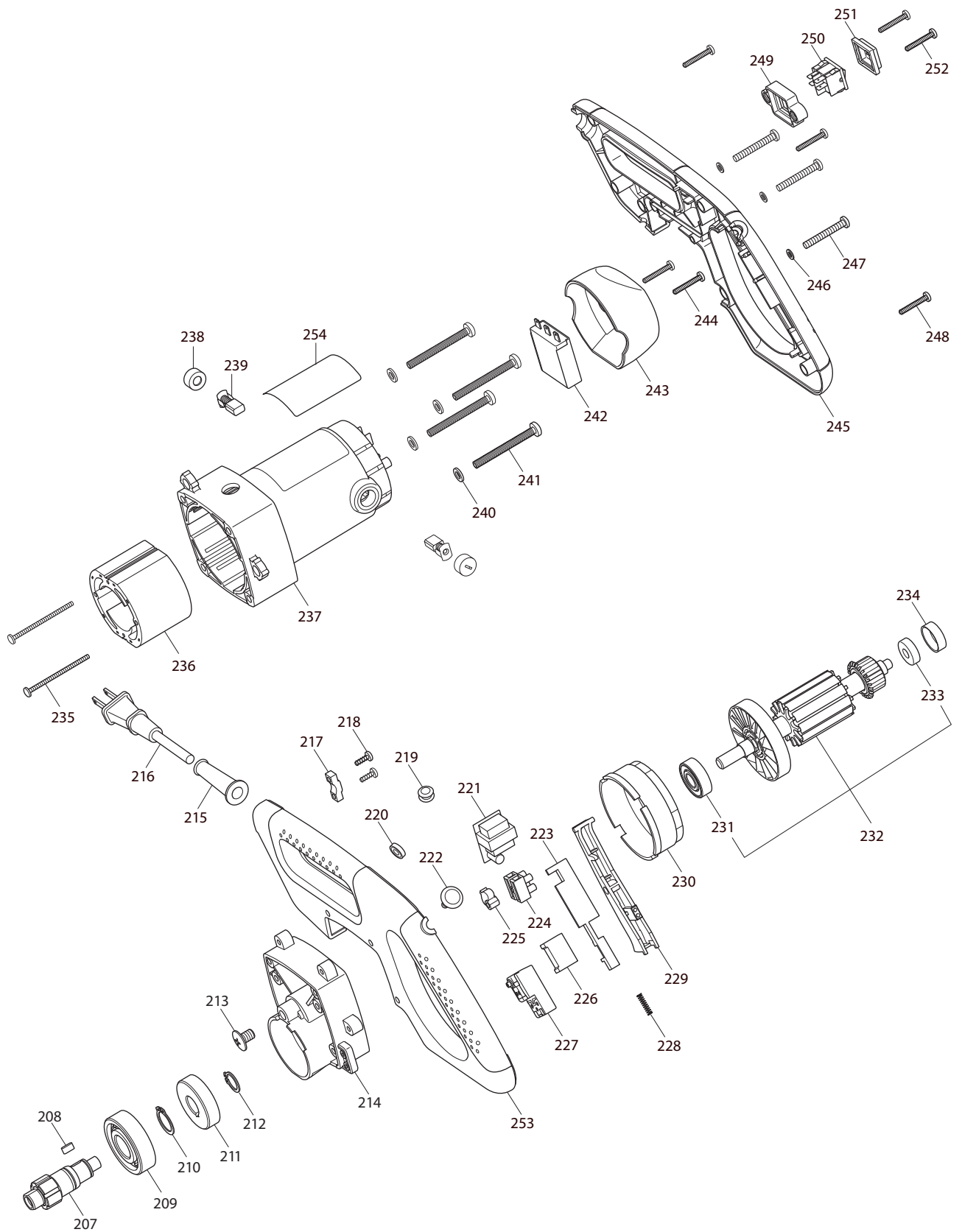
05 - 2014

LS0815FL

8-1/2" SLIDE COMPOUND MITRESAW







Item	Type	Sub	Parts_No.	Parts_Description	Qty	Unit
001			JM23500132	BUFFER PAD	4	PC.
002			JM23000127	* HOLDER	2	PC.
003			JM23100016	FLAT WASHER 4	4	PC.
004			JM23500008	CROSS HEAD SCREW M4X10	4	PC.
005			JM23500009	PIVOT SHAFT	1	PC.
006	2		JM23510001	* BASE COMPLETE	1	PC.
007	2		JM00000074	* PAN HEAD SCREW M6X20	2	PC.
008			JM23100025	WORKING TABLE LOCKING BRACKET	1	PC.
009			JM23100020	LOCK PLATE B	1	PC.
010			JM23100016	FLAT WASHER 4	2	PC.
011			JM23100015	SPRING WASHER 4	2	PC.
012	2		JM23100033	PAN HEAD SCREW M4X12	2	PC.
013			JM23100018	LOCK PLATE A	1	PC.
014			JM23100016	FLAT WASHER 4	2	PC.
015			JM23100015	SPRING WASHER 4	2	PC.
016	2		JM23100033	PAN HEAD SCREW M4X12	2	PC.
017			JM23100023	PRESS PLATE	1	PC.
018			JM23100021	LOCK SPRING	1	PC.
019			JM23100022	LOCK PIN	1	PC.
020			JM23500015	LOCK SHAFT B	1	PC.
021			JM23500014	SPRING11	1	PC.
022			JM23500013	ADJUSTABLE ROD	1	PC.
023			JM23100027	MITER LOCKING HANDLE	1	PC.
024			JM23500016	LOCK SHAFT A	1	PC.
025			JM23500012	FRICTION PLATE	2	PC.
026	1		JM23510017	* WORKING TABLE COMPLETE	1	PC.
		INC.	JM23500017	* BEVEL SCALE LABEL	1	PC.
		INC.	JM23500018	* LOCKING ROD	1	PC.
		INC.	JM23500019	* WORKING TABLE	1	PC.
		INC.	JM23500020	* ELASTIC PIN 4X30	1	PC.
		INC.	JM23500021	* HEX NUT M10	1	PC.
026	2		JM23510002	* WORKING TABLE COMPLETE	1	PC.
		INC.	JM23500020	* ELASTIC PIN 4X30	1	PC.
		INC.	JM23500021	* HEX NUT M10	1	PC.
027	2		JM23100033	PAN HEAD SCREW M4X12	1	PC.
028			JM23100016	FLAT WASHER 4	1	PC.
029			JM23100030	MITER POINTER	1	PC.
030			JM23500053	EXTERNAL TOOTHED LOCK WASHER 4	1	PC.
031	2		JM23100034	HEX BOLT M6X28	1	PC.
032			JM23500023	LOCKNUT M8	1	PC.
033			JM23500022	FLAT WASHER 8	1	PC.
034	2		JM23100035	ANTI-LOOSEN RING	1	PC.
035	2		JM23100033	PAN HEAD SCREW M4X12	6	PC.
036			JM23100029	TABLE INSERT	2	PC.
039			JM23100013	KNOB FOR EXT.WING	2	PC.
040	1		JM23500026	* RIP FENCE	1	PC.
	2		JM00000081	* RIP FENCE	1	PC.
041			JM23100062	HEX BOLT M8X30	4	PC.
042			JM23100061	SPRING WASHER 8	4	PC.
043			JM23100060	FLAT WASHER 8	4	PC.
044	1		JM23500025	* SUB FENCE	1	PC.

MODEL LS0815FL

	2	JM00000080	* SUB FENCE COMPLETE	1 PC.
045		JM23100065	CROSS HEAD SCREW M4X8	2 PC.
046		JM23100015	SPRING WASHER 4	2 PC.
047		JM23100016	FLAT WASHER 4	2 PC.
048		JM23500024	KEY	1 PC.
049		JM23500095	45DEGREE LIMIT BRACKET	1 PC.
050		JM23100007	FLAT WASHER 5	3 PC.
051		JM23100149	SPRING WASHER 5	3 PC.
052		JM23500096	H.S.BOLT M5X14	3 PC.
053		JM23100016	FLAT WASHER 4	2 PC.
054		JM23100015	SPRING WASHER 4	2 PC.
055		JM23500008	CROSS HEAD SCREW M4X10	2 PC.
056		JM23500097	45DEGREE COVER	1 PC.
057		JM23500094	SPRING8	1 PC.
058		JM23500093	45DEGREE LIMIT PLATE	1 PC.
059		JM23100051	LIMITED KNOB	1 PC.
060		JM23100049	MITER PRESSION SPRING	1 PC.
061		JM23100052	CLAMP PLATE	1 PC.
062		JM23510008	SUPPORT ARM COMPLTE	1 PC.
	INC.		Item No. 261-266	PC.
063		JM23500079	RETAINING RING 8	1 PC.
064		JM23500078	FRICTION RING	1 PC.
065	2	JM23100033	PAN HEAD SCREW M4X12	1 PC.
066		JM23100016	FLAT WASHER 4	1 PC.
067		JM23100048	BEVEL POINTER	1 PC.
068		JM23500053	EXTERNAL TOOTHED LOCK WASHER 4	1 PC.
069		JM23500080	90DEGREE LIMIT BRACKET	1 PC.
070		JM23100086	SLIDING BAR LOCKING KNOB	1 PC.
071		JM23100190	SPECIAL WASHER 6	1 PC.
072		JM23100088	PRESSURE SPRING	1 PC.
073		JM23100010	FLAT WASHER 10	2 PC.
074		JM23100009	LOCKNUT M10	1 PC.
075		JM23100053	BOWL TYPE PLATE	1 PC.
076		JM23100055	BIG FLAT WASHER 10X26X2.5	1 PC.
077		JM23100054	SURFACE BEARING	1 PC.
078		JM23100055	BIG FLAT WASHER 10X26X2.5	1 PC.
079		JM23500086	SUPPORT ARM COVER	1 PC.
080		JM23100007	FLAT WASHER 5	2 PC.
081		JM23100006	CROSS HEAD SCREW M5X20	2 PC.
082		JM23100019	CROSS HEAD SCREW M4X18	1 PC.
083		JM23100016	FLAT WASHER 4	1 PC.
084		JM23500087	BEVEL LOCKING HANDLE	1 PC.
085		JM23500088	HEX NUT	1 PC.
086		JM23500081	CROSS HEAD SCREW M5X	1 PC.
087		JM23100007	FLAT WASHER 5	1 PC.
088		JM23100149	SPRING WASHER 5	1 PC.
089		JM23500082	SUPPORT ARM COVER	1 PC.
090		JM23500083	DUSTPROOF RING	2 PC.
091		JM23500084	BEARING GASKET (removed)	1 PC.
092		JM23500083	DUSTPROOF RING	2 PC.
093		JM23500082	SUPPORT ARM COVER	1 PC.

094		JM23100007	FLAT WASHER 5	1 PC.
095		JM23100149	SPRING WASHER 5	1 PC.
096		JM23500081	CROSS HEAD SCREW M5X	1 PC.
097	2	JM23100019	CROSS HEAD SCREW M4X18	1 PC.
098	2	JM23100016	FLAT WASHER 4	1 PC.
099	2	JM23100194	CORD CLAMP	1 PC.
100		JM23500066	CABLE HOLDER BRACKET	1 PC.
101		JM23500081	CROSS HEAD SCREW M5X	2 PC.
102		JM23100149	SPRING WASHER 5	2 PC.
103		JM23100007	FLAT WASHER 5	2 PC.
104		JM23100007	FLAT WASHER 5	2 PC.
105		JM23500081	CROSS HEAD SCREW M5X	2 PC.
106		JM23100149	SPRING WASHER 5	2 PC.
107		JM23500085	SLIDING BAR BRACKET	1 PC.
108		JM23100091	WRENCH CLIP	1 PC.
109		JM23100016	FLAT WASHER 4	1 PC.
110		JM23100015	SPRING WASHER 4	1 PC.
111	2	JM23100033	PAN HEAD SCREW M4X12	1 PC.
113		JM23100103	WHEEL LOCK RING	1 PC.
114		JM23100102	GUARD WHEEL	1 PC.
115		JM23500031	SQUARE NECK BOLT M5X12	1 PC.
116	1	JM23510004	LOW BLADE GUARD	1 PC.
		INC. JM23500032	LOW BLADE GUARD	1 PC.
		INC. JM23500033	LOW GUARD SUPPORT PLATE	1 PC.
	2	JM23510024	LOW BLADE GUARD	1 PC.
		INC. JM23500032	LOW BLADE GUARD	1 PC.
		INC. JM23500033	LOW GUARD SUPPORT PLATE	1 PC.
117		JM23500035	GUARD SPRING	1 PC.
118		JM23500134	HEX BOLT M8X15	1 PC.
119		JM23100113	CROSSHEAD SCREW FOR GUARD	1 PC.
120		JM23500036	LOW GUARD FIX PLATE	1 PC.
121		JM23500037	GUARD LINKAGE CENTER PLATE	1 PC.
122		JM23100007	FLAT WASHER 5	1 PC.
123		JM23100141	LOCKNUT M5	1 PC.
124		JM23500135	BLADE BOLT	1 PC.
125	2	JM23500038	BLADE FLANGE	1 PC.
128		JM23500039	DUST PORT	1 PC.
129	2	JM23500040	CROSS HEAD SCREW ST4.2X12	1 PC.
130	2	JM23500040	CROSS HEAD SCREW ST4.2X12	1 PC.
131		JM23500034	CROSS HEAD SCREW	1 PC.
132		JM23510005	UP BLADE GUARD COMPLETE	1 PC.
		INC.	Item No. 271-273	PC.
133		JM23500047	GUARD INSERT	1 PC.
134		JM23100016	FLAT WASHER 4	2 PC.
135		JM23100015	SPRING WASHER 4	2 PC.
136	2	JM23100033	PAN HEAD SCREW M4X12	2 PC.
137		JM23500048	LOCK PLATE	1 PC.
138		JM23100138	LOCK COVER	1 PC.
139	2	JM23500139	LOCK PLATE	1 PC.
140		JM23500049	LOCK SPRING5	1 PC.
141		JM23100119	LIMITED KNOB	1 PC.

142		JM23100035	ANTI-LOOSEN RING	1 PC.
143		JM23500051	HEX BOLT M6X25	1 PC.
144		JM23100035	ANTI-LOOSEN RING	1 PC.
145		JM23500052	H.S.SET SCREW	2 PC.
146		JM23100098	LINK SLEEVE	1 PC.
147		JM23510003	LINK COMPLETE	1 PC.
	INC.	JM23500028	LINK	1 PC.
	INC.	JM23500029	LINK PIN	1 PC.
	INC.	JM23500030	BEARING 695Z	1 PC.
148		JM23100071	THIN FLAT WASHER 6	1 PC.
149		JM23100115	RETAINING RING 5	1 PC.
150		JM23500027	LOCK THIN NUT	1 PC.
151		JM23100071	THIN FLAT WASHER 6	1 PC.
152		JM23100098	LINK SLEEVE	1 PC.
153		JM23500055	LINK FIX PLATE	1 PC.
154		JM23500054	SQUARE NECK BOLT M6X14	1 PC.
155		JM23500071	H.S.BOLT M6X12	1 PC.
156		JM23100151	SPRING WASHER 6	1 PC.
157		JM23100190	SPECIAL WASHER 6	1 PC.
158		JM23500056	CROSS HEAD SCREW M4X28	2 PC.
159		JM23100016	FLAT WASHER 4	2 PC.
160		JM23500057	LAMP COVER	1 PC.
161		JM23500058	LAMP LENZ	1 PC.
162		JM23500059	SEALING RING	1 PC.
163		JM23510006	LAMP ASSY	1 PC.
	INC.	JM23500060	REFLECTOR	1 PC.
	INC.	JM23500061	LIGHT	1 PC.
164		JM23500128	FLAT WASHER 3	2 PC.
165		JM23500062	S.T.CROSS HEAD SCREW 9X13	2 PC.
166	2	JM23100019	CROSS HEAD SCREW M4X18	1 PC.
167	2	JM23100016	FLAT WASHER 4	1 PC.
168	2	JM23100194	CORD CLAMP	1 PC.
169		JM23500066	CABLE HOLDER BRACKET	1 PC.
170		JM23500008	CROSS HEAD SCREW M4X10	1 PC.
171		JM23100016	FLAT WASHER 4	1 PC.
172		JM23500077	BRACKET BACK COVER	1 PC.
173	1	JM23510020	UP BLADE GUARD BRACKETCOMPLETE	1 PC.
	INC.	JM23500075	ELASTIC PIN 5	2 PC.
	INC.	JM23500076	UP BLADE GUARD BRACKET	1 PC.
	2	JM23510007	UP BLADE GUARD BRACKET COMP	1 PC.
174		JM23500064	CONNECTION SHAFT	1 PC.
175		JM23500072	SPRING32	1 PC.
176		JM23500022	FLAT WASHER 8	1 PC.
177		JM23500071	H.S.BOLT M6X12	1 PC.
178		JM23100097	PIN CAP	1 PC.
179		JM23500065	SPRING BRACKET	1 PC.
180		JM23500063	SPRING SUPPORT PIN	1 PC.
181		JM23500070	LASER	1 PC.
182	2	JM23100146	H.S.BOLT M4X10	2 PC.
183		JM23500069	H.S.SET SCREW	1 PC.
184		JM23100016	FLAT WASHER 4	2 PC.

185		JM23500067	LASER BRACKET	1 PC.	
186		JM23100016	FLAT WASHER 4	1 PC.	
187	1	JM23100067	H.S.BOLT M4X12	1 PC.	
	2	JM23100146	H.S.BOLT M4X10	1 PC.	
188		JM23500073	LASER MOVING PLATE	1 PC.	
189	2	JM23100193	PIN C	1 PC.	
190		JM23100150	SEALING RING	1 PC.	
191		JM23100096	DEPTH ADJUSTABLE PLATE BOLT	1 PC.	
192		JM23100060	FLAT WASHER 8	1 PC.	
193		JM23100094	WAVE SPRING WASHER	1 PC.	
194		JM23100092	CUTTING DEPTH ADJUSTABLE PLATE	1 PC.	
195		JM23500041	H.S.BOLT M6X40	4 PC.	
196		JM23100151	SPRING WASHER 6	4 PC.	
197		JM23100190	SPECIAL WASHER 6	4 PC.	
207		JM23500103	OUTPUT SHAFT	1 PC.	
208		JM23100156	KEY 5X10	1 PC.	
209		JM23100157	BEARING 6304	1 PC.	
210		JM23100158	RETAINING RING 20	1 PC.	
211		JM23500104	GEAR WHEEL	1 PC.	
212		JM23100160	RETAINING RING 16	1 PC.	
213		JM23100161	OUTPUT SHAFT SCREW M8X12	1 PC.	
214		JM23510011	GEAR BOX COMPLETE	1 PC.	
215	2	JM23100195	PROTECTION TUBE	1 PC.	
	3	JM00000268	PROTECTION TUBE	1 PC.	
216		JM23000163	POWER SUPPLY CORD	1 PC.	
217		JM23100166	CORD CLAMP	1 PC.	
218	2	JM23500040	CROSS HEAD SCREW ST4.2X12	2 PC.	
219		JM23500108	PROTECTIVE SLEEVE	1 PC.	
221		JM23500106	TRANSFORMER	1 PC.	
222		JM23100177	BRAKE SYSTEM SWITCH KEY	1 PC.	
223		JM23100175	SWITCH LOCK PLATE	1 PC.	
224		JM23100171	TERMINAL POLE	1 PC.	
225		JM23100173	SWITCH LOCK BRACKET	1 PC.	
226		JM23100169	CAPACITOR	1 PC.	
227		JM23100179	ELECTRIC SWITCH	1 PC.	
228		JM23100176	SWITCH HANDLE SPRING	1 PC.	
229		JM23100174	SWITCH HANDLE	1 PC.	
230		JM23500110	BAFFLER RING	1 PC.	
231		JM23500137	BALL BEARING 6201	1 PC.	
232		JM23500003	ARMATURE(120V)	1 PC.	
		INC.	Item No. 231,233	PC.	
233		JM23500111	BEARING 608	1 PC.	
234		JM23500112	DAMPING RING	1 PC.	
235		JM23500113	S.T. CROSS HEAD 4.2X65	2 PC.	
236		JM23500006	FIELD 120V	1 PC.	
237	1	JM23510022	* MOTOR HOUSING COMPLETE	1 PC.	
		INC.	JM23500115	* BRUSH HOLDER	2 PC.
		INC.	JM23100185	* H.S.SCREW M5X8 (removed)	2 PC.
237	2	JM23510012	* MOTOR HOUSING COMPLETE	1 PC.	
238		JM23500116	BRUSH COVER	2 PC.	
239	2	JM23500117	CARBON BRUSH 2PCS/SET	1 SET	

240		JM23100190	SPECIAL WASHER 6	4 PC.
241		JM23500118	CROSS HEAD SCREW M6X60	4 PC.
242	1	JM23100192	SOFT STARTER	1 PC.
	2	JM23500138	SOFT STARTER	1 PC.
243		JM23500119	MOTOR REAR COVER	1 PC.
244		JM23100167	SELF TAPPING SCREW M4X16	2 PC.
245		JM23500121	RIGHT HANDLE	1 PC.
246		JM23100007	FLAT WASHER 5	3 PC.
247		JM23500123	CROSS HEAD SCREW M5X40	3 PC.
248		JM23100167	SELF TAPPING SCREW M4X16	3 PC.
249		JM23500124	SWITCH BRACKET	1 PC.
250		JM23500125	LASER SWITCH	1 PC.
251		JM23500126	LASER SWITCH PROTECTIVE COVER	1 PC.
252		JM23500120	ST CROSS HEAD SCREW 4.2X28	2 PC.
253		JM23500107	LEFT HANDLE	1 PC.
254		JM23580018	NAMEPLATE - removed	1 PC.
255		JM00000038	* EXTENSION TABLE ASSEMBLY	2 PC.
	INC.		* Item No. 277, 278	PC.
256		JM2708B060	* CAUTION LABEL	2 PC.
257		JM23100034	HEX BOLT M6X28	1 PC.
258		JM23100035	ANTI-LOOSEN RING	1 PC.
259		JM23100034	HEX BOLT M6X28	1 PC.
260		JM23100035	ANTI-LOOSEN RING	1 PC.
261		JM23100087	LOCK SCREW M6X8	2 PC.
262		JM23100081	BUFFER A	2 PC.
263		JM23500089	LINEAR BEARING	3 PC.
264		JM23500092	BEARING GASKET	2 PC.
265		JM23500090	SUPPORT ARM	1 PC.
266		JM23500091	ANGLE LIMIT	1 PC.
267		JM23100019	CROSS HEAD SCREW M4X18	1 PC.
268		JM23100016	FLAT WASHER 4	1 PC.
269		JM23500038	BLADE FLANGE	1 PC.
271		JM23500046	UP BLADE GUARD	1 PC.
272		JM23100114	LINK PIN	1 PC.
273		JM23100147	BUFFER	1 PC.
274		JM23100019	CROSS HEAD SCREW M4X18	1 PC.
275		JM23100016	FLAT WASHER 4	1 PC.
276		JM23100016	FLAT WASHER 4	2 PC.
277		JM00000259	WING BOLT M6X14	2 PC.
278		JM00000260	LEVELING FOOT BOLT M8X54	2 PC.

ACCESSORIES

A02		A-95934	8-1/2" C.T. SAW BLADE 48T 5/8"	1 PC.
A03		JM23510009	WISE ASSEMBLY	1 PC.
	INC.	JM23500098	GUIDE ROD	1 PC.
	INC.	JM23100152	WING KNOB,M6X10	1 PC.
	INC.	JM23500099	CLAMP KNOB	1 PC.
	INC.	JM27000218	WISE ARM	1 PC.
	INC.	JM27000219	WISE PLATE	1 PC.
	INC.	JM23100065	CROSS HEAD SCREW M4X8	1 PC.
	INC.	JM23100016	FLAT WASHER 4	1 PC.
	INC.	JM23100015	SPRING WASHER 4	1 PC.
A04		JM23510010	DUST BAG ASSY	1 PC.
	INC.	JM23500100	DUST BAG BEAM	1 PC.
	INC.	JM23500101	DUST BAG CLAMP	1 PC.
	INC.	JM23500102	DUST BAG	1 PC.
A05		JM27000328	TRIANGLE PLATE	1 PC.
A06	2	JM23100197	BOX WRENCH 13-3	1 PC.
A07	1	194061-1	BENCHTOP MITER SAW STAND B (Parts Breakd	1 PC.
	2	198688-9	BENCHTOP MITER SAW STAND B	1 PC.
A08		WST05	MITRE SAW STAND SET (See Parts Breakdown 1	1 PC.
A09		WST06	MITRE SAW STAND SET (See Parts Breakdown 1	1 PC.
A10		198687-1	MITRE SAW STAND SET WST01	1 PC.

SERVICE CHANGES

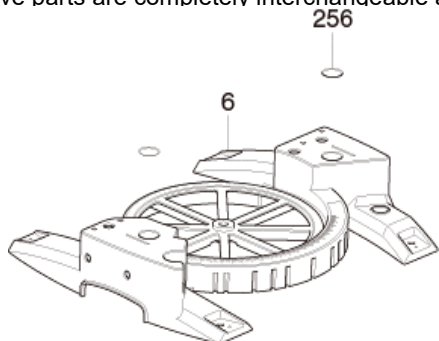
1. Changes on BASE COMPLETE

(Y08276)

Item No.	Description	Type 1	Type 2
006	BASE COMPLETE	JM23510014	JM23510001
006	MITER SCALE LABEL	JM23500010	-----
006	CAUTION LABEL	JM2708A060	-----
006	BASE	JM23500011	-----
006	CAUTION LABEL	JM2318B063	-----
006	CAUTION LABEL	JM2318A064	-----
256	CAUTION LABEL	-----	JM2708B060

Component of Item No. 6

Above parts are completely interchangeable as a set.



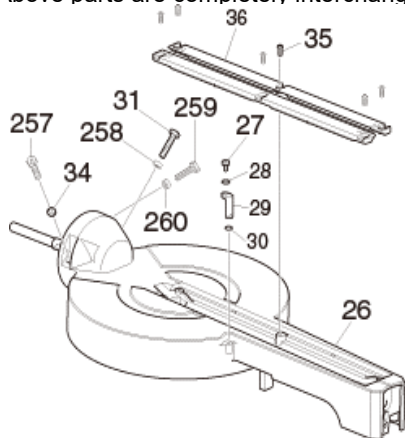
2. Changes on WORKING TABLE COMPLETE

(Y08276)

Item No.	Description	Type 1	Type 2
026	WORKING TABLE COM.	JM23510017	JM23510002
026	BEVEL SCALE LABEL	JM23500017	-----
026	LOCKING ROD	JM23500018	-----
026	WORKING TABLE	JM23500019	-----
026	CAUTION LABEL	JM23180067	-----
026	ELASTIC PIN 4X30	JM23500020	
026	HEX NUT M10	JM23500021	

Component of Item No. 26

Above parts are completely interchangeable as a set.



3. Changes on MOTOR HOUSING COMPLETE (Y08276)

Item No.	Description	Type 1	Type 2
237	MOTOR HOUSING COM.	JM23510022	JM23510012
237	MOTOR HOUSING	JM23500114	-----
237	BRUSH HOLDER	JM23500115	-----
237	HS SCREW M5X8	JM23100185	-----
237	CAUTION LABEL	JM23180061	-----
237	CAUTION LABEL	JM23180062	-----

Component of Item No. 237

Above parts are completely interchangeable as a set.

4. Changes on HOLDER, EXTENSION TABLE ASSY, KNOB F/EXT. WING, RIP FENCE, SUB FENCE (Y08275)

Item No.	Description	Type 1	Type 2
A01	HOLDER	JM23000127	-----
002	HOLDER	-----	JM23000127
255	EXTENSION TABLE ASSY	-----	JM00000038
007	KNOB FOR EXT. WING	JM23100013	JM00000074
040	RIP FENCE	JM23500026	JM00000081
044	SUB FENCE	JM23500025	JM00000080

Above parts are completely interchangeable as a set.

