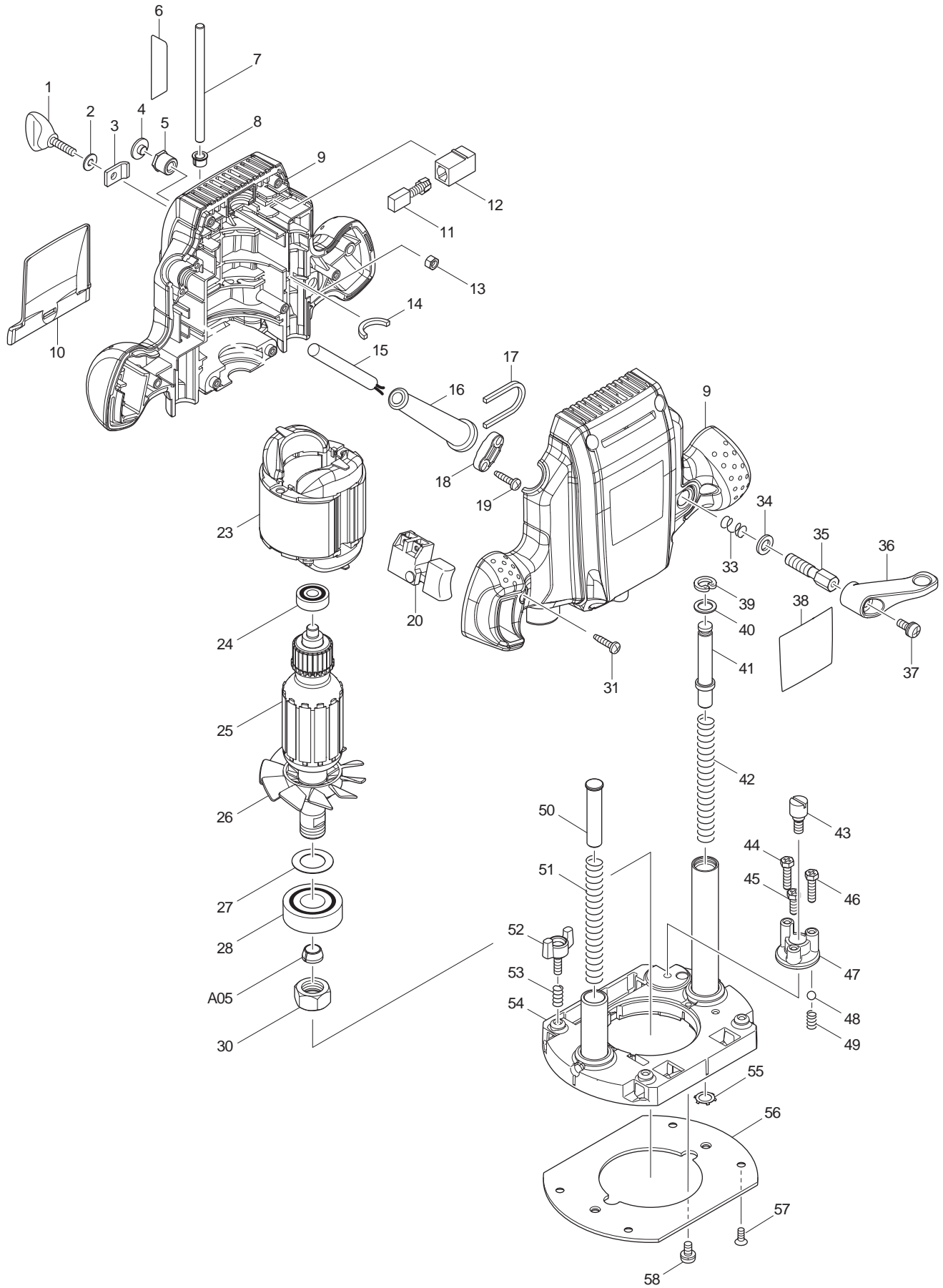




09 - 2010
RP0900K
1/4" ROUTER



Item No	Type	Ref	Part No	Description	Qty	Unit
001			251878-6	SCREW M5X20	1	PC.
002			941101-4	FLAT WASHER 5	1	PC.
003			346007-5	PRESSURE PLATE	1	PC.
005			252094-3	HEX. NUT M8	1	PC.
006			816925-6	SCALE LABEL	1	PC.
007			321948-6	STOPPER POLE	1	PC.
008			451035-8	DEPTH POINTER	1	PC.
009			188696-8	HOUSING SET	1	SET
		INC.	263002-9	RUBBER PIN 4	3	PC.
		INC.	263005-3	RUBBER PIN 6	1	PC.
		INC.		* Item No. 13, 32	1	PC.
010			450820-6	CHIP DEFLECTOR	1	PC.
011	2		194977-0	CARBON BRUSH CB-107, 2PCS/SET (W/ ORIGIN)	1	SET
012			643601-7	BRUSH HOLDER 6-10	2	PC.
013			931202-6	HEX. NUT M5	1	PC.
014			443073-4	FELT	1	PC.
015			664891-9	CORD WITH PLUG 2P-18-2.5M SJ	1	PC.
016			682569-2	CORD GUARD 8-85	1	PC.
017			443074-2	FELT	1	PC.
018			687123-7	STRAIN RELIEF	1	PC.
019			266326-2	TAPPING SCREW 4X18	2	PC.
020			651280-7	SWITCH SGE115CDY-5, SINGLE	1	PC.
023			594591-6	FIELD ASSEMBLY 115V	1	PC.
		INC.	654037-5	INSULATED EYE TERMINAL FT1.25-M3	2	PC.
024	2		210200-6	BALL BEARING 608DDW	1	PC.
025			513776-5	ARMATURE ASSEMBLY 115V	1	PC.
		INC.		Item No. 24, 26, 27, 28	1	PC.
026	2		240123-4	FAN 72	1	PC.
027			267114-0	FLAT WASHER 17	1	PC.
028			211278-2	BALL BEARING 6203DDW	1	PC.
030			763615-1	COLLET NUT	1	PC.
031			266326-2	TAPPING SCREW 4X18	7	PC.
033			233110-0	COMPRESSION SPRING 8	1	PC.
034			941202-8	FLAT WASHER 8	1	PC.
035	2		266920-0	SET BOLT M8	1	PC.
036			450821-4	LEVER 47	1	PC.
037			911213-7	PAN HEAD SCREW M5X12	1	PC.
038			866313-7	RP0900 NAME PLATE	1	PC.
039			962065-9	RETAINING RING R-15	1	PC.
040			267047-9	FLAT WASHER 10	1	PC.
041	2		451524-3	PIN 10	1	PC.
042			231416-0	COMPRESSION SPRING 10	1	PC.
043			251447-3	- FLAT HEAD SCREW M6	1	PC.
044			265587-1	+HEX. BOLT M5X20	1	PC.
045			265586-3	+HEX. BOLT M5X14	1	PC.
046			265587-1	+HEX. BOLT M5X20	1	PC.
047			135264-8	STOPPER ASSEMBLY	1	PC.
		INC.		* Item No. 43, 44, 45, 46	1	PC.
048			216022-2	STEEL BALL 7.0	1	PC.
049			231419-4	COMPRESSION SPRING 5	1	PC.
050			256651-9	PIN 10	1	PC.
051			231417-8	COMPRESSION SPRING 10	1	PC.
052			265761-1	THUMB SCREW M5X16	2	PC.

Item No	Type	Ref	Part No	Description	Qty	Unit
053			231240-1	COMPRESSION SPRING 7	2	PC.
054			158808-7	BASE COMPLETE	1	PC.
055			259019-8	SELF LOCK 15	2	PC.
056			450819-1	BASE PLATE	1	PC.
057			912112-6	COUNTERSUNK HEAD SCREW M4X10	4	PC.
058			911206-4	PAN HEAD SCREW M5X10	2	PC.
100			849894-6	CARTON F/RP0900K	1	PC.
200			652008-6	PAN HEAD SCREW M3.5X7	2	PC.
201			654037-5	INSULATED EYE TERMINAL FT1.25-M3	4	PC.
202			654509-0	CONNECTOR 2-SD	1	PC.

ACCESSORIES - See catalogue or visit www.makita.ca for more accessories information -

A01			164834-6	STRAIGHT GUIDE	1	PC.
A02			781006-4	WRENCH 13	1	PC.
A03			781011-1	WRENCH 22	1	PC.
A04			824880-8	PLASTIC CARRYING CASE	1	PC.
		INC.	163455-1	LATCH	2	PC.
A05			763637-1	COLLET CONE 1/4"	1	PC.
	Opt.		763619-3	COLLET CONE 3/8"	1	PC.
A06			122385-5	TRIMMER GUIDE ASS'Y	1	PC.
A08			321492-3	TEMPLER GUIDE ADAPTER 30	1	PC.
A09			252627-4	NUT M30	1	PC.
A10			193043-0	TEMPLER GUIDE 16, SKIN PACK	1	PC.
A11	2		193312-9	STRAIGHT GUIDE, W/MICRO ADJUSTMENT, STEEL	1	PC.
		INC.	193292-9	ROD 8 SET, 2PC/SET	1	SET
		INC.	193359-3	ROD 12 SET, 2PC/SET	1	SET
		INC.	193360-8	ROD 7 SET, 2PC/SET	1	SET
A12			P-80011	DUST NOZZLE SET	1	PC.
A13			193235-1	TEMPLER GUIDE 1"(USE WITH 321492-3)	1	PC.
A14			-----	DOVETAIL ROUTER BITS		
A16			345387-6	TEMPLER GUIDE 5/8" Use F/KJ150	1	PC.

SERVICE CHANGES

1. Changes on M8 Set Bolt for Housing Set (TI#A3877)

Item No	Description	Type 1	Type 2
35	M8 Set Bolt	266460-8	266920-0
4	Rubber Cap	424156-9	-----

Above parts are completely interchangeable as a set.

