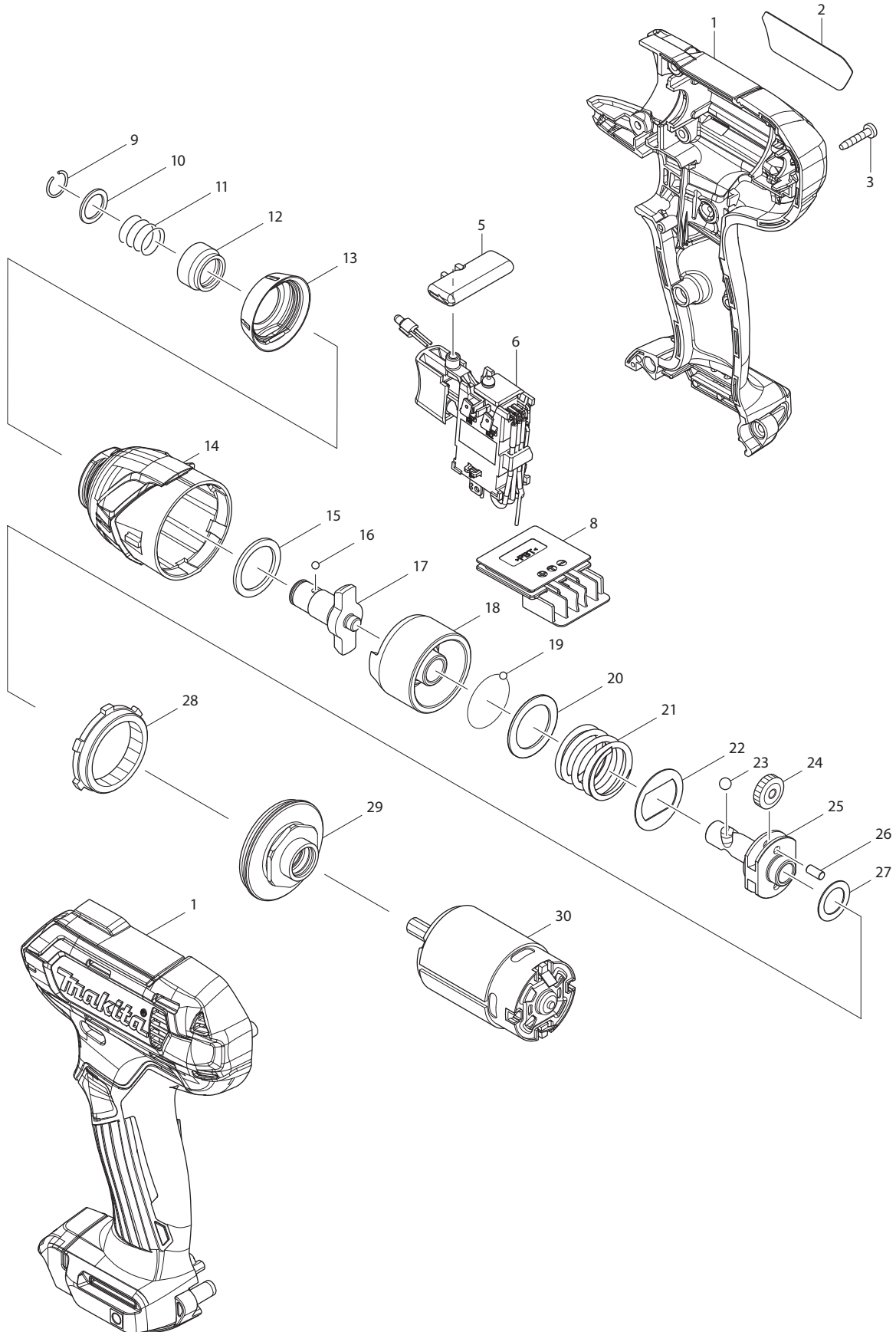




09 - 2015
TD110DSYE / TD110DZ
12V IMPACT DRIVER



Item No.	Type	Ref	Part No.	Description	Qty	Unit
001			183B49-8	HOUSING SET	1	PC.
		INC.	252126-6	HEX. LOCKING NUT M4-7	2	PC.
002			851G85-9	NAME PLATE F/TD110D	1	PC.
003			266429-2	TAPPING SCREW 3X16	8	PC.
005			456039-5	F/R CHANGE LEVER	1	PC.
006	1		632F43-6	SWITCH UNIT	1	PC.
	2		632J77-3	SWITCH UNIT	1	PC.
		INC.	620625-0	LED CIRCUIT	1	PC.
008			644813-5	TERMINAL	1	PC.
009			231965-7	RING SPRING 10	1	PC.
010			267143-3	FLAT WASHER 11	1	PC.
011			233005-7	COMPRESSION SPRING 13	1	PC.
012			324711-6	BIT SLEEVE	1	PC.
013			424737-9	BUMPER	1	PC.
014			143277-5	HAMMER CASE COMPLETE	1	PC.
015			261140-1	NYLON WASHER 20	1	PC.
016			216019-1	STEEL BALL 3	2	PC.
017			324895-0	ANVIL M	1	PC.
018			324894-2	HAMMER	1	PC.
019			216019-1	STEEL BALL 3	24	PC.
020			267380-9	FLAT WASHER 20	1	PC.
021			234064-4	COMPRESSION SPRING 21	1	PC.
022			267813-4	WASHER 21	1	PC.
023			216002-8	STEEL BALL 4.8	2	PC.
024			227213-0	SPUR GEAR 17	2	PC.
025			324897-6	SPINDLE	1	PC.
026			268217-3	PIN 3.5	2	PC.
027			253052-2	FLAT WASHER 12	1	PC.
028			227215-6	INTERNAL GEAR 43	1	PC.
029			158671-8	BEARING BOX COMPLETE	1	PC.
030			629163-9	DC MOTOR	1	PC.
100			266622-8	+ TRUSS HEAD SCREW M4X12 F/HOOK (Item A02)	1	PC.
C01			878305-4	CARTON F/TD110DZ	1	PC.
E01			807H20-1	CAUTION LABEL	1	PC.
<u>ACCESSORIES</u>			- Visit www.makita.ca for more accessories information -			
A02			346909-5	HOOK F/ 12V LI-ION SLIDE TYPE BATTERY	1	PC.
A03			784244-7	(+) DOUBLE END BIT #2-50	1	PC.
A04			456128-6	BATTERY COVER F/ 12V LI-ION SLIDE TYPE BATTERY	1	PC.
A05			DC10SB	RAPID CHARGER DC10SB	1	PC.
A06			----	12V MAX LI-ION BATTERY, SLIDE TYPE	2	PC.
A07			821661-1	PLASTIC CARRYING CASE	1	PC.
		INC	417724-5	LATCH	2	PC.
A08			----	BIT		
A09			T-02272	HOLSTER	1	PC.
			168467-9	HOLSTER	1	PC.