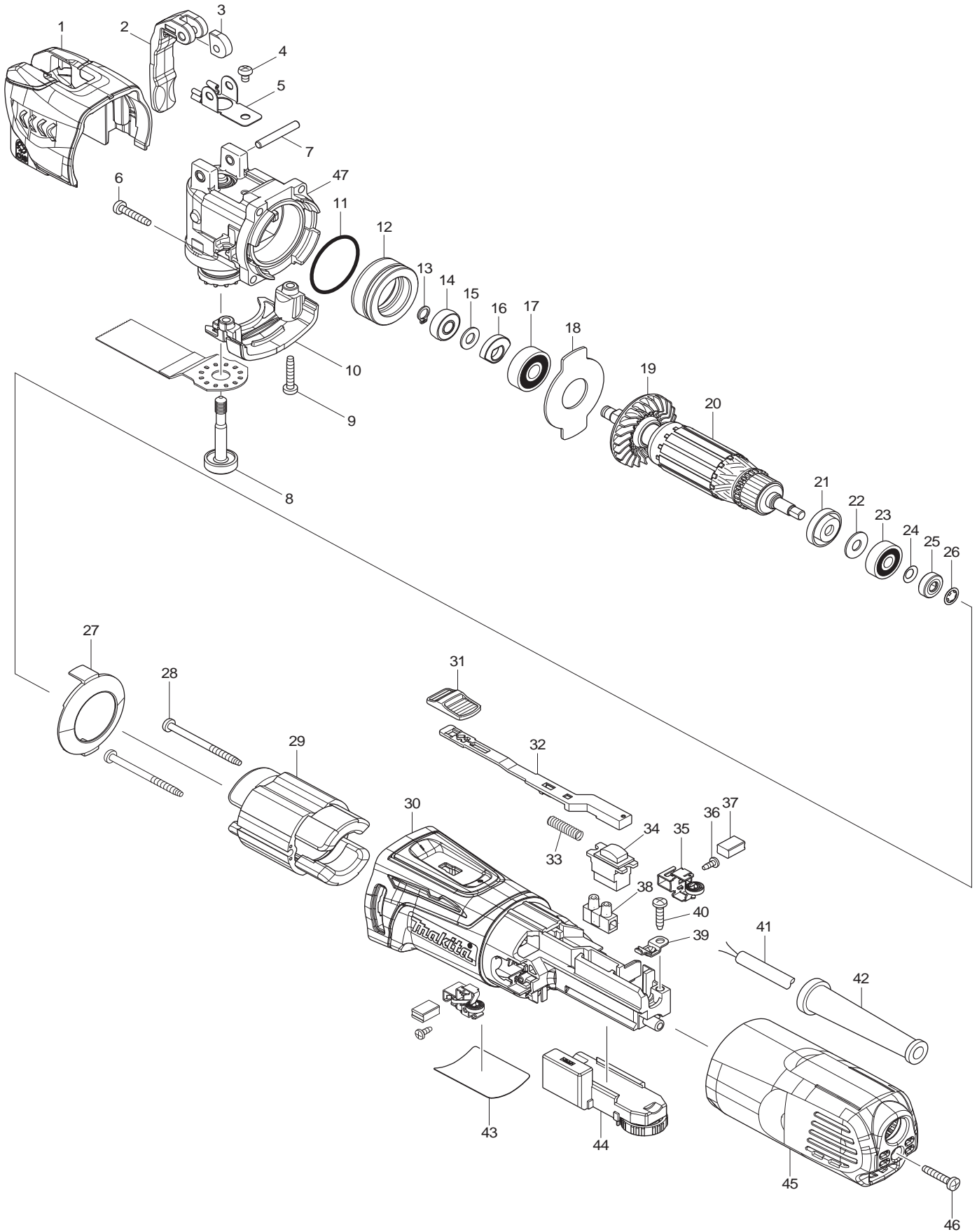




07 - 2013  
TM3010CX3  
MULTI-TOOL, TOOLLESS



Item No	Type	Part No	Description	Qty	Unit
001	2	455272-6	UPPER HEAD COVER	1	PC.
002		319059-9	LEVER	1	PC.
003		313268-2	TURN BLOCK	1	PC.
004		911102-6	PAN HEAD SCREW M4X6	1	PC.
005		232282-8	LEAF SPRING	1	PC.
006		266424-2	TAPPING SCREW 4X20	4	PC.
007		268306-4	PIN 5	1	PC.
008	1	326346-9	HOLDER BOLT	1	PC.
	2	327176-1	HOLDER BOLT	1	PC.
009		266424-2	TAPPING SCREW 4X20	2	PC.
010		454635-3	LOWER HEAD COVER	1	PC.
011		213343-3	O RING 35	1	PC.
012		326347-7	BEARING BOX	1	PC.
013		961003-8	RETAINING RING S-7	1	PC.
014	2	210164-4	* SPHERE BEARING 706	1	PC.
015		253133-2	FLAT WASHER 7	1	PC.
016		313245-4	BALANCER	1	PC.
017		211092-6	BALL BEARING 629DDW	1	PC.
018		285857-2	BEARING RETAINNER	1	PC.
019		240140-4	FAN 46	1	PC.
020		517681-8	ARMATURE ASSEMBLY 115V	1	PC.
	INC.		Item. 19,21-26		
021		681636-0	INSULATION WASHER	1	PC.
022		267426-1	FLAT WASHER 7	1	PC.
023		210023-2	BALL BEARING 627DDW	1	PC.
024		267756-0	WAVE WASHER 6	1	PC.
025	2	688117-5	MAGNET SLEEVE	1	PC.
026		259039-2	SELF LOCK 6	1	PC.
027		453828-9	BAFFLE PLATE	1	PC.
028		266415-3	TAPPING SCREW 4X55	2	PC.
029		623556-2	FIELD 115V	1	PC.
030		453823-9	MOTOR HOUSING	1	PC.
031		453761-5	SWITCH KNOB	1	PC.
032		453825-5	SWITCH LEVER	1	PC.
033		234263-8	COMPRESSION SPRING 5	1	PC.
034		651609-7	SWITCH SS106A-7-1	1	PC.
035		643839-4	BRUSH HOLDER 6X9	2	PC.
036		266492-5	TAPPING SCREW 3X8	2	PC.
037		195025-8	CARBON BRUSH CB-458	1	SET
038		654532-5	TERMINAL BLOCK 1P	1	PC.
039		687681-3	STRAIN RELIEF	1	PC.
040		266326-2	TAPPING SCREW 4X18	1	PC.
041		664891-9	CORD WITH PLUG 2P-18-2.5M SJ	1	PC.
042		682569-2	CORD GUARD 8-85	1	PC.
043		814T82-4	NAME PLATE F/TM3010C	1	PC.
044		620232-9	CONTROLLER	1	PC.
045		453824-7	REAR COVER	1	PC.
046		266424-2	TAPPING SCREW 4X20	1	PC.
047	2	143249-0	CRANK HOUSING COMPLETE	1	PC.
100		654258-9	EARTH TERMINAL	1	PC.

**ACCESSORIES**

- See Catalogue or visit [www.makita.ca](http://www.makita.ca) for more accessories -

A01	2	143308-0	ACCESSORY TOOL BOX COMPLETE	1	PC.
-----	---	----------	-----------------------------	---	-----

Item No	Type	Part No	Description	Qty	Unit
		INC. 454652-3	LATCH	1	PC.
A02		821592-4	PLASTIC CARRYING CASE	1	PC.
		INC. 162315-4	LATCH	1	PC.
		INC. 452137-3	HANDLE	1	PC.
A03		196271-6	ADAPTER A SET	1	PC.
A04		313249-6	ADAPTER C	1	PC.
A05		B-21353	SAW BLADE, PLUNGE CUT BIM 1-1/8" TMA009	1	PC.
A06		B-21565	ABRASIVE PAPER DELTARED LONG RED 60G-10PK	1	SET
A07		B-21593	ABRASIVE PAPER DELTARED LONG RED 120G-10PK	1	SET
A08		B-22931	ABRASIVE PAPER DELTARED LONG RED 240G-10PK	1	SET
A09	2	B-46202	SANDING PAD	1	PC.
	3	B-67169	SANDING PAD	1	PC.
A10	1	196550-2	DUST ATTACHMENT SET	1	PC.
		INC. 443177-2	FELT RING 37	1	PC.
		INC. 453832-8	JOINT	1	PC.
		INC. 453835-2	NOZZLE BAND A	1	PC.
		INC. 454636-1	DUST ATTACHMENT	1	PC.
		INC. 454637-9	DUST NOZZLE D	1	PC.
	2	199624-8	DUST ATTACHMENT SET	1	PC.
		INC. 443177-2	FELT RING 37	1	PC.
		INC. 453832-8	JOINT	1	PC.
		INC. 453835-2	NOZZLE BAND A	1	PC.
		INC. 454636-1	DUST ATTACHMENT	1	PC.
		INC. 454637-9	DUST NOZZLE D	1	PC.
		INC. 422362-0	FELT RING 47 (added)	1	PC.
		INC. 459362-7	SPACER (added)	1	PC.
A11		B-21272	SAW BLADE, SEGMENT BIM 3-1/4"	1	PC.
A12		B-21294	SAW BLADE, ROUND BIM, 3-1/4"	1	PC.
A13		B-21319	SAW BLADE, SEGMENT BIM 4"	1	PC.
A14		B-21325	SAW BLADE, SEGMENT BIM 3-1/2"	1	PC.
A15		B-21331	SAW BLADE, SEGMENT BIM 3-1/2"	1	PC.
A16		B-21347	SAW BLADE, PLUNGE CUT BIM 2-1/2"	1	PC.
A17	2	B-67072	SAW BLADE, PLUNGE CUT BIM 1-1/4"	1	PC.
A18	2	B-67066	SAW BLADE, PLUNGE CUT HCS 1-1/4"	1	PC.
A19		B-21397	SAW BLADE, PLUNGE CUT HCS 3/4"	1	PC.
A20		B-21406	SAW BLADE, PLUNGE CUT HCS 3/8"	1	PC.
A21		B-21428	SAW BLADE, PLUNGE CUT BIM 3/4"	1	PC.
A22		B-21434	SAW BLADE, PLUNGE CUT BIM 3/8"	1	PC.
A23		B-21440	SCRAPER, RIGID HCS 2"	1	PC.
A24		B-21456	SCRAPER, FLEXIBLE HCS 2"	1	PC.
A25		B-21462	SEG BLADE, SERRATED HCS 4"	1	PC.
A26		B-21478	GENERAL JOINT CUTTER, HCS, 2"	1	PC.
A27		B-21484	HM REMOVER, 40G, 2-1/2"	1	PC.
A28		B-21490	SAW BLADE, HM SEG 3-1/2"x1/8"	1	PC.
A29		B-21509	SAW BLADE, HM SEG 2-1/2"x1/16"	1	PC.
A30		B-21515	SANDING PLATE, HM 3"	1	PC.
A31		B-21521	SAW BLADE, DIAMOND SEG 3-1/2"x1/8"	1	PC.
A32		B-21559	ABR PAPER D.RED ASSORT 10PK	1	SET
A33		B-21571	ABRASIVE PAPER DELTARED LONG RED 80G-10PK	1	SET
A34		B-21587	ABRASIVE PAPER DELTARED LONG RED 100G-10PK	1	SET
A35		B-21602	ABRASIVE PAPER DELTARED LONG RED 180G-10PK	1	SET
A36		B-21674	ABRASIVE PAPER DELTARED LONG WHITE ASSORT 10PK	1	SET
A37		B-21680	ABRASIVE PAPER DELTARED LONG WHITE 60G-10PK	1	SET
A38		B-21696	ABRASIVE PAPER DELTARED LONG WHITE 80G-10PK	1	SET

Item No	Type	Part No	Description	Qty	Unit
A39		B-21705	ABRASIVE PAPER DELTARED LONG WHITE 100G-10PK	1	SET
A40		B-22969	ABRASIVE PAPER DELTARED LONG WHITE 120G-10PK	1	SET
A41		B-21711	ABRASIVE PAPER DELTARED LONG WHITE 240G-10PK	1	SET
A42		B-21727	ABRASIVE PAPER DELTARED LONG WHITE 320G-10PK	1	SET
A43		B-21733	ABRASIVE PAPER DELTARED LONG BLACK ASSORT 10PK	1	SET
A44		B-21749	ABRASIVE PAPER DELTARED LONG BLACK 120G-10PK	1	SET
A45		B-21755	ABRASIVE PAPER DELTARED LONG BLACK 240G-10PK	1	SET
A46		B-21761	ABRASIVE PAPER DELTARED LONG BLACK 400G-10PK	1	SET
A47		B-21777	ABRASIVE PAPER DELTARED LONG BLACK 600G-10PK	1	SET
A48		B-21783	ABRASIVE PAPER DELTARED LONG BLACK 1200G-10PK	1	SET
A49		B-21799	FLEECE DELTA MEDIUM 100	1	PC.
A50		B-21808	FLEECE DELTA COARSE 280	1	PC.
A51		B-21814	FLEECE DELTA W/O GRIT	1	PC.
A52		B-21820	HARD POLISH FELT DELTA 94MM	1	PC.
A55		B-34827	KNIFE BLADE, SEG BIM 4"	1	PC.
A56		B-50712	STRAIGHT JOINT CUTTER HCS 1-1/4" TMA044	1	PC.