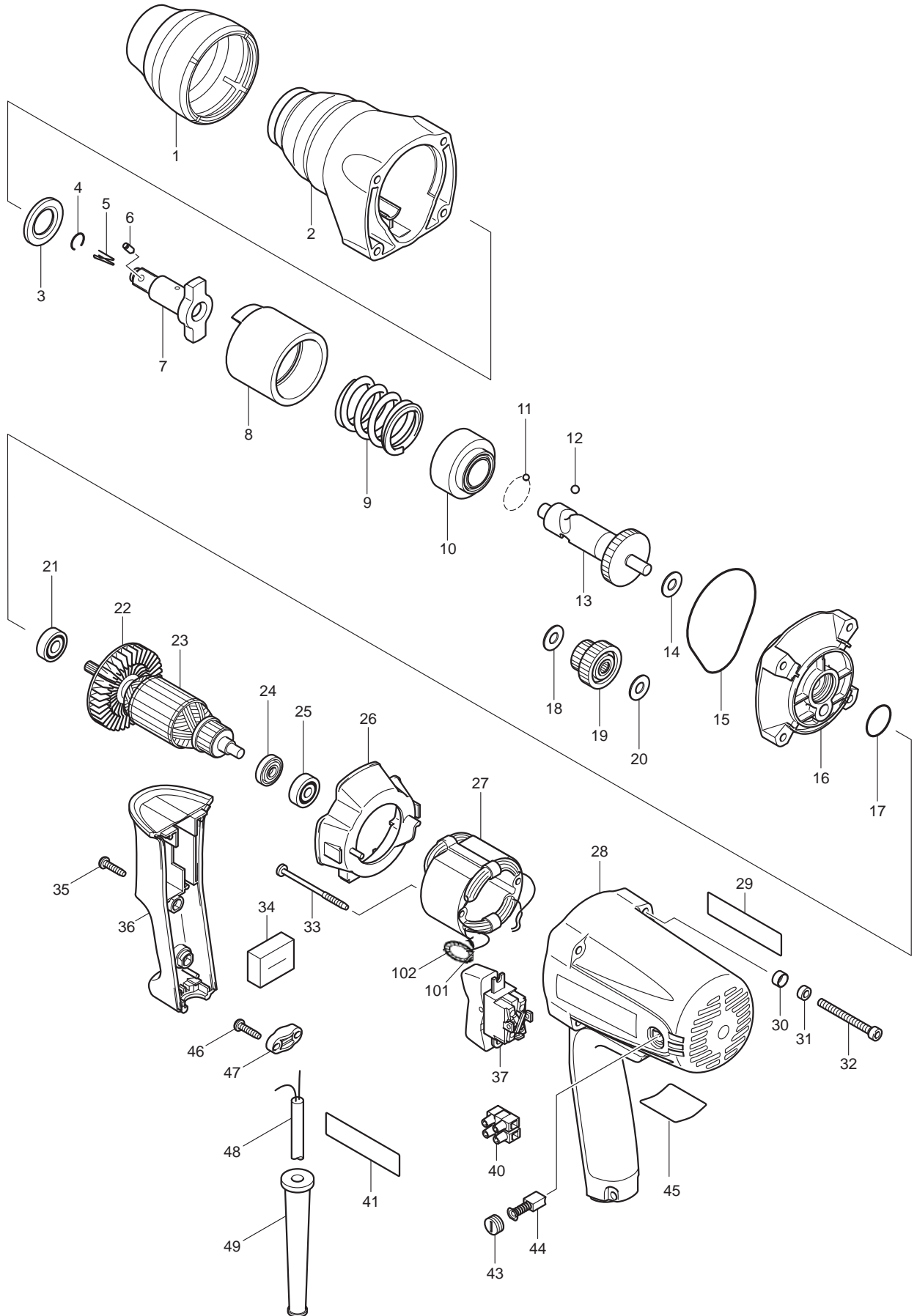




11 - 2009
TW0350
1/2" IMPACT WRENCH



Item No	Type	Sub	Part No	Description	Qty	Unit
001			421837-6	BUMPER	1	PC.
002			153623-4	HAMMER CASE COMPLETE	1	PC.
		INC.	213257-6	OIL SEAL 18	1	PC.
		INC.	321119-5	SLEEVE 18	1	PC.
003			267268-3	FLAT WASHER 19	1	PC.
005			322045-1	CLIP	1	PC.
006	2		268098-5	PIN 4 (FLAT HEAD)	1	PC.
007	1		324405-3	ANVIL	1	PC.
	2		326982-1	ANVIL	1	PC.
008			324336-6	HAMMER	1	PC.
009			233383-5	COMPRESSION SPRING 28	1	PC.
010			313115-7	SPRING HOLDER	1	PC.
011			216008-6	STEEL BALL 4	19	PC.
012			216007-8	STEEL BALL 6.4	2	PC.
013			324338-2	SPINDLE	1	PC.
014			253139-0	FLAT WASHER 8	1	PC.
015			421838-4	SEAL RING	1	PC.
016			153624-2	HAMMER CASE COVER COMPLETE	1	PC.
017			213373-4	O RING 22	1	PC.
018			253139-0	FLAT WASHER 8	1	PC.
019			153626-8	SPUR GEAR 19-41 COMPLETE	1	PC.
020			253139-0	FLAT WASHER 8	1	PC.
021			210024-0	BALL BEARING 608LLU	1	PC.
022			241884-9	FAN 60	1	PC.
023			515261-4	ARMATURE ASS'Y 115V	1	PC.
		INC.		Item No. 21,22,24,25		
024			681614-0	INSULATION WASHER	1	PC.
025			210025-8	BALL BEARING 627LLB	1	PC.
026			418180-2	BAFFLE PLATE	1	PC.
027			625161-1	FIELD 115V	1	PC.
028	2		153625-0	MOTOR HOUSING	1	PC.
		INC.	643455-2	BRUSH HOLDER 6X9	2	PC.
030			253929-1	CUP WASHER 5	4	PC.
031			262001-8	URETHANE RING 5	4	PC.
032			266331-9	HEX. SOCKET HEAD BOLT M5X50	4	PC.
033			266091-3	TAPPING SCREW 4X50	2	PC.
035			265995-6	TAPPING SCREW 4X18	2	PC.
036			418179-7	HANDLE COVER	1	PC.
037			651572-4	SWITCH SL220SD-19	1	PC.
040			654531-7	TERMINAL BLOCK 2P	1	PC.
043			643550-8	BRUSH HOLDER CAP 5-8	2	PC.
044	2		195008-8	CARBON BRUSH CB-408 2PC/SET (W/ ORIGIN)	1	SET
045			850644-4	NAME PLATE F/TW0350	1	PC.
046			265995-6	TAPPING SCREW 4X18	2	PC.
047			687063-9	CORD CLAMP (STRAIN RELIEF)	1	PC.
048			664064-4	CORD W/PLUG 2P-18-2.5M, SJ	1	PC.
049			682559-5	CORD GUARD 8	1	PC.
100			654037-5	INSULATED EYE TERMINAL FT1.25-M3	4	PC.
101			654501-6	TERMINAL P-1.25	2	PC.
102			654100-4	GARTER SPRING	2	PC.
E01			892672-3	CAUTION LABEL (SP)	1	PC.

- See catalogue or visit www.makita.ca for optional accessory -

Item No	Type	Sub	Part No	Description	Qty	Unit
A01			824702-2	PLASTIC CARRYING CASE	1	PC.
		INC.	186347-7	SLIDE LATCH SET	1	SET
A02			134874-8	EXTENSION BAR 12.7 ASSY	1	PC.
A03			134877-2	UNIVERSAL JOINT 1/2" - LARGE	1	PC.
A04			134873-0	BIT ADAPTOR ASSY	1	PC.
A05			194485-1	FLAT PIN 4 SET (See Instruction Manual 194485-1)	1	PC.
		INC.	268098-5	PIN 4 (FLAT HEAD)	1	PC.
		INC.	322045-1	CLIP	1	PC.
		INC.	345842-8	HOOK (Not available as an individual part)	1	PC.
A06			195871-9	DRILL BIT REMOVER SET	1	PC.

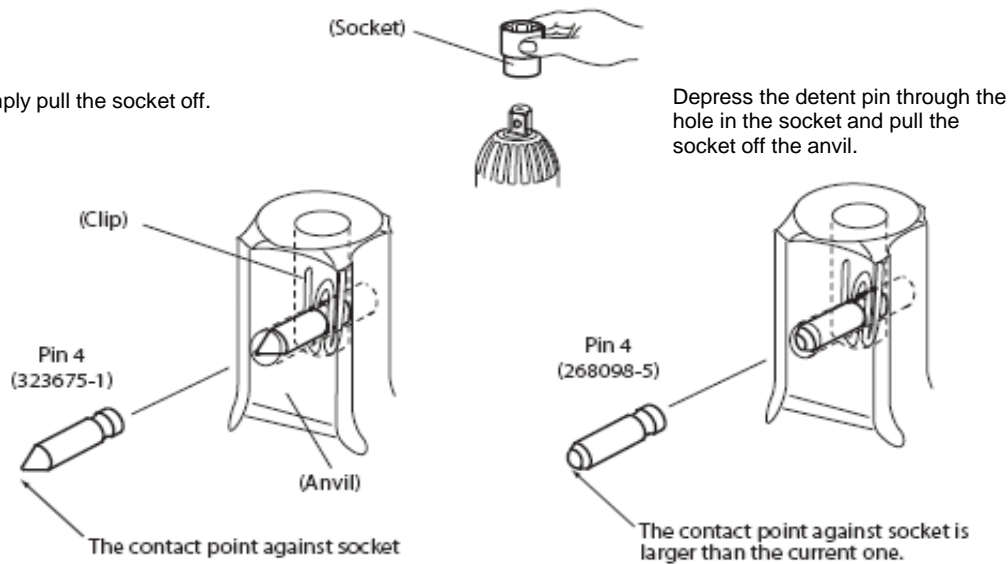
SERVICE CHANGES

1. Changes on Pin 4

(T/I# 76108)

Item No.	Description	Type 1	Type 2
6	PIN 4	323675-1 (Round head)	268098-5 (Flat head)

*For easy conversion, use Flat Pin 4 Set (194485-1) (Item No. A05).



2. Changes on Motor Housing

(T/I# 84418)

Item No.	Description	Type 1	Type 2
28	Motor Housing	323675-1 (Round head)	268098-5 (Flat head)
29, 41	Makita Mark	819064-1	-----

Above parts are completely interchangeable as a set.