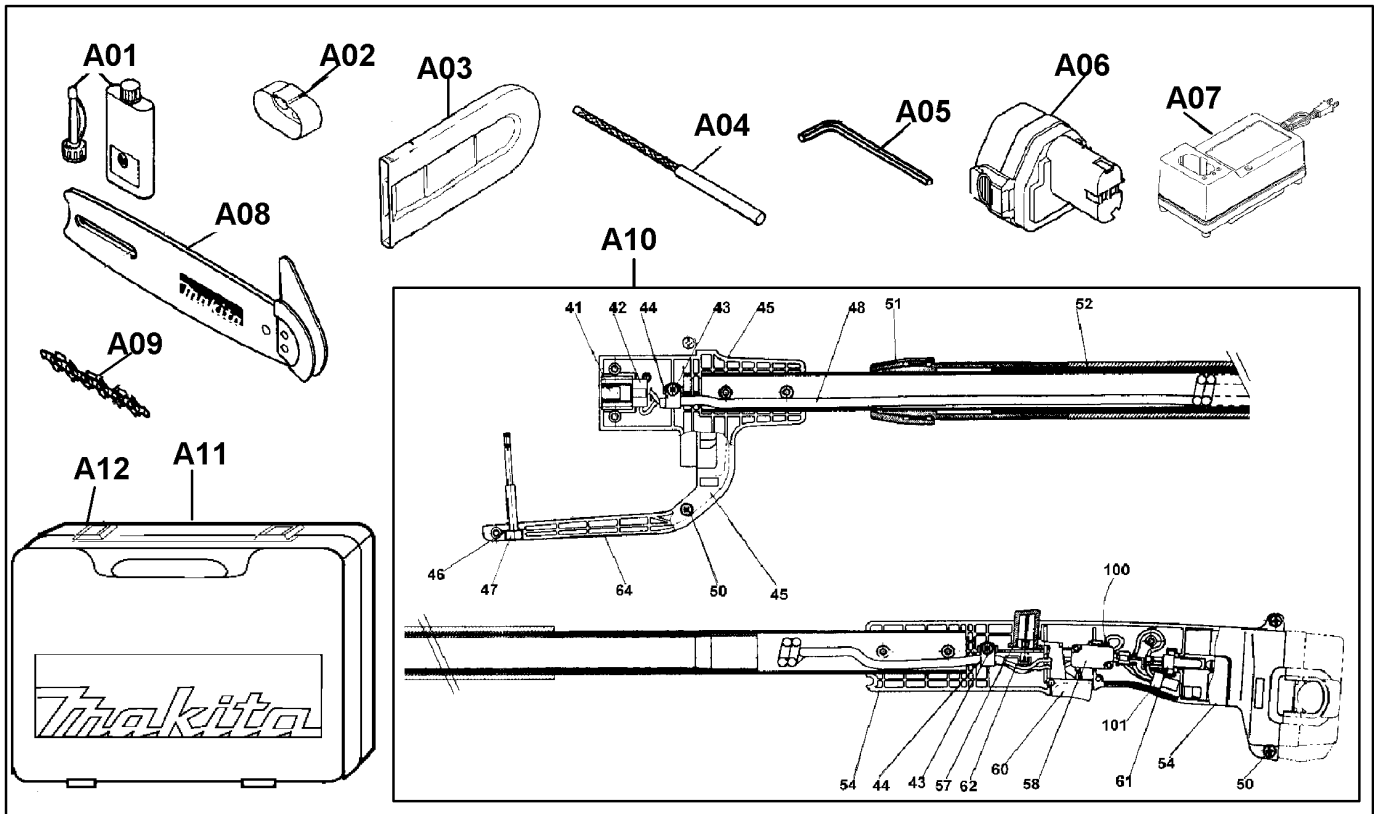


Item No.	Part No.	No. Used	Description	Item No.	Part No.	No. Used	Description
1	265995-6	9	Tapping Screw 4x18	15	651942-7	1	Switch
2	416308-6	1	Lock-Off Button	17	322954-4	1	Spindle
3	233194-8	1	Compression Spring 4	18	267729-3	1	Lock Washer 12
5	265995-6	2	Tapping Screw 4x18	19	221504-1	1	Sprocket 9
6	416312-5	1	Front Hand Guard	20	267729-3	1	Lock Washer 12
7	182923-5	1	Housing Set	21	961052-5	1	Retaining Ring S-12
8	416840-0	1	Switch Lever (Old 415679-8)	22	232170-9	1	Leaf Spring
9	643924-3	1	Battery Holder (Old 643909-9)	23	911148-2	3	P.H. Screw M4x25
10	221882-9	1	Spur Gear 15	25	416306-0	1	Sprocket Cover
11	629715-6	1	DC Motor (Includes Item 10)	26	922322-7	1	Hex Socket Head Bolt M6x16
12	911113-1	2	P.H. Screw M4x10	27	267173-4	1	Flat Washer 6
13	253811-4	1	Flat Washer 5	30	211031-6	1	Ball Bearing 608LLB
14	226131-9	1	Gear Com. 9-46	31	253215-0	1	Flat Washer 8

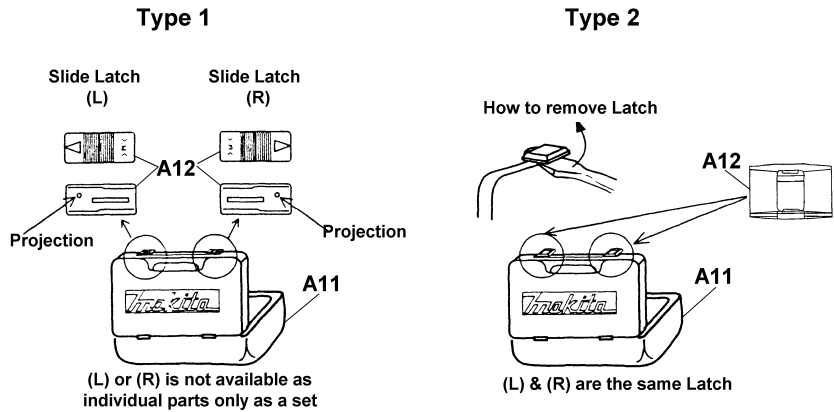


Item No.	Part No.	No. Used	Description	Item No.	Part No.	No. Used	Description
32	226478-1	1	Helical Gear 44	Accessories			
33	159982-4	1	Gear Housing Com.	A01	182229-1	1	Oil Supply 100cc
34	265995-6	3	Tapping Screw 4x18	A02	414938-7	1	Battery Cover
41	654184-2	2	Terminal Plate (Special Order Item)	A03	416311-7	1	Guide Bar Case
42	687096-4	1	Terminal Holder(Special Order Item)	A04	744003-1	1	File 4
43	266020-6	2	Tapping Screw 4X12	A05	783203-8	1	Hex Wrench 5
44	687048-5	2	Cord Clamp	A06	192598-2	1	12V High Capacity Battery 1222
45	183000-6	1	Connector Set (Special Order Item)	A07	DC1411	1	Fast Charger DC1410(For 7.2V ~ 14.4V 1.3Ah ~ 3.0Ah Batteries)
46	253186-1	1	Flat Washer 7		CAADC1412	1	12V Charger DC1412 (For 7.2V ~ 14.4V - 1.3Ah ~ 2.0Ah Batteries) (See DC1410 or DC1412for Part Breakdown)
47	150934-8	1	Hex Socket Head Bolt M6X30 (Special Order Item)	A08	158045-3	1	Guide Bar Com.
48	667802-3	1	Vinyl Cord (Special Order Item)	A09	791284-8	1	Chain Blade
50	265995-6	11	Tapping Screw 4X18	A10	192927-9	1	Pruning Extension Set (Includes Items 41 - 48, 50-52, 54, 57, 58, 60-62, 64, 100 & 101)
51	416551-7	1	Lock Ring (Special Order Item)	A11	*	1	Plastic Carrying Case (Includes Item A12)
52	151640-8	1	Pipe 30 Com. (Special Order Item)	A12	*	2	Slide Latch Set (2pcs) (Type 1)
54	182999-2	1	Grip Set (Special Order Item)		*	2	Snap Latch (Type 2)
57	416308-6	1	Lock-Off Button				
58	651942-7	1	Switch				
60	416840-0	1	Switch Lever				
61	643909-9	1	Battery Holder				
62	233194-8	1	Compression Spring 4				
64	816780-6	1	Indication Label (Special Order Item)				
100	654069-2	5-7	Receptacle				
101	654510-5	1	Insulated Connector 5.5-SD				
102	686015-7	1	Receptacle Sleeve				

* SEE SERVICE CHANGES

SERVICE CHANGES

1. Change on Latch on Plastic Carrying Case.



Item No.	Description	Type 1	Type 2
A11	Plastic Carrying Case	824491-9	
A12	Latch	186347-7 (Slide Latch Set)	417059-4 (Snap Lock)
	Serial #	~ July 1999	August 1999 ~

Above parts are completely interchangeable as themselves.