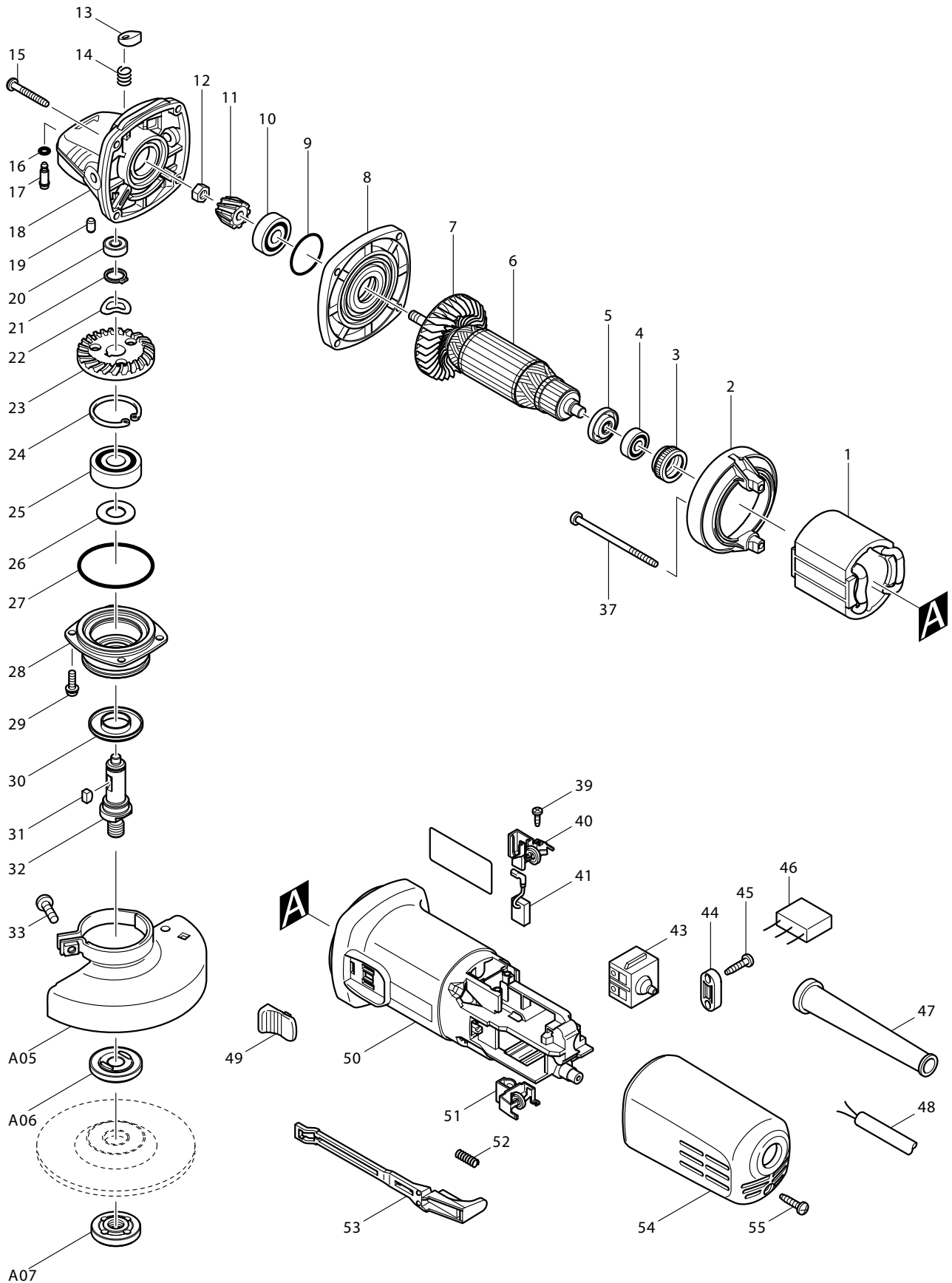




02 - 2008

9557NB

4-1/2" DISC GRINDER AS/DC



Item No.	Part No.	Description	Q'ty	Unit
1	621706-3	FIELD	1	PC.
2	418770-1	BAFFLE PLATE	1	PC.
3	421868-5	LABYRINTH RUBBER RING 19	1	PC.
4	210034-7	BALL BEARING 607LLB	1	PC.
5	681636-0	INSULATION WASHER	1	PC.
6	515611-3	ARMATURE ASSY (INCLUDES ITEMS 4, 5 & 7)	1	PC.
7	240076-7	FAN 56	1	PC.
8	317821-6	GEAR HOUSING COVER	1	PC.
9	213445-5	O-RING 26	1	PC.
10	210042-8	BALL BEARING 629LLB (OLD 210071-1, 210053-3)	1	PC.
11	227464-5	SPIRAL BEVEL GEAR 10	1	PC.
12	252186-8	HEX. NUT M6	1	PC.
13	417771-6	PIN CAP	1	PC.
14	233376-2	COMPRESSION SPRING 8	1	PC.
15	266361-0	TAPPING SCREW 4X30	4	PC.
16	213960-9	O RING 5	1	PC.
17	256486-8	SHOULDER PIN 4	1	PC.
18	317814-3	GEAR HOUSING	1	PC.
19	263002-9	RUBBER PIN 4	1	PC.
20	210033-9	BALL BEARING 696ZZ	1	PC.
21	961052-5	RETAINING RING S-12	1	PC.
22	267794-2	WAVE WASHER 12	1	PC.
23	227505-7	SPIRAL BEVEL GEAR 37(OLD 227465-3)	1	PC.
24	962151-6	RETAINING RING R-32	1	PC.
25	211129-9	BALL BEARING 6201DDW	1	PC.
26	267238-2	FLAT WASHER 12	1	PC.
27	213622-9	O RING 45	1	PC.
28	317819-3	BEARING BOX	1	PC.
29	265099-4	PAN HEAD SCREW M4X14	4	PC.
30	345464-4	LABYRINTH RING	1	PC.
31	254011-9	WOODRUFF KEY 4	1	PC.
32	324474-4	SPINDLE	1	PC.
33	265103-9	PAN HEAD SCREW M5X14	1	PC.
37	266345-8	TAPPING SCREW 4X80	2	PC.
39	266007-8	TAPPING SCREW BIND PT 3X10	4	PC.
40	643760-7	BRUSH HOLDER	1	PC.
41	194074-2	CARBON BRUSH CB-325	1	SET
42	418729-8	SPACER	1	PC.
43	650561-6	SWITCH APB-2114 DOUBLE	1	PC.
44	687052-4	STRAIN RELIEF	1	PC.
45	266326-2	TAPPING SCREW 4X18	2	PC.
47	682559-5	CORD GUARD 8	1	PC.
48	664895-1	CORD WITH PLUG 2P-18-4.0M	1	PC.

Item No.	Part No.	Description	Q'ty	Unit
49	419566-3	SWITCH KNOB (418769-6)	1	PC.
50	418725-6	MOTOR HOUSING	1	PC.
51	643760-7	BRUSH HOLDER	1	PC.
52	233121-5	COMPRESSION SPRING 4	1	PC.
53	418727-2	SWITCH LEVER A	1	PC.
54	418726-4	REAR COVER	1	PC.
55	266326-2	TAPPING SCREW 4X18	1	PC.

ACCESSORIES

A01	153489-2	GRIP 36 COM	1	PC.
A02	782422-3	LOCK NUT WRENCH 28	1	PC.
A03	824736-5	PLASTIC CARRYING CASE (INCLUDES ITEM A04) W/SLIDING LATCH (R & L)	1	PC. PC.
A04	182935-8	SLIDE LATCH (R.L) SET	1	PC.
A05	125273-5	WHEEL COVER ASSY F/4-1/2" (INCLUDES ITEM 33)	1	PC.
A06	224399-1	INNER FLANGE 45	1	PC.
A07	224568-4	LOCK NUT 5/8-45	1	PC.
A08	-----	DEPRESSED CENTER WHEEL/MULTI DISC	1	PC.
A09	743036-3	RUBBER PAD 76	1	PC.
A10	-----	4-1/2" ABRASIVE DISC	1	PC.
A11	224517-1	SANDING LOCK NUT 5/8 - 48	1	PC.
A12	-----	WIRE WHEEL BRUSH	1	PC.
A13	-----	WIRE CUP BRUSH	1	PC.
A14	122642-1	WHEEL GUARD FOR CUT-OFF WHEEL F/4-1/2"	1	PC.
A15	-----	4-3/8" CUT-OFF WHEEL	1	PC.
A17	-----	4-1/2" DIAMOND WHEEL	1	PC.